

# Milwaukee®

Nothing but **HEAVY DUTY**®



## M18 FH M18 FHX

Original instructions

Originalbetriebsanleitung

Notice originale

Istruzioni originali

Manual original

Oorspronkelijke gebruiksaanwijzing

Original brugsanvisning

Original bruksanvisning

Bruksanvisning i original

Alkuperäiset ohjeet

Πρωτότυπο οδηγιών χρήσης

Orijinal işletme talimatı

Původním návodem k používání

Pôvodný návod na použitie

Instrukcją oryginalną

Eredeti használati utasítás

Izvirna navodila

Originalne pogonske upute

Instrukcijām oriģinālvalodā

Originali instrukcija

Algupärane kasutusjuhend

Оригинальное руководство по эксплуатации

Оригинално ръководство за експлоатация

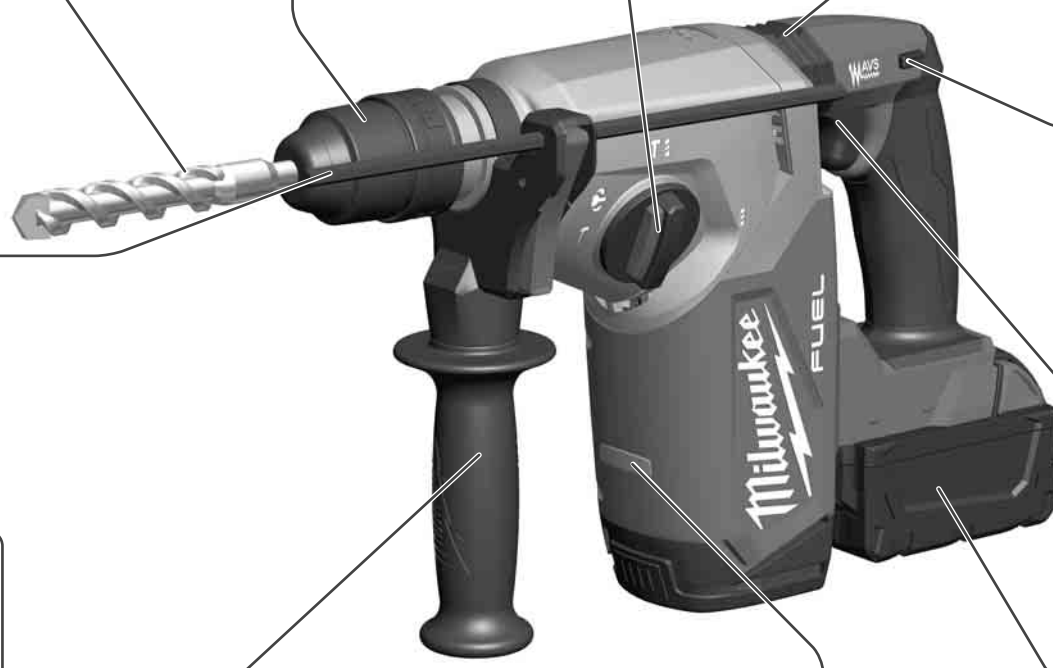
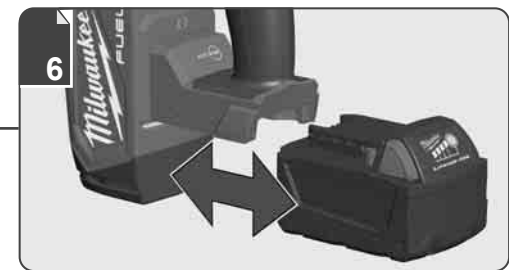
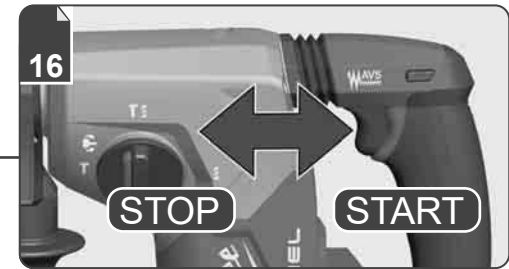
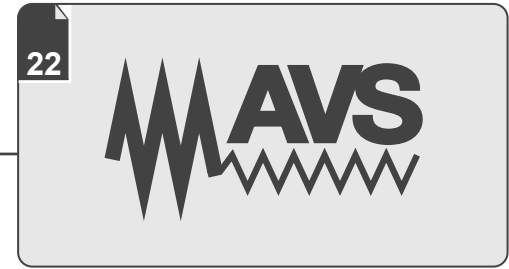
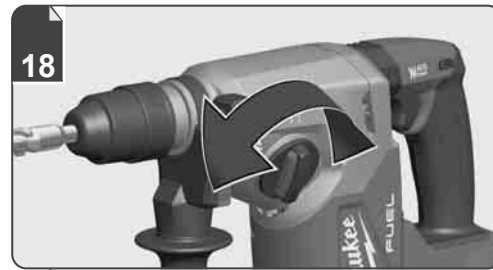
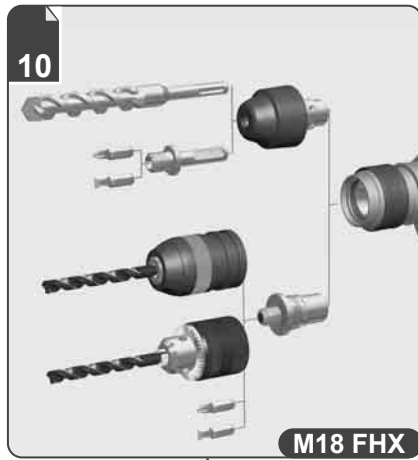
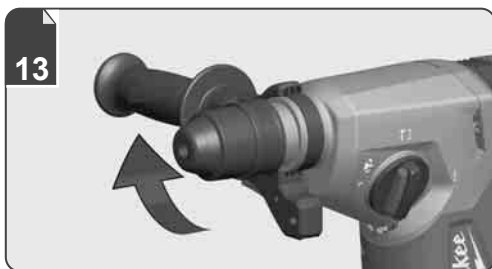
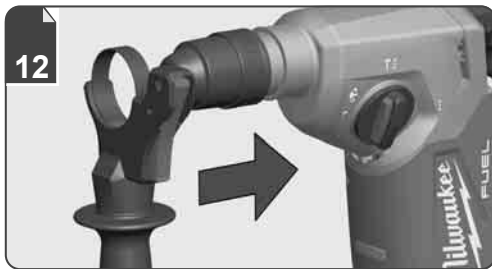
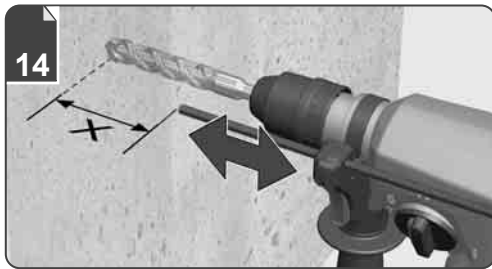
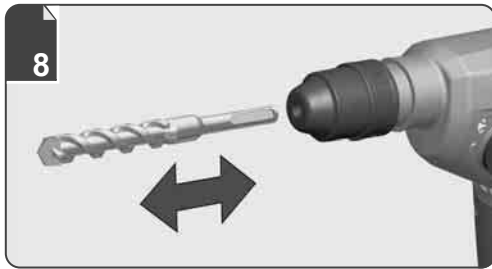
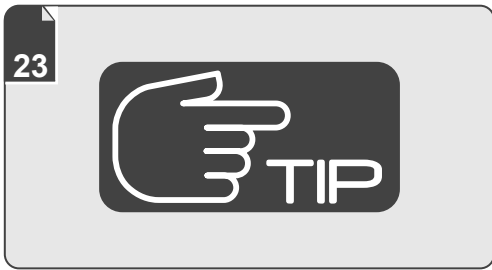
Instrucțiuni de folosire originale

Оригинален прирачник за работа

Оригінал інструкції з експлуатації

التعليمات الأصلية

<b>ENGLISH</b>	Picture section with operating description and functional description	Page	<b>4</b>	Text section with Technical Data, important Safety and Working Hints and description of Symbols	Page	<b>24</b>
<b>DEUTSCH</b>	Bildteil mit Anwendungs- und Funktionsbeschreibungen	Seite	<b>4</b>	Textteil mit Technischen Daten, wichtigen Sicherheits- und Arbeitshinweisen und Erklärung der Symbole.	Seite	<b>27</b>
<b>FRANÇAIS</b>	Partie imagée avec description des applications et des fonctions	Page	<b>4</b>	Partie textuelle avec les données techniques, les consignes importantes de sécurité et de travail ainsi que l'explication des pictogrammes.	Page	<b>30</b>
<b>ITALIANO</b>	Sezione illustrata con descrizione dell'applicazione e delle funzioni	Pagina	<b>4</b>	Sezione testo con dati tecnici, importanti informazioni sulla sicurezza e sull'utilizzo, spiegazione dei simboli.	Pagina	<b>33</b>
<b>ESPAÑOL</b>	Sección de ilustraciones con descripción de aplicación y descripción funcional	Página	<b>4</b>	Sección de texto con datos técnicos, indicaciones importantes de seguridad y trabajo y explicación de los símbolos.	Página	<b>36</b>
<b>PORTUGUES</b>	Parte com imagens explicativas contendo descrição operacional e funcional	Página	<b>4</b>	Parte com texto explicativo contendo Especificações técnicas, avisos de segurança e de operação e a descrição dos símbolos.	Página	<b>39</b>
<b>NEDERLANDS</b>	Beeldgedeelte met toepassings- en functiebeschrijvingen	Pagina	<b>4</b>	Tekstgedeelte met technische gegevens, belangrijke veiligheids- en arbeidsinstructies en verklaring van de symbolen.	Pagina	<b>42</b>
<b>DANSK</b>	Billeddel med anvendelses- og funktionsbeskrivelser	Side	<b>4</b>	Tekstdel med tekniske data, vigtige sikkerheds- og arbejdsanvisninger og symbolforklaring.	Side	<b>45</b>
<b>NORSK</b>	Billeddel med bruks- og funksjonsbeskrivelse	Side	<b>4</b>	Tekstdel med tekniske data, viktige sikkerhets- og arbeidsinstruksjoner og forklaring av symbolene.	Side	<b>48</b>
<b>SVENSKA</b>	Bilddel med användnings- och funktionsbeskrivning	Sidan	<b>4</b>	Textdel med tekniska informationer, viktiga säkerhets- och användningsinstruktioner samt symbolförklaringar.	Sidan	<b>51</b>
<b>SUOMI</b>	Kuvasivut käyttö- ja toimintakuvaus	Sivu	<b>4</b>	Tekstisivut: tekniset tiedot, tärkeät turvallisuus- ja työskentelyohjeet sekä merkkien selitykset.	Sivu	<b>54</b>
<b>ΕΛΛΗΝΙΚΑ</b>	Τμήμα εικόνων με περιγραφές χρήσης και λειτουργίας	Σελίδα	<b>4</b>	Τμήμα κειμένου με τεχνικά χαρακτηριστικά, σημαντικές υποδείξεις ασφαλείας και εργασίας και εξήγηση των συμβόλων.	Σελίδα	<b>57</b>
<b>TÜRKÇE</b>	Resim bölümü Uygulama ve fonksiyon açıklamaları ile birlikte	Sayfa	<b>4</b>	Teknik bilgileri, önemli güvenlik ve çalışma açıklamalarını ve de sembollerin açıklamalarını içeren metin bölümü.	Sayfa	<b>60</b>
<b>ČEŠTINA</b>	Obrazová část s popisem aplikací a funkcí	Stránka	<b>4</b>	Textová část s technickými daty, důležitými bezpečnostními a pracovními pokyny a s vysvětlivkami symbolů	Stránka	<b>63</b>
<b>SLOVENSKY</b>	Obrazová časť s popisom aplikácií a funkcií	Stránka	<b>4</b>	Textová časť s technickými dátami, dôležitými bezpečnostnými a pracovnými pokynmi a s vysvetlivkami symbolov	Stránka	<b>66</b>
<b>POLSKI</b>	Część rysunkowa z opisami zastosowania i działania	Strona	<b>4</b>	Część opisowa z danymi technicznymi, ważnymi wskazówkami dotyczącymi bezpieczeństwa i pracy oraz objaśnieniami symboli.	Strona	<b>69</b>
<b>MAGYAR</b>	Képes részalkalmazási- és működési leírásokkal	Oldal	<b>4</b>	Szöveges rész műszaki adatokkal, fontos biztonsági- és munkavégzési útmutatásokkal, valamint a szimbólumok magyarázata.	Oldal	<b>72</b>
<b>SLOVENŠČINA</b>	Del slikez opisom uporabe in funkcij	Stran	<b>4</b>	Del besedila s tehničnimi podatki, pomembnimi varnostnimi opozorili in delovnimi navodili in pojasnili simbolov.	Stran	<b>75</b>
<b>HRVATSKI</b>	Dio sa slikamasa opisima primjene i funkcija	Stranica	<b>4</b>	Dio štiva sa tehničkim podacima, važnim sigurnosnim i radnim uputama i objašnjenjem simbola.	Stranica	<b>78</b>
<b>LATVISKI</b>	Attēla daļa ar lietošanas un funkciju aprakstiem	Lappuse	<b>4</b>	Teksta daļa ar tehniskajiem parametriem, svarīgiem drošības un darbības norādījumiem, simbolu atšifrējumiem.	Lappuse	<b>81</b>
<b>LIETUVIŠKAI</b>	Paveikslėlio dalis su vartojimo instrukcija ir funkcijų aprašymais	Puslapis	<b>4</b>	Teksto dalis su techniniais duomenimis, svarbiomis saugumo ir darbo instrukcijomis bei simbolių paaiškinimais.	Puslapis	<b>84</b>
<b>EESTI</b>	Pildiosa kasutusjuhendi ja funktsioonide kirjeldusega	Lehekülg	<b>4</b>	Tekstiosa tehniliste näitajate, oluliste ohutus- ja tööjuhenditega ning sümbolite kirjeldustega.	Lehekülg	<b>87</b>
<b>РУССКИЙ</b>	Раздел иллюстраций с описанием эксплуатации и функций	Страница	<b>4</b>	Текстовый раздел, включающий технические данные, важные рекомендации по безопасности и эксплуатации, а также описание используемых символов.	Страница	<b>90</b>
<b>БЪЛГАРСКИ</b>	Част със снимки с описания за приложение и функции	Страница	<b>4</b>	Част с текст с технически данни, важни указания за безопасност и работа и разяснение на символите.	Страница	<b>93</b>
<b>ROMÂNĂ</b>	Secvența de imagine cu descrierea utilizării și a funcțiilor	Pagina	<b>4</b>	Porțiune de text cu date tehnice, indicații importante privind siguranța și modul de lucru și descrierea simbolurilor.	Pagina	<b>96</b>
<b>МАКЕДОНСКИ</b>	Дел со сликисо описи за употреба и функционирање	Страница	<b>4</b>	Текстуален дел со Технички карактеристики, важни безбедносни и работни упатства и објаснување на символите.	Страница	<b>99</b>
<b>УКРАЇНСЬКА</b>	Частина з зображеннями з описом робіт та функцій	Сторінка	<b>4</b>	Текстова частина з технічними даними, важливими вказівками з техніки безпеки та експлуатації і поясненням символів.	Сторінка	<b>102</b>
<b>عربي</b>	قسم الصور يوجد به الوصف التشغيلي والوظيفي	الصفحة	<b>4</b>	القسم النصي المزود بالبيانات الفنية والنصائح الهامة للسلامة والعمل ووصف الرموز	الصفحة	<b>109</b>





Remove the battery pack before starting any work on the machine.  
Vor allen Arbeiten an der Maschine den Wechselakku herausnehmen

Avant tous travaux sur la machine retirer l'accu interchangeable.

Prima di iniziare togliere la batteria dalla macchina.

Retire la batería antes de comenzar cualquier trabajo en la máquina.

Antes de efectuar cualquier intervención na máquina retirar o bloco acumulador.

Voor alle werkzaamheden aan de machine de akku verwijderen.

Ved arbejde inden i maskinen, bør batteriet tages ud.

Ta ut vekselsbatteriet før du arbeider på maskinen

Drag ur batteripaket innan arbete utföres på maskinen.

Tarkista pistotulppa ja verkkojohto mahdollisilta vaurioilta. Viat saa korjata vain alan erikoismies.

Πριν από κάθε εργασία στη μηχανή αφαιρέστε την ανταλλακτική μπαταρία.

Aletin kendingde bir çalışma yapmadan önce kartuş aküyü çıkarın.

Před zahájením veškerých prací na vrtacím šroubováků vyjmout výměnný akumulátor.

Pred každou pracou na stroji výmenný akumulátor vytiahnuť.

Przed przystąpieniem do jakichkolwiek prac na elektronarzędziu należy wyjąć wkładkę akumulatową.

Karbantartás, javítás, tisztítás, stb. előtt az akkumulátort ki kell venni a készülékből.

Pred deli na stroju izvlécite izmenljivi akumulator.

Prije svih radova na stroju izvaditi bateriju za zamjenu.

Pirms mašīnai veikt jebkāda veida apkopes darbus, ir jāizņem ārā akumulātors.

Prieš atlikdami bet kokius darbus įrenginyje, išimkite keičiamą akumuliatorių.

Enne kõiki töid masina kallal võtke vahetatav aku välja.

Виньте аккумулятор из машины перед проведением с ней каких-либо манипуляций.

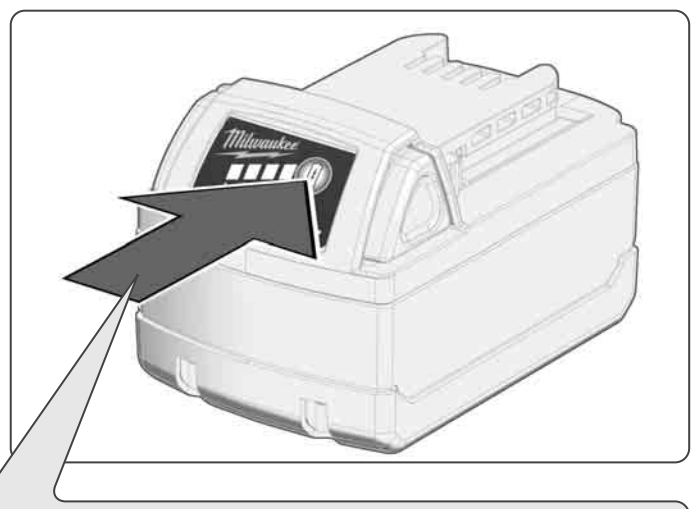
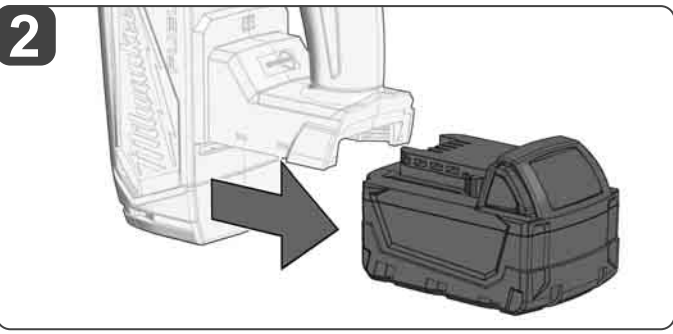
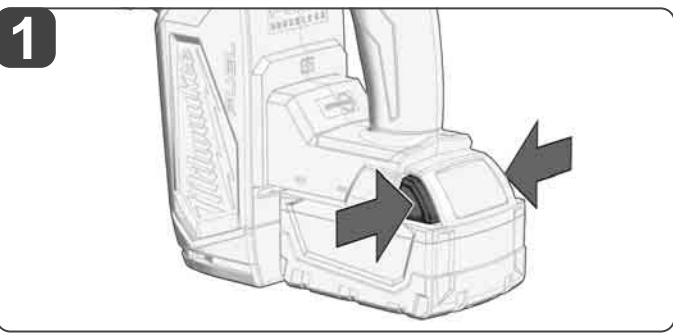
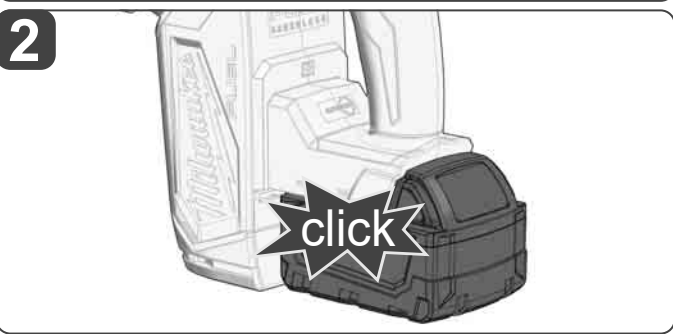
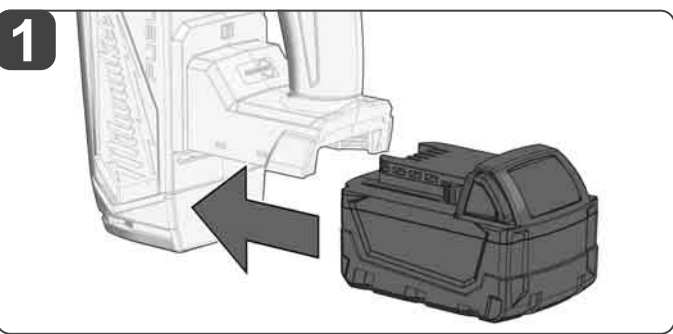
Преди започване на каквито е да е работи по машината извадете акумулатора.

Scoateți acumulatorul înainte de a începe orice intervenție pe mașină.

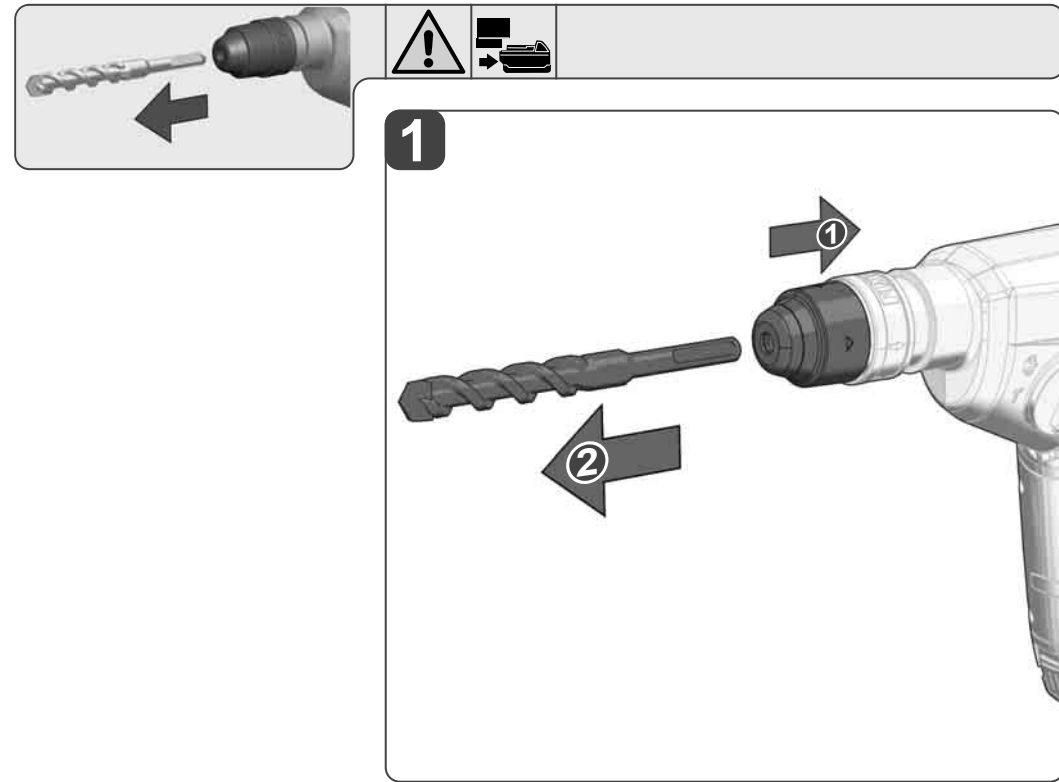
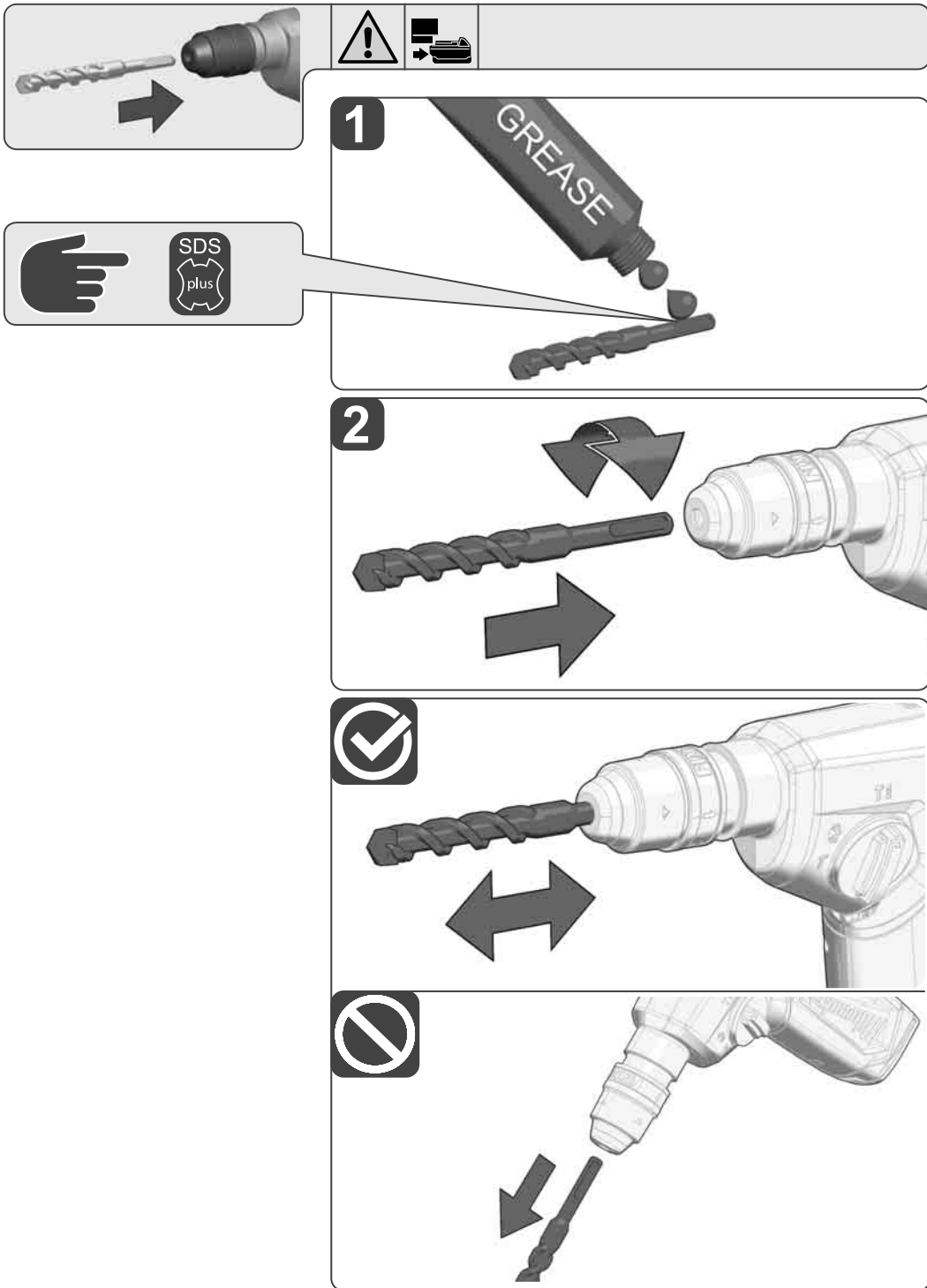
Отстранете ја батеријата пред да започнете да ја користите машината.

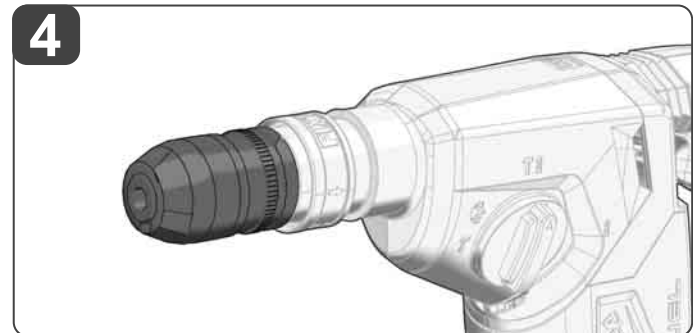
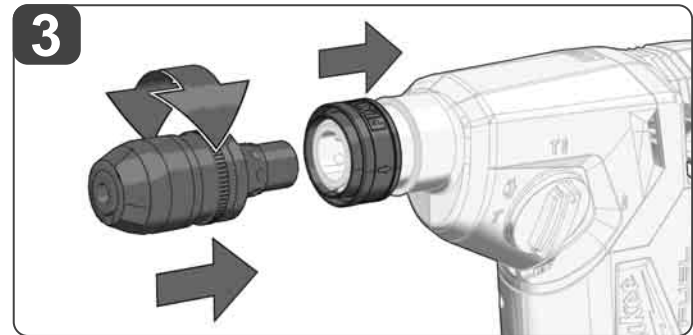
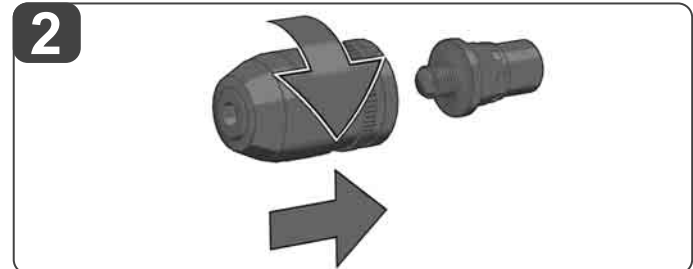
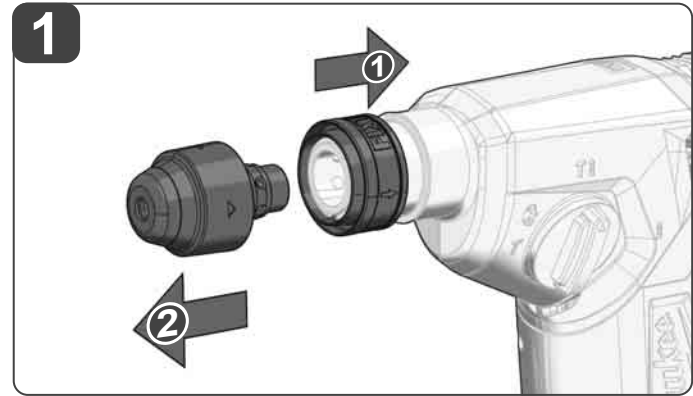
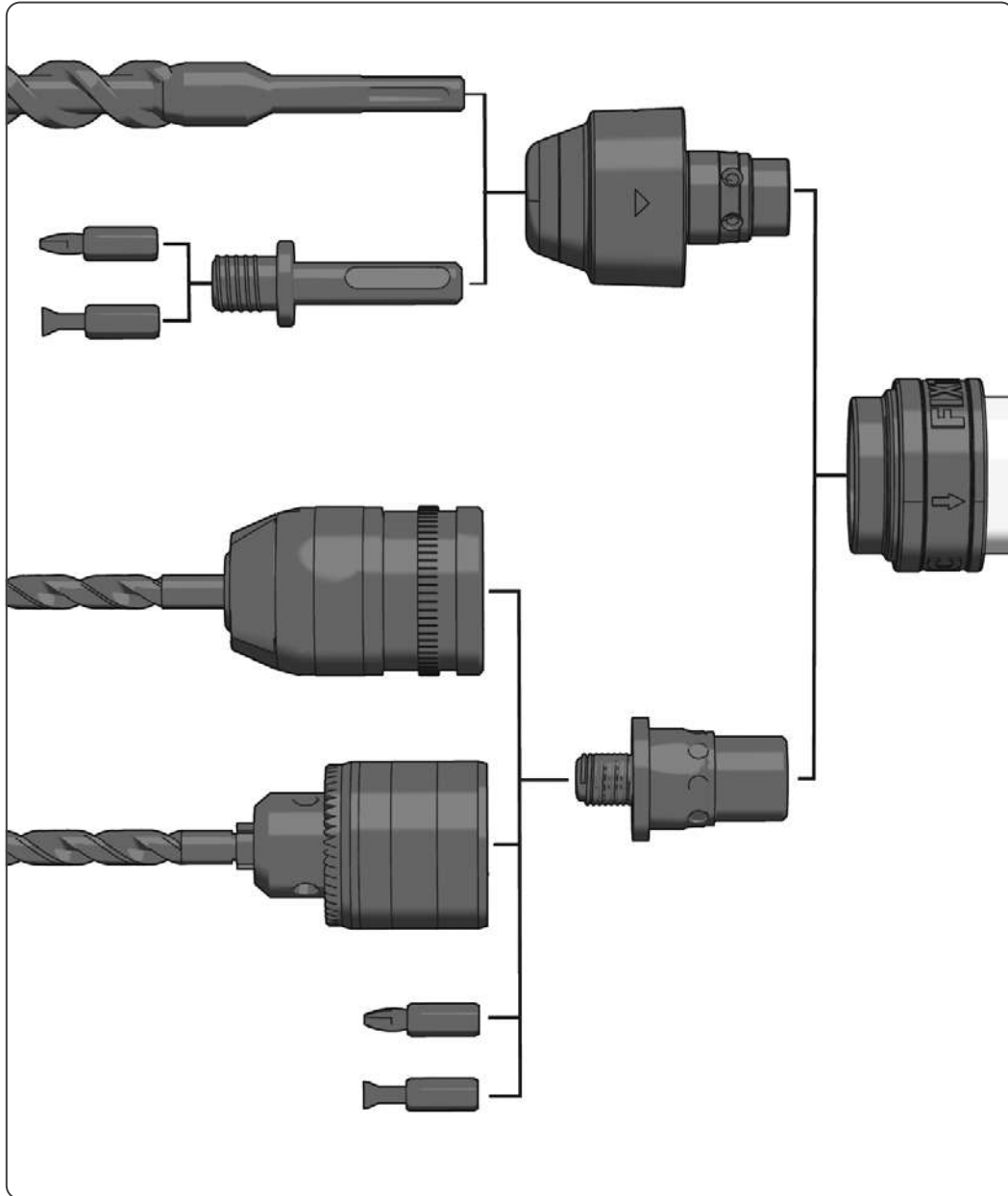
Перед будь-якими роботами на машині винняти змінну акумуляторну батарею.

قم بإزالة حزمة البطارية قبل البدء في أي أعمال على الجهاز.



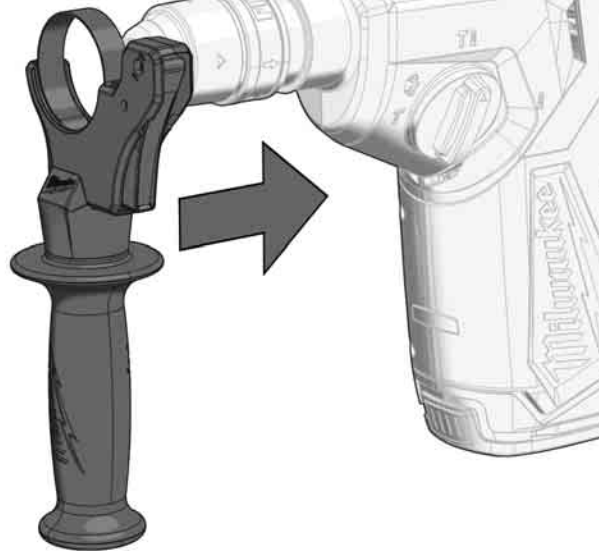
	78-100 %
	55-77 %
	33-54 %
	10-32 %
	< 10 %



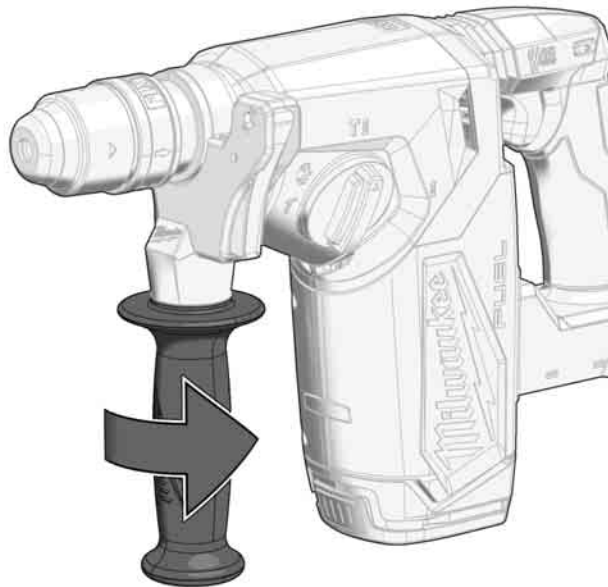




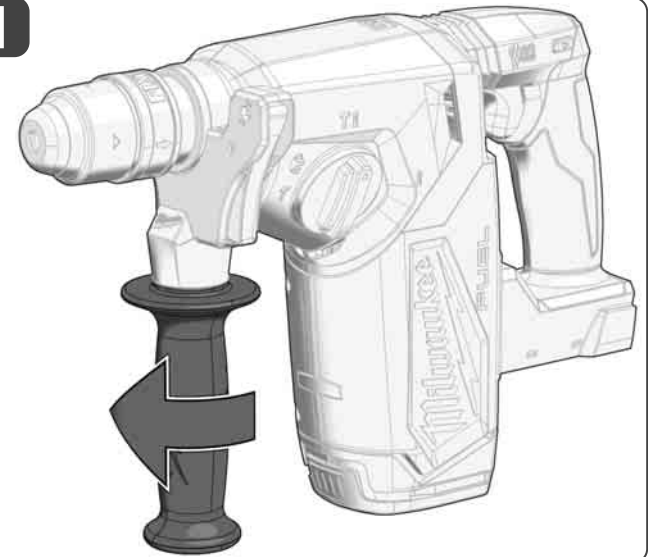
1



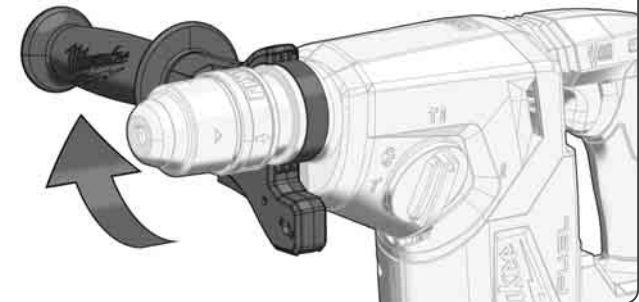
2



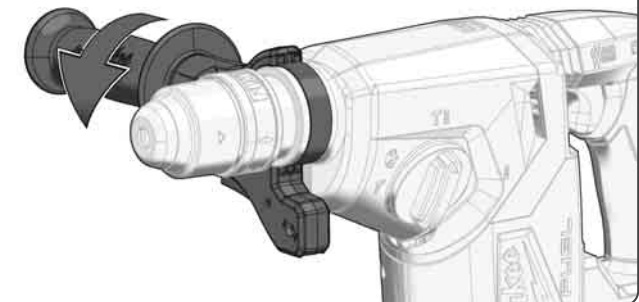
1

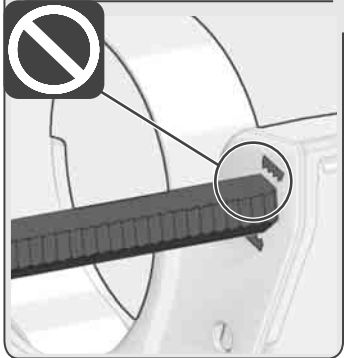


2

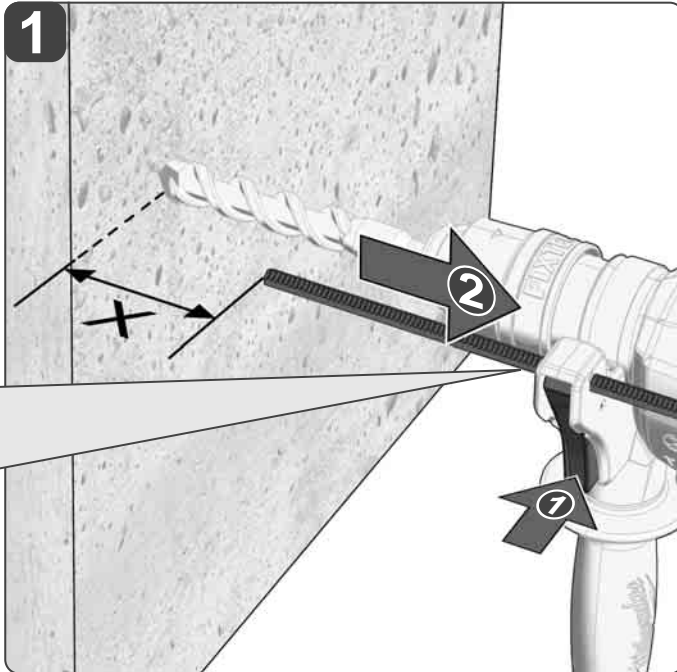


3

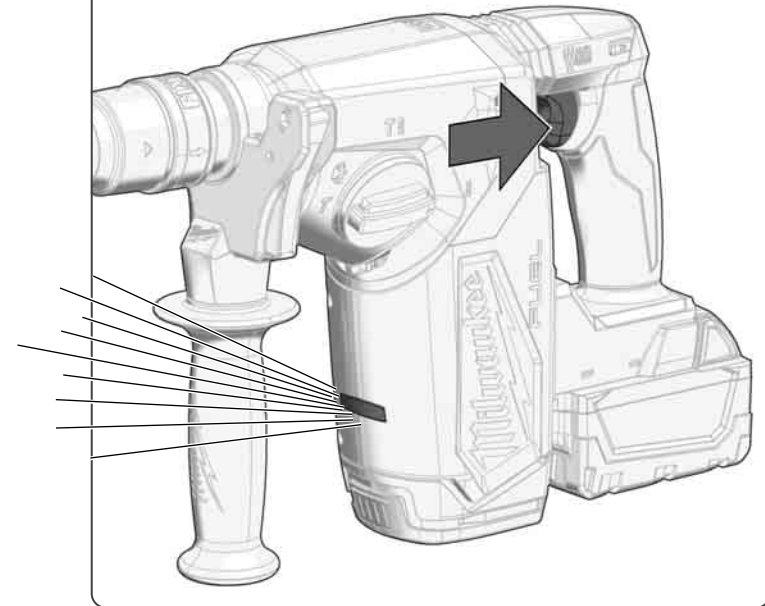
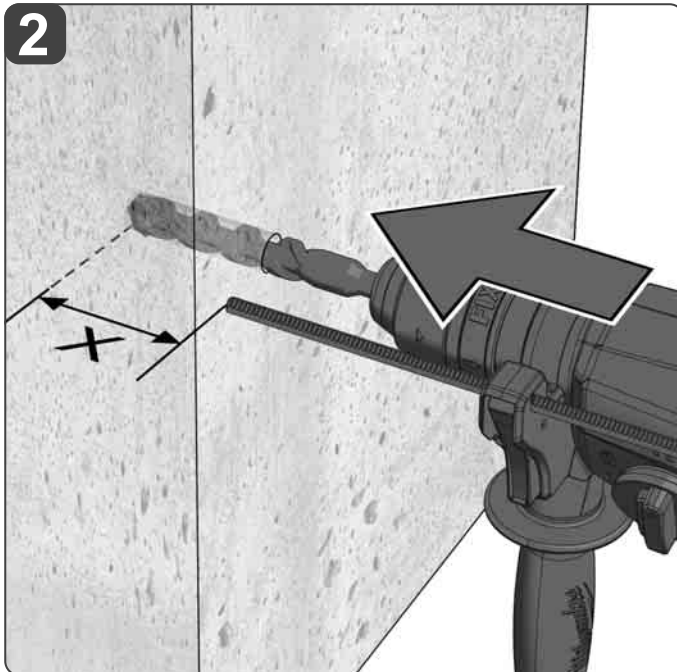




1



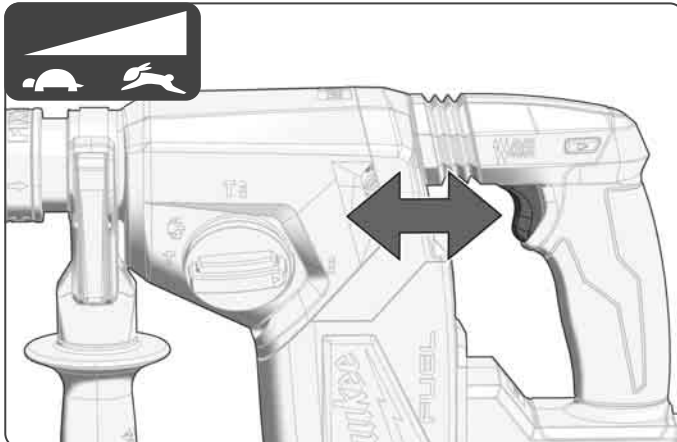
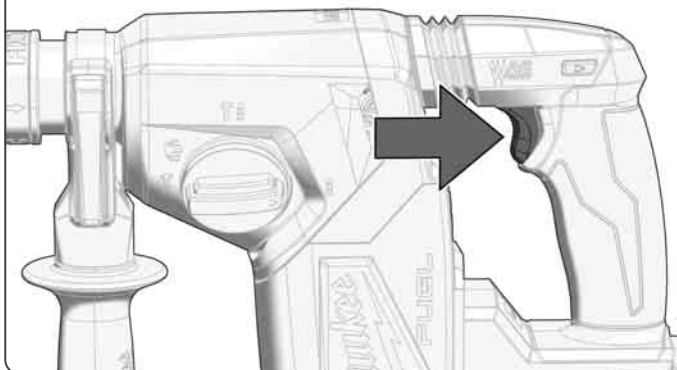
2



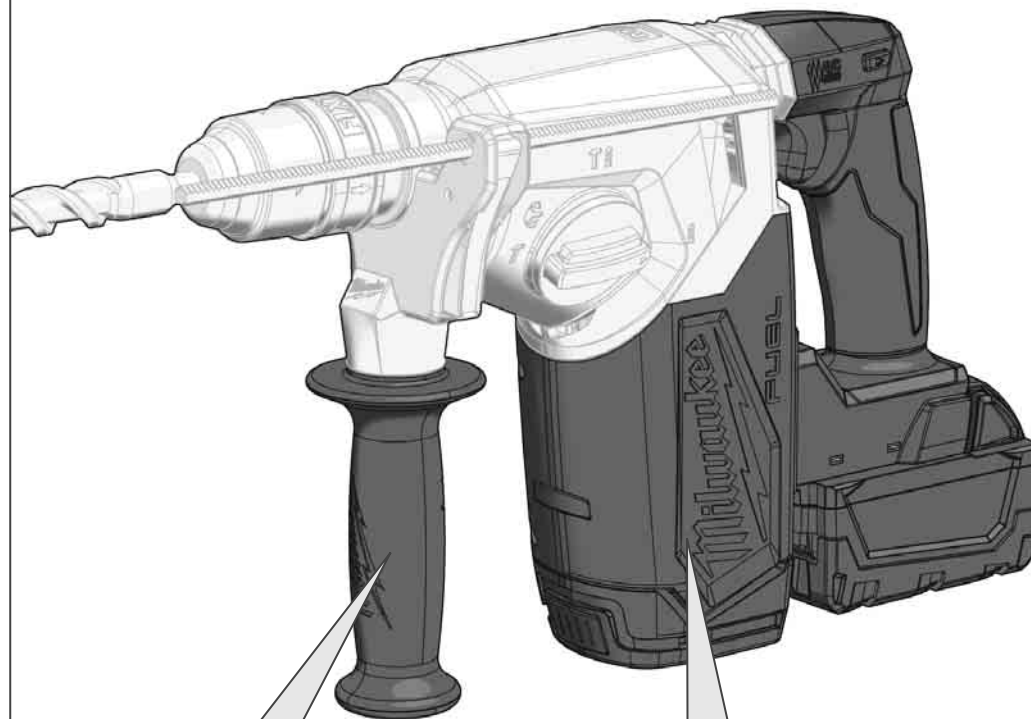
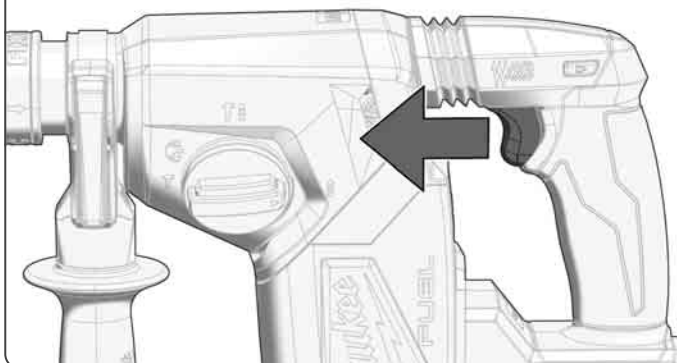




## START



## STOP

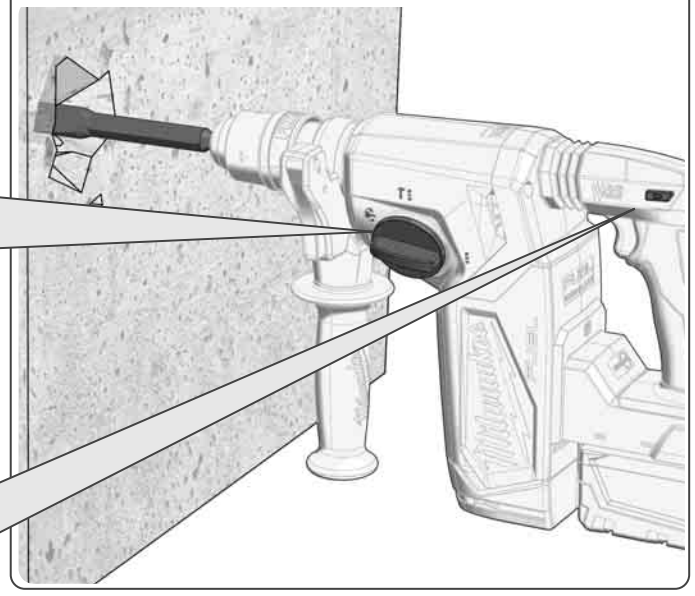
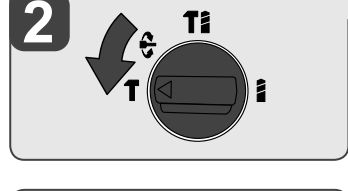
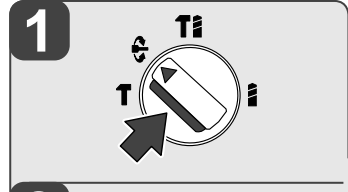
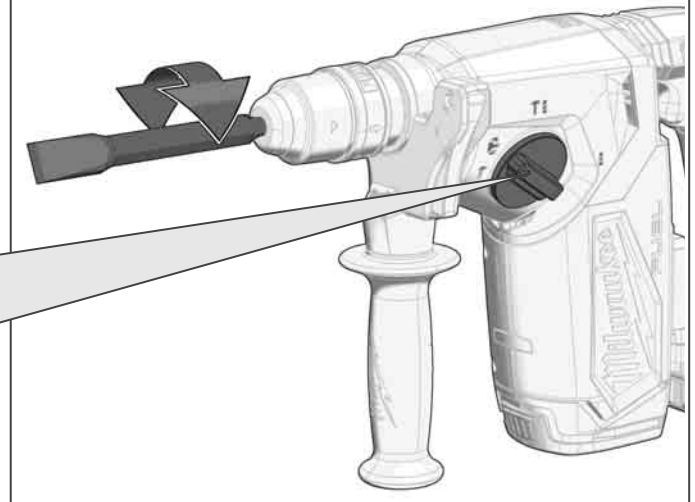
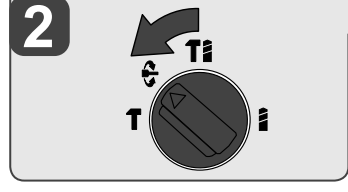
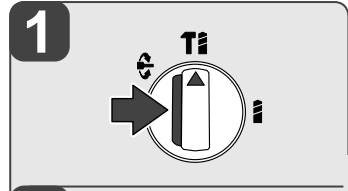
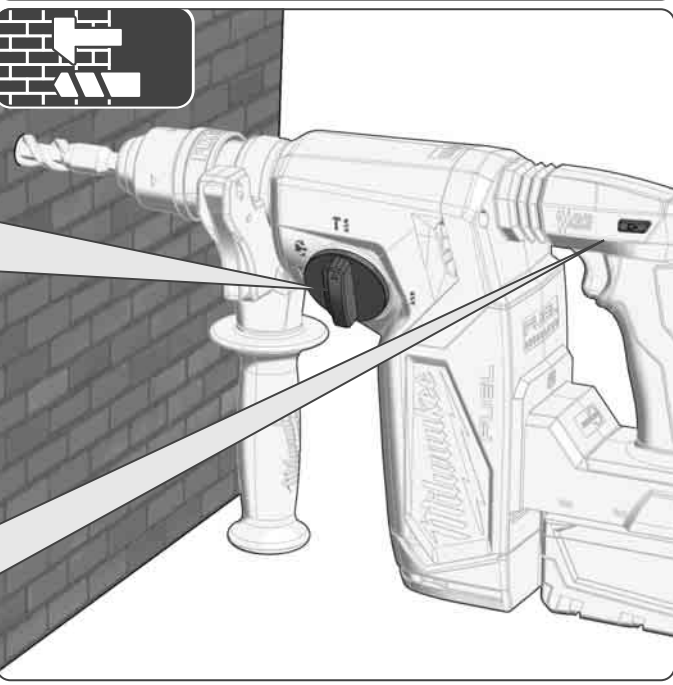
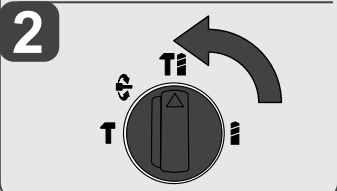
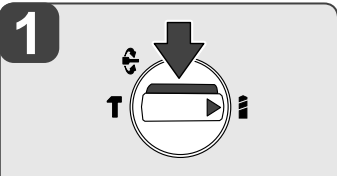
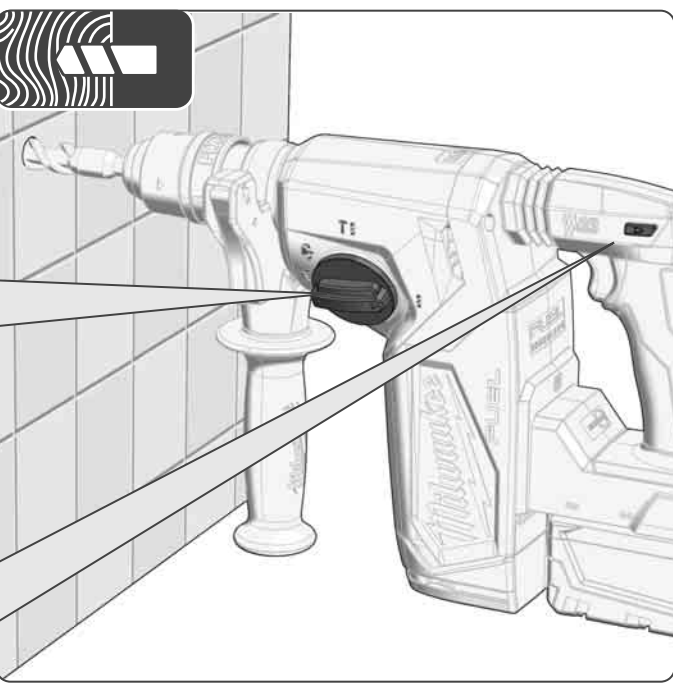
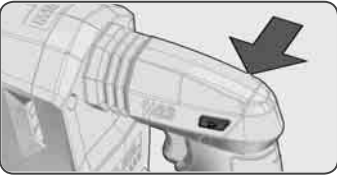
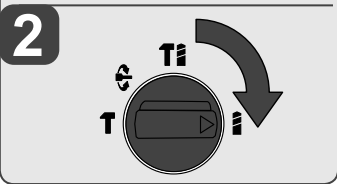
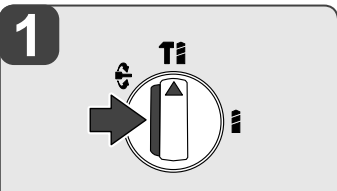


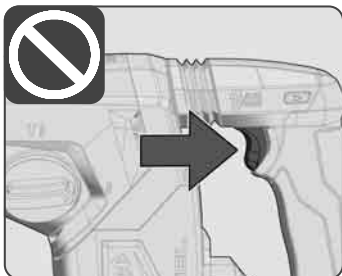
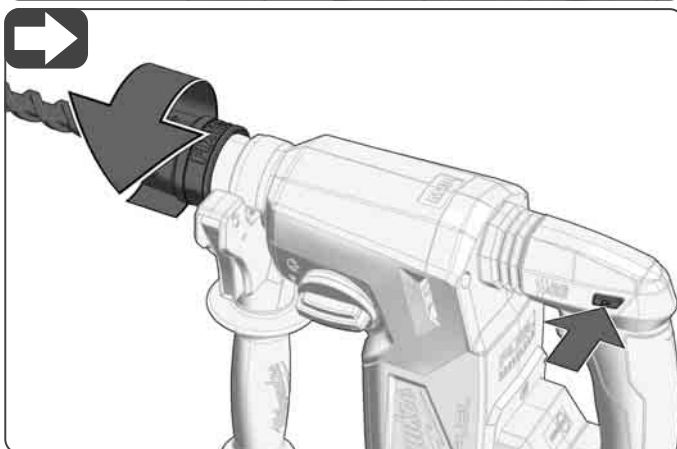
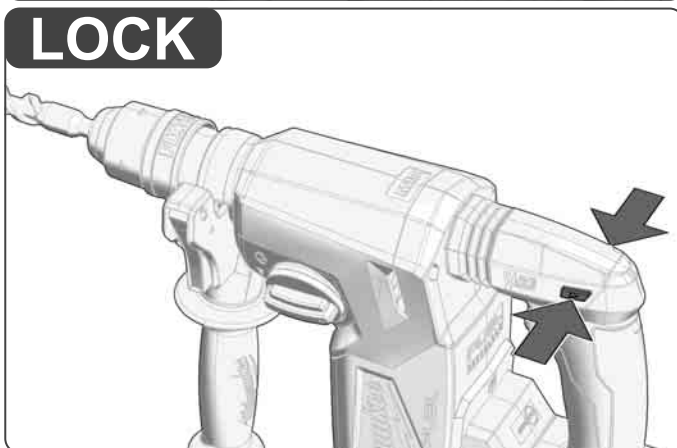
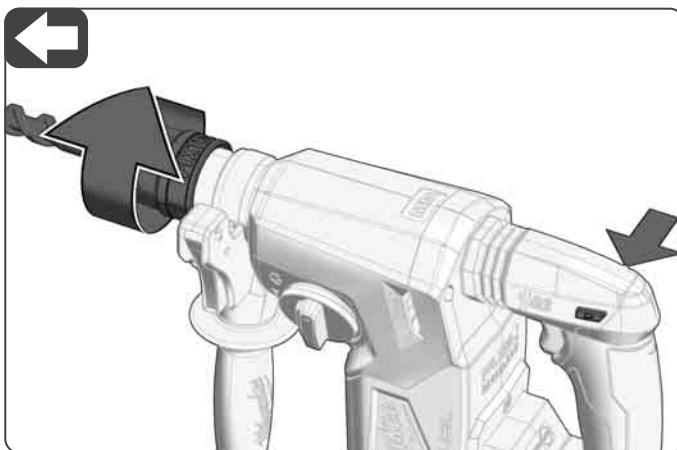
Insulated gripping surface  
 Isolierte Grifffläche  
 Surface de prise isolée  
 Superficie di presa isolata  
 Superficie de agarre con aislamiento  
 Superfície de pega isolada  
 Geïsoleerde handgrepen  
 Isolerede gribeflader  
 Isolert gripeflate  
 Isolerad greppyta  
 Eristetty tarttumapinta  
 Μονωμένη επιφάνεια λαβής

Izolasyonlu tutma yüzeyi  
 Izolovaná uchopovací plocha  
 Izolovaná úchopná plocha  
 Izolowana powierzchnia uchwytu  
 Szigetelt fogófelület  
 Izolirana prijemalna površina  
 Izolirana površina za držanje  
 Izolėta satveršanas virsma  
 Izoliuotas rankenos paviršius  
 Isoleeritud pideme piirkond  
 Изолированная поверхность ручки  
 Изолирана повърхност за хващане

Suprafață de prindere izolată  
 Изолирана површина на дршката  
 Изольована поверхня ручки

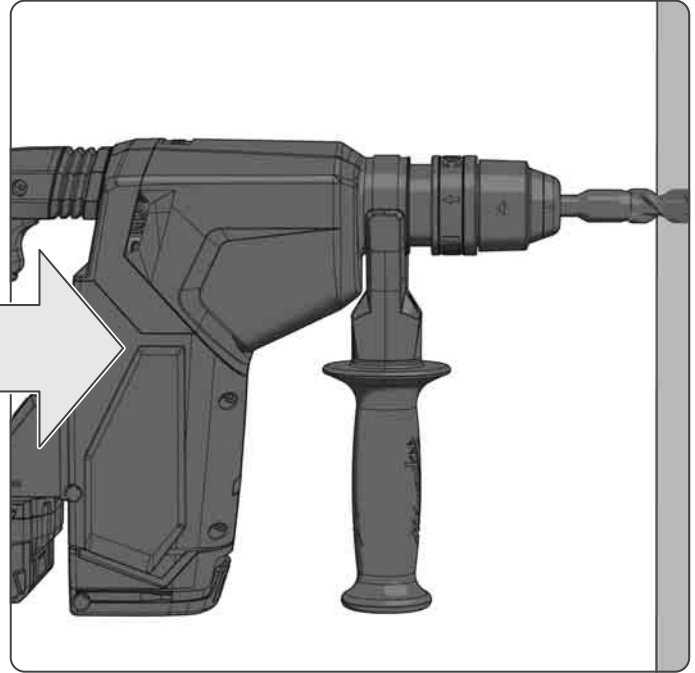
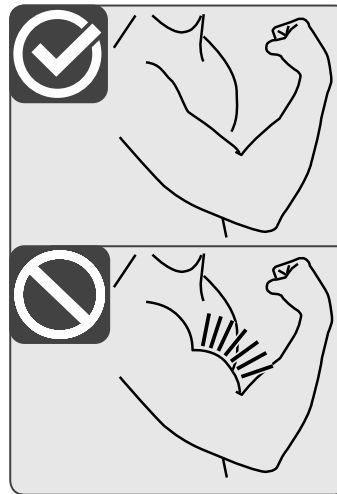
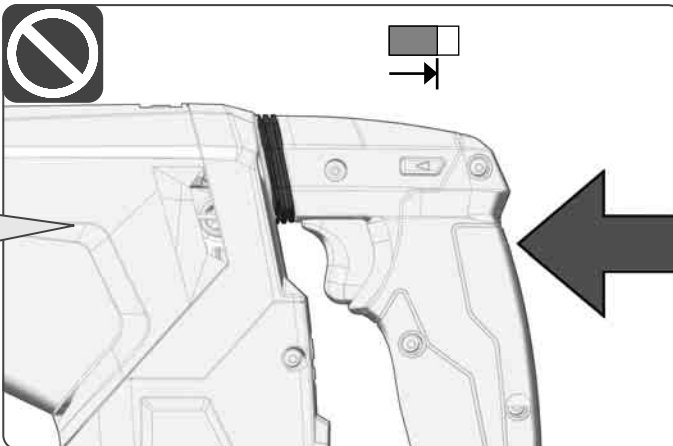
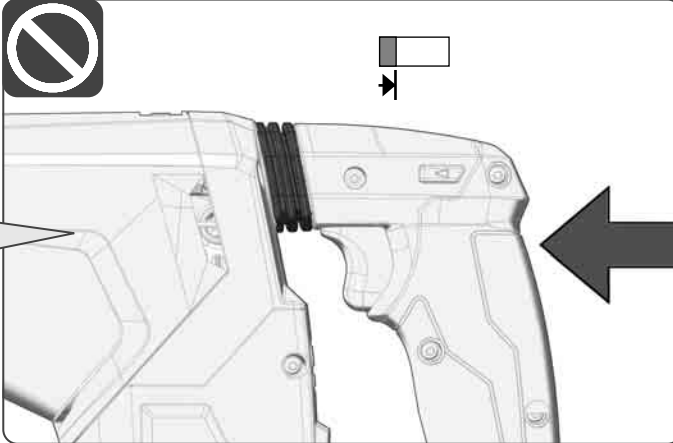
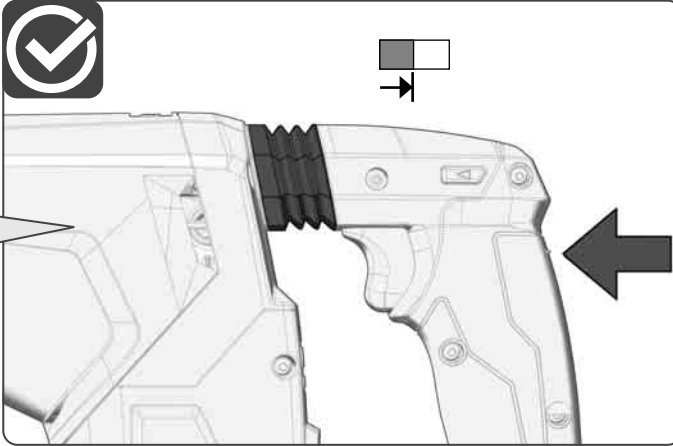
مساحة المقبض معزولة





Only operate the forward or reverse switch until the the machine comes to a complete stop.  
 Den Umschalter für Rechts- oder Linkslauf nur im Stillstand der Maschine betätigen.  
 N'activez le commutateur pour la rotation dans le sens horaire ou dans le sens inverse que lorsque la machine est à l'arrêt.  
 Azionare il commutatore per la rotazione in senso orario o antiorario solo quando la macchina è ferma.  
 Accionar el conmutador para marcha a la derecha o a la izquierda solo cuando la máquina esté parada.  
 Só atue o comutador para a operação no sentido horário ou anti-horário durante a parada da máquina.  
 De omschakelaar voor rechts- of linksloop mag alleen bij stilstand van de machine worden bediend.  
 Omskifteren til højre/venstre-rotation må kun bruges, når maskinen er stoppet helt.  
 Betjen vendebryteren for højre- eller venstreløb bare mens maskinen befinder seg i stillstand.  
 Päverka omkopplaren för vänster- eller högergång endast när maskinen står stilla.  
 Toimenna pyörintäsuunnan vaihtokytkin oikealle tai vasemmalle vain koneen ollessa pysähdyksissä.  
 Να χειρίζεστε το διακόπτη επιλογής αριστερόστροφης ή δεξιόστροφης περιστροφής μόνο όταν βρίσκεται το μηχάνημα σε πλήρη ακινησία.  
 Sağa veya sola dönme şalterini sadece makine durduğunda kullanın.  
 S přepínačem pravotočivého nebo levotočivého chodu manipulujte pouze tehdy, když je zařízení zastaveno.  
 S prepínačom pravotočivého alebo ľavotočivého chodu manipulujte iba vtedy, keď je zariadenie zastavené.  
 Przełącznik lewych i prawych obrotów należy uruchamiać jedynie wówczas, gdy maszyna jest zatrzymana.  
 A jobb vagy bal forgásirány átkapcsolóját csak akkor működtesse, ha a gép áll.  
 Preklopnik za vrtenje v desno ali levo obračajte le, ko naprava miruje.  
 Preklopnik za rad udesno ili ulijevo aktivirati samo u stanju mirovanja stroja.  
 Slēdzi virzienu maiņai pa labi vai pa kreisi drīkst pārslēgt tikai tad, kad ierīces darbība ir pārtraukta un tā ir pilnībā apstājusies.  
 Sukimosi į dešinę arba kairę perjungiklį spauskite tik įrangai neveikiant.  
 Ümber lülitada paremasse või vasakusse suunda võite ainult masina seisaku ajal.  
 Переключатель правого/левого вращения нажимать, только когда устройство остановлено.  
 Задействуйте превключателя за десен и ляв ход само при спряна машина.  
 Acționați comutatorul inversor pentru mersul spre stânga sau mersul spre dreapta numai când mașina este oprită.  
 Активирайте го прекинувачот за лево или десно само додека машината е во мирување.  
 Щоб уникнути пошкодження пристрою, користуватися перемикачем на праве або ліве обертання слід тільки після повної зупинки.

استخدم زر تحويل الدوران إلى اليمين أو اليسار في حالة السكون التام للماكينة فقط.



TECHNICAL DATA	M18 FH	M18 FHX
Type	Cordless Rotary Hammer	Cordless Rotary Hammer
Production code	4831 62 01 XXXXX MJJJJ	4831 72 01 XXXXX MJJJJ
Battery voltage	18 V $\overline{---}$	18 V $\overline{---}$
Single impact energy	2,5 J	2,5 J
No-load speed	0-1330 min <sup>-1</sup>	0-1330 min <sup>-1</sup>
Rate of percussion under load	0-4800 min <sup>-1</sup>	0-4800 min <sup>-1</sup>
Chuck neck diameter	46 mm	46 mm
Drilling capacity in concrete	26 mm	26 mm
Drilling capacity in steel	13 mm	13 mm
Drilling capacity in wood	28 mm	28 mm
Light core cutter in bricks and limestone	65 mm	65 mm
Weight according EPTA-Procedure 01/2014 (2.0 Ah ... 12.0 Ah)	3,4 kg ... 4,4 kg	3,6 kg ... 4,6 kg
Recommended ambient operating temperature	-18...+50 °C	
Recommended battery types	M18B...; M18HB...	
Recommended charger	M12-18...; M1418C6	

#### Noise Information:

Measured values determined according to EN 60745.

Typically, the A-weighted noise levels of the tool are:

Sound pressure level / Uncertainty K

92,6 dB(A) / 3 dB(A)      92,6 dB(A) / 3 dB(A)

Sound power level / Uncertainty K

103,6 dB(A) / 3 dB(A)      103,6 dB(A) / 3 dB(A)

#### Wear ear protectors.

**Vibration Information:** Total vibration values (vector sum in the three axes) determined according to EN 60745.

Vibration emission value  $a_{h,D}$  / Uncertainty K

Hammer-drilling in concrete ( $a_{h,D}$ )

12,9 m/s<sup>2</sup> / 1,5 m/s<sup>2</sup>      12,9 m/s<sup>2</sup> / 1,5 m/s<sup>2</sup>

Chiselling ( $a_{h,Chisel}$ )

14,2 m/s<sup>2</sup> / 1,5 m/s<sup>2</sup>      14,2 m/s<sup>2</sup> / 1,5 m/s<sup>2</sup>

#### ⚠ WARNING

The vibration emission level given in this information sheet has been measured in accordance with a standardised test given in EN 60745 and may be used to compare one tool with another. It may be used for a preliminary assessment of exposure.

The declared vibration emission level represents the main applications of the tool. However if the tool is used for different applications, with different accessories or poorly maintained, the vibration emission may differ. This may significantly increase the exposure level over the total working period.

An estimation of the level of exposure to vibration should also take into account the times when the tool is switched off or when it is running but not actually doing the job. This may significantly reduce the exposure level over the total working period.

Identify additional safety measures to protect the operator from the effects of vibration such as: maintain the tool and the accessories, keep the hands warm, organisation of work patterns.

#### ⚠ WARNING! Read all safety warnings and all instructions.

Failure to follow the warnings and instructions may result in electric shock, fire and/or serious injury.

Save all warnings and instructions for future reference.

#### ROTARY HAMMER SAFETY WARNINGS

**Wear ear protectors.** Exposure to noise can cause hearing loss.

**Use auxiliary handles supplied with the tool.** Loss of control can cause personal injury.

**Hold the power tool by insulated gripping surfaces, when performing an operation where the cutting accessory may contact hidden wiring.**

Cutting accessory contacting a "live" wire may make exposed metal parts of the power tool "live" and could give the operator an electric shock.

#### ADDITIONAL SAFETY AND WORKING INSTRUCTIONS

Use protective equipment. Always wear safety glasses when working with the machine. The use of protective clothing is recommended, such as dust mask, protective gloves, sturdy non-slip footwear, helmet and ear defenders.

The dust produced when using this tool may be harmful to health. Do not inhale the dust. Wear a suitable dust protection mask.

Do not machine any materials that present a danger to health (e.g. asbestos).

Switch the device off immediately if the insertion tool stalls! Do not switch the device on again while the insertion tool is stalled, as doing so could trigger a sudden recoil with a high reactive force. Determine why the insertion tool stalled and rectify this, paying heed to the safety instructions.

The possible causes may be:

- it is tilted in the workpiece to be machined
- it has pierced through the material to be machined
- the power tool is overloaded

Do not reach into the machine while it is running.

The insertion tool may become hot during use.

**WARNING!** Danger of burns

- when changing tools
- when setting the device down

Chips and splinters must not be removed while the machine is running.

When working in walls ceiling, or floor, take care to avoid electric cables and gas or waterpipes.

Clamp your workpiece with a clamping device. Unclamped workpieces can cause severe injury and damage.

Remove the battery pack before starting any work on the machine.

Do not dispose of used battery packs in the household refuse or by burning them. Milwaukee Distributors offer to retrieve old batteries to protect our environment.

Do not store the battery pack together with metal objects (short circuit risk).

Use only System M18 chargers for charging System M18 battery

packs. Do not use battery packs from other systems.

Never break open battery packs and chargers and store only in dry rooms. Keep dry at all times.

Battery acid may leak from damaged batteries under extreme load or extreme temperatures. In case of contact with battery acid wash it off immediately with soap and water. In case of eye contact rinse thoroughly for at least 10 minutes and immediately seek medical attention.

**Warning!** To reduce the risk of fire, personal injury, and product damage due to a short circuit, never immerse your tool, battery pack or charger in fluid or allow a fluid to flow inside them. Corrosive or conductive fluids, such as seawater, certain industrial chemicals, and bleach or bleach containing products, etc., can cause a short circuit.

#### SPECIFIED CONDITIONS OF USE

The battery rotary pneumatic hammer may be used for hammer drilling and drilling in wood, metal as well as plastic for independent use away from mains supply.

Do not use this product in any other way as stated for normal use.

#### RESIDUAL RISK

Even when the product is used as prescribed, it is still impossible to completely eliminate certain residual risk factors. The following hazards may arise in use and the operator should pay special attention to avoid the following:

- Injury caused by vibration.  
Hold the product by designated handles and restrict working time and exposure.
- Exposure to noise can cause hearing injury.  
Wear ear protection and limit exposure.
- Injury due to flying debris  
Wear eye protection, heavy long trousers, gloves and substantial footwear at all times.
- Inhalation of toxic dusts.

#### NOTES FOR LI-ION BATTERIES

##### Use of Li-ion batteries

Battery packs which have not been used for some time should be recharged before use.

Temperatures in excess of 50°C (122°F) reduce the performance of the battery pack. Avoid extended exposure to heat or sunshine (risk of overheating).

The contacts of chargers and battery packs must be kept clean.

For an optimum life-time, the battery packs have to be fully charged, after used.

To obtain the longest possible battery life remove the battery pack from the charger once it is fully charged.

For battery pack storage longer than 30 days:

Store the battery pack where the temperature is below 27°C and away from moisture

Store the battery packs in a 30% - 50% charged condition Every six months of storage, charge the pack as normal.

##### Battery protection for Li-Ion Akkus

In extremely high torque, binding, stalling and short circuit situations that cause high current draw, the tool will vibrate for about 5 seconds, the fuel gauge will flash, and then the tool will turn OFF. To reset, release the trigger.

Under extreme circumstances, the internal temperature of the battery pack could raise too much. If this happens, the fuel gauge will flash until the battery pack cooled down. After the lights go off, the work may continue.

##### Transport of Lithium Batteries

Lithium-ion batteries are subject to the Dangerous Goods Legislation requirements.

Transportation of those batteries has to be done in accordance with local, national and international provisions and regulations.

- The user can transport the batteries by road without further requirements.
- Commercial transport of Lithium-Ion batteries by third parties is subject to Dangerous Goods regulations. Transport preparation and transport are exclusively to be carried out by appropriately trained persons and the process has to be accompanied by corresponding experts.

When transporting batteries:

- Ensure that battery contact terminals are protected and insulated to prevent short circuit.
- Ensure that battery pack is secured against movement within packaging.
- Do not transport batteries that are cracked or leak.

Check with forwarding company for further advice

#### WORKING INSTRUCTIONS

Do not force too much when drilling or hammering. Let the rotary hammer do the work for you.

#### AUTOSTOP

 The AUTOSTOP™ kickback feature senses a bind of the drill. The control lamp flashes and the electronic switch off the rotary hammer. To switch on, release the trigger and press it again.

#### WORK WHEN IT'S COLD

If the tool is stored for a long period of time or at cold temperatures, the lubrication may become stiff and the tool may not working initially or the working may be weak. If this happens:

1. Insert a bit or chisel into the tool.
2. Run the tool against a scrap piece of concrete.
3. Pull and release the trigger every few seconds.

After 15 seconds to 2 minutes, the tool will start hammering normally. The colder the tool is, the longer it will take to warm up.

#### CLEANING
















The ventilation slots of the machine must be kept clear at all times.

#### MAINTENANCE

Important note! If the carbon brushes are worn, in addition to exchanging the brushes the tool should be sent to after-sales service. This will ensure long service life and top performance.

Use only Milwaukee accessories and Milwaukee spare parts. Should components need to be replaced which have not been described, please contact one of our Milwaukee service agents (see our list of guarantee/service addresses).

If needed, an exploded view of the tool can be ordered. Please state the machine type printed as well as the six-digit No. on the label and order the drawing at your local service agents or directly at: Techtronic Industries GmbH, Max-Eyth-Straße 10, 71364 Winnenden, Germany.

	Please read the instructions carefully before starting the machine.
	CAUTION! WARNING! DANGER!
	Remove the battery pack before starting any work on the machine.
	Always wear goggles when using the machine.
	Wear ear protectors!
	Wear a suitable dust protection mask.
	Wear gloves!
	The anti-vibration system reduces machine vibrations on the handle.
	Accessory - Not included in standard equipment, available as an accessory.
	Do not dispose electric tools, batteries/rechargeable batteries together with household waste material. Electric tools and batteries that have reached the end of their life must be collected separately and returned to an environmentally compatible recycling facility. Check with your local authority or retailer for recycling advice and collection point.
$n_0$	No-load speed
V	Voltage
	Direct Current
	European Conformity Mark
	British Conformity Mark
	Ukraine Conformity Mark
	EurAsian Conformity Mark

	M18 FH	M18 FHX
Bauart	Akku-Bohrhammer	Akku-Bohrhammer
Produktionsnummer	4831 62 01 XXXXXX MJJJJ	4831 72 01 XXXXXX MJJJJ
Spannung Wechselakku	18 V ---	18 V ---
Einzel Schlagenergie	2,5 J	2,5 J
Leerlaufdrehzahl	0-1330 min <sup>-1</sup>	0-1330 min <sup>-1</sup>
Lastschlagzahl	0-4800 min <sup>-1</sup>	0-4800 min <sup>-1</sup>
Spannhals-ø	46 mm	46 mm
Bohr-ø in Beton	26 mm	26 mm
Bohr-ø in Stahl	13 mm	13 mm
Bohr-ø in Holz	28 mm	28 mm
Leichtbohrkrone in Ziegel und Kalksandstein	65 mm	65 mm
Gewicht nach EPTA-Prozedur 01/2014 (2,0 Ah ... 12,0 Ah)	3,4 kg ... 4,4 kg	3,6 kg ... 4,6 kg
Empfohlene Umgebungstemperatur beim Arbeiten	-18...+50 °C	
Empfohlene Akkutypen	M18B...; M18HB...	
Empfohlene Ladegeräte	M12-18...; M1418C6	
<b>Geräuschinformation:</b> Messwerte ermittelt entsprechend EN 60745.		
Der A-bewertete Geräuschpegel des Gerätes beträgt typischerweise:		
Schalldruckpegel / Unsicherheit K	92,6 dB(A) / 3 dB(A)	92,6 dB(A) / 3 dB(A)
Schalleistungspegel / Unsicherheit K	103,6 dB(A) / 3 dB(A)	103,6 dB(A) / 3 dB(A)
<b>Tragen Sie Gehörschutz.</b>		
<b>Vibrationsinformationen:</b> Schwingungsgesamtwerte (Vektorsumme dreier Richtungen) ermittelt entsprechend EN 60745.		
Schwingungsemissionswert $a_{h,HD}$ / Unsicherheit K		
Hammerbohren in Beton ( $a_{h,HD}$ )	12,9 m/s <sup>2</sup> / 1,5 m/s <sup>2</sup>	12,9 m/s <sup>2</sup> / 1,5m/s <sup>2</sup>
Meißeln ( $a_{h,CBqq}$ )	14,2 m/s <sup>2</sup> / 1,5m/s <sup>2</sup>	14,2 m/s <sup>2</sup> / 1,5 m/s <sup>2</sup>

**⚠️ WARNUNG!**

Die angegebenen Schwingungsgesamtwerte und Geräuschemissionswerte wurden nach einem genormten Messverfahren gemäß EN 60745 gemessen und können für den Vergleich von Elektrowerkzeugen miteinander verwendet werden. Es kann für eine vorläufige Einschätzung der Belastung verwendet werden.

Der angegebene Schwingungs- und Geräuschemissionspegel repräsentiert die hauptsächlichen Anwendungen des Elektrowerkzeugs. Wenn allerdings das Elektrowerkzeug für andere Anwendungen, mit abweichenden Einsatzwerkzeugen oder ungenügender Wartung eingesetzt wird, können sich die Schwingungs- und Geräuschemissionen unterscheiden. Dies kann deren Wirkung über den gesamten Arbeitszeitraum deutlich erhöhen.

Bei der Abschätzung der Belastung durch Schwingungen und Lärm sollten auch die Zeiten berücksichtigt werden, in denen das Elektrowerkzeug ausgeschaltet ist oder zwar läuft, aber keine tatsächliche Arbeit verrichtet wird. Dies kann deren Wirkung über den gesamten Arbeitszeitraum deutlich reduzieren.

Legen Sie zusätzliche Sicherheitsmaßnahmen zum Schutz des Bedieners vor den Auswirkungen von Schwingungen- und / oder Lärm fest, wie z. B.: Wartung des Werkzeugs und des Zubehörs, Warmhalten der Hände, Organisation der Arbeitsabläufe.

**⚠️ WARNUNG! Lesen Sie alle Sicherheitshinweise und Anweisungen.** Versäumnisse bei der Einhaltung der Sicherheitshinweise und Anweisungen können elektrischen Schlag, Brand und/oder schwere Verletzungen verursachen. **Bewahren Sie alle Sicherheitshinweise und Anweisungen für die Zukunft auf.**

**SICHERHEITSHINWEISE FÜR BOHRHAMMER**

**Tragen Sie Gehörschutz.** Die Einwirkung von Lärm kann Gehörverlust bewirken.

**Benutzen Sie die Zusatzhandgriffe, wenn diese mit dem Gerät mitgeliefert werden.** Der Verlust der Kontrolle kann zu Verletzungen führen.

**Halten Sie das Elektrowerkzeug an den isolierten Griffflächen, wenn Sie Arbeiten ausführen, bei denen das Einsatzwerkzeug verborgene Stromleitungen treffen kann.**

Der Kontakt mit einer spannungsführenden Leitung kann metallene Geräteteile unter Spannung setzen und zu einem elektrischen Schlag führen.

**WEITERE SICHERHEITS- UND ARBEITSHINWEISE**

Schutzausrüstung verwenden. Beim Arbeiten mit der Maschine stets Schutzbrille tragen. Schutzkleidung wie Staubschutzmaske, Schutzhandschuhe, festes und rutschsicheres Schuhwerk, Helm und Gehörschutz werden empfohlen.

Beim Arbeiten entstehender Staub ist oft gesundheitsschädlich und sollte nicht in den Körper gelangen. Geeignete Staubschutzmaske tragen.

Es dürfen keine Materialien bearbeitet werden, von denen eine Gesundheitsgefährdung ausgeht (z.B. Asbest).

Beim Blockieren des Einsatzwerkzeuges bitte das Gerät sofort ausschalten! Schalten Sie das Gerät nicht wieder ein, solange das Einsatzwerkzeug blockiert ist; hierbei könnte ein Rückschlag mit hohem Reaktionsmoment entstehen. Ermitteln und beheben Sie die Ursache für die Blockierung des Einsatzwerkzeuges unter Berücksichtigung der Sicherheitshinweise.

Mögliche Ursachen dafür können sein:

- Verkanten im zu bearbeitenden Werkstück
- Durchbrechen des zu bearbeitenden Materials
- Überlasten des Elektrowerkzeuges

Greifen Sie nicht in die laufende Maschine.

Das Einsatzwerkzeug kann während der Anwendung heiß werden. **WARNUNG!** Verbrennungsgefahr

- bei Werkzeugwechsel
- bei Ablegen des Gerätes

Späne oder Splitter dürfen bei laufender Maschine nicht entfernt werden.

Beim Arbeiten in Wand, Decke oder Fußboden auf elektrische Kabel, Gas- und Wasserleitungen achten.

Sichern Sie Ihr Werkstück mit einer Spannvorrichtung. Nicht gesicherte Werkstücke können schwere Verletzungen und Beschädigungen verursachen.

Vor allen Arbeiten an der Maschine den Wechselakku herausnehmen

Verbrauchte Wechselakkus nicht ins Feuer oder in den Hausmüll werfen. Milwaukee bietet eine umweltgerechte Alt-Wechselakku-Entsorgung an; bitte fragen Sie Ihren Fachhändler.

Wechselakkus nicht zusammen mit Metallgegenständen aufbewahren (Kurzschlussgefahr).

Wechselakkus des Systems M18 nur mit Ladegeräten des Systems M18 laden. Keine Akkus aus anderen Systemen laden.

Wechselakkus und Ladegeräte nicht öffnen und nur in trockenen Räumen lagern. Vor Nässe schützen.

Unter extremer Belastung oder extremer Temperatur kann aus beschädigten Wechselakkus Batterieflüssigkeit auslaufen. Bei Berührung mit Batterieflüssigkeit sofort mit Wasser und Seife abwaschen. Bei Augenkontakt sofort mindestens 10 Minuten gründlich spülen und unverzüglich einen Arzt aufsuchen.

**Warnung!** Um die durch einen Kurzschluss verursachte Gefahr eines Brandes, von Verletzungen oder Produktbeschädigungen zu vermeiden, tauchen Sie das Werkzeug, den Wechselakku oder das Ladegerät nicht in Flüssigkeiten ein und sorgen Sie dafür, dass keine Flüssigkeiten in die Geräte und Akkus eindringen. Korrodierende oder leitfähige Flüssigkeiten, wie Salzwasser, bestimmte Chemikalien und Bleichmittel oder Produkte, die Bleichmittel enthalten, können einen Kurzschluss verursachen.

## BESTIMMUNGSGEMÄSSE VERWENDUNG

Der Akkubohrhammer ist universell einsetzbar zum Hammerbohren in Gestein und zum Bohren in Holz, Metall und Kunststoff unabhängig von einem Netzanschluss.

Dieses Gerät darf nur wie angegeben bestimmungsgemäß verwendet werden.

## RESTRISIKEN

Auch bei ordnungsgemäßer Verwendung können nicht alle Restrisiken ausgeschlossen werden. Beim Gebrauch können folgende Gefahren entstehen, auf die der Bediener besonders achten sollte:

- Durch Vibration verursachte Verletzungen. Halten Sie das Gerät an den dafür vorgesehenen Griffen und begrenzen Sie die Arbeits- und Expositionszeit.
- Lärmbelastung kann zu Gehörschädigungen führen. Tragen Sie einen Gehörschutz und schränken Sie die Expositionsdauer ein.
- Durch Schmutzpartikel verursachte Augenverletzungen. Tragen Sie immer eine Schutzbrille, feste lange Hosen, Handschuhe und festes Schuhwerk.
- Einatmen von giftigen Stäuben.

## HINWEISE FÜR LI-ION-AKKUS

### Gebrauch von Li-Ion-Akkus

Längere Zeit nicht benutzte Akkus vor Gebrauch nachladen.

Eine Temperatur über 50°C vermindert die Leistung des Akkus. Längere Erwärmung durch Sonne oder Heizung vermeiden.

Die Anschlusskontakte an Ladegerät und Akku sauber halten.

Für eine optimale Lebensdauer müssen nach dem Gebrauch die Akkus voll geladen werden.

Für eine möglichst lange Lebensdauer sollten die Akkus nach dem Aufladen aus dem Ladegerät entfernt werden.

Bei Lagerung des Akkus länger als 30 Tage: Akku bei ca. 27°C und trocken lagern.

Akku bei ca. 30%-50% des Ladezustandes lagern. Akku alle 6 Monate erneut aufladen.

### Akkuüberlastschutz bei Li-Ion-Akkus

Bei Überlastung des Akkus durch sehr hohen Stromverbrauch, z.B. extrem hohe Drehmomente, Verklemmen des Bohrers, plötzlichem Stopp oder Kurzschluss, vibriert das Elektrowerkzeug 5 Sekunden lang, die Ladeanzeige blinkt und das Elektrowerkzeug schaltet sich selbstständig ab. Zum Wiedereinschalten, den Schalterdrücker loslassen und dann wieder einschalten. Unter extremen Belastungen erhitzt sich der Akku zu stark. In diesem Fall blinken alle Lampen der Ladeanzeige bis der Akku abgekühlt ist. Nach Erlöschen der Ladeanzeige kann weitergearbeitet werden.

### Transport von Li-Ion-Akkus

Lithium-Ionen-Akkus fallen unter die gesetzlichen Bestimmungen zum Gefahrguttransport.

Der Transport dieser Akkus muss unter Einhaltung der lokalen, nationalen und internationalen Vorschriften und Bestimmungen erfolgen.

- Verbraucher dürfen diese Akkus ohne Weiteres auf der Straße transportieren.
- Der kommerzielle Transport von Lithium-Ionen-Akkus durch Speditionsunternehmen unterliegt den Bestimmungen des Gefahrguttransports. Die Versandvorbereitungen und der Transport dürfen ausschließlich von entsprechend geschulten Personen durchgeführt werden. Der gesamte Prozess muss fachmännisch begleitet werden.

Folgende Punkte sind beim Transport von Akkus zu beachten:

- Stellen Sie sicher, dass die Kontakte geschützt und isoliert sind, um Kurzschlüsse zu vermeiden.
- Achten Sie darauf, dass der Akkupack innerhalb der Verpackung nicht verrutschen kann.
- Beschädigte oder auslaufende Akkus dürfen nicht transportiert werden.

Wenden Sie sich für weitere Hinweise an Ihr Speditionsunternehmen.

## ARBEITSHINWEISE

Beim Bohren oder Hämmern nicht zu viel Kraft aufwenden. Lassen Sie den Bohrhammer für sich arbeiten.

## AUTOSTOP

**AUTOSTOP** Die AUTOSTOP™-Kickback-Funktion erkennt eine Verklemmung des Bohrers. Die Kontrollleuchte blinkt und die Elektronik schaltet den Bohrhammer ab. Zum Einschalten den Schalterdrücker loslassen und wieder drücken.

## ARBEITEN BEI KÄLTE

Wenn die Maschine über einen längeren Zeitraum oder bei niedrigen Temperaturen gelagert wird, kann die Schmierung zäh werden und es kann sein, dass die Maschine anfänglich nicht arbeitet oder die Leistung zu gering ist. Wenn das passiert:

1. Setzen Sie einen Bohrer oder Meißel in die Maschine ein.
2. Setzen Sie die Maschine auf ein Reststück Beton.
3. Betätigen Sie den Schalterdrücker alle paar Sekunden und lassen Sie ihn wieder los.

Nach 15 Sekunden bis 2 Minuten beginnt die Maschine normal zu hämmern. Je kälter die Maschine ist, desto länger dauert das Aufwärmen.

## REINIGUNG

Stets die Lüftungsslitze der Maschine sauber halten.

## WARTUNG

Bei abgenutzten Kohlebürsten sollte zusätzlich zum Kohlebürstenwechsel ein Kundendienst in einer Servicewerkstatt durchgeführt werden. Dies erhöht die Lebensdauer der Maschine und garantiert eine ständige Betriebsbereitschaft.

Nur Milwaukee Zubehör und Milwaukee Ersatzteile verwenden. Bauteile, deren Austausch nicht beschrieben wurde, bei einer Milwaukee Kundendienststelle auswechseln lassen (Broschüre Garantie/Kundendienstadressen beachten).

Bei Bedarf kann eine Explosionszeichnung des Gerätes unter Angabe der Maschinen Type und der sechsstelligen Nummer auf dem Leistungsschild bei Ihrer Kundendienststelle oder direkt bei Techtronic Industries GmbH, Max-Eyth-Straße 10, 71364 Winnenden, Germany angefordert werden.

## SYMBOLS

	Bitte lesen Sie die Gebrauchsanweisung vor Inbetriebnahme sorgfältig durch.
	ACHTUNG! WARNUNG! GEFAHR!
	Vor allen Arbeiten an der Maschine den Wechselakku herausnehmen
	Beim Arbeiten mit der Maschine stets Schutzbrille tragen.
	Gehörschutz tragen!
	Geeignete Staubschutzmaske tragen.
	Schutzhandschuhe tragen!
	Das Antivibrationssystem verringert Vibrationen der Maschine am Handgriff.
	Zubehör - Im Lieferumfang nicht enthalten, empfohlene Ergänzung aus dem Zubehörprogramm.
	Elektrogeräte, Batterien/Akkus dürfen nicht zusammen mit dem Hausmüll entsorgt werden. Elektrische Geräte und Akkus sind getrennt zu sammeln und zur umweltgerechten Entsorgung bei einem Verwertungsbetrieb abzugeben. Erkundigen Sie sich bei den örtlichen Behörden oder bei Ihrem Fachhändler nach Recyclinghöfen und Sammelstellen.
	Leerlaufdrehzahl
	Spannung
	Gleichstrom
	Europäisches Konformitätszeichen

	Britisches Konformitätszeichen
	Ukrainisches Konformitätszeichen
	Euroasiatisches Konformitätszeichen

## CARACTÉRISTIQUES TECHNIQUES

	M18 FH	M18 FHX
Type	Perforateur sans fil	Perforateur sans fil
Numéro de série	4831 62 01 XXXXX MJJJJ	4831 72 01 XXXXX MJJJJ
Tension accu interchangeable	18 V ---	18 V ---
Energie de frappe individuelle	2,5 J	2,5 J
Vitesse de rotation à vide	0-1330 min <sup>-1</sup>	0-1330 min <sup>-1</sup>
Perçage à percussion charge	0-4800 min <sup>-1</sup>	0-4800 min <sup>-1</sup>
Ø du collier de serrage	46 mm	46 mm
Ø de perçage dans le béton	26 mm	26 mm
Ø de perçage dans acier	13 mm	13 mm
Ø de perçage dans bois	28 mm	28 mm
Couronne dentée à percussion pour briques et briques silico-calcaires	65 mm	65 mm
Poids suivant EPTA-Procédure 01/2014 ((2,0 Ah ... 12,0 Ah))	3,4 kg ... 4,4 kg	3,6 kg ... 4,6 kg
Température conseillée lors du travail		-18...+50 °C
Batteries conseillées	M18B...; M18HB...	
Chargeurs de batteries conseillés	M12-18...; M1418C6	

**Informations sur le bruit:** Valeurs de mesure obtenues conformément à la EN 60745.

Les mesures réelles (des niveaux acoustiques de l'appareil) sont :

Niveau de pression acoustique / Incertitude K	92,6 dB(A) / 3 dB(A)	92,6 dB(A) / 3 dB(A)
Niveau d'intensité acoustique / Incertitude K	103,6 dB(A) / 3 dB(A)	103,6 dB(A) / 3 dB(A)

**Portez une protection acoustique.**

**Informations sur les vibrations:** Valeurs totales des vibrations (somme vectorielle de trois sens) établies conformément à EN 60745.

Valeur d'émission vibratoire a <sub>v</sub> / Incertitude K		
Perçage à percussion le béton (a <sub>v,HD</sub> )	12,9 m/s <sup>2</sup> / 1,5 m/s <sup>2</sup>	12,9 m/s <sup>2</sup> / 1,5 m/s <sup>2</sup>
Burinage (a <sub>v,Chaq</sub> )	14,2 m/s <sup>2</sup> / 1,5 m/s <sup>2</sup>	14,2 m/s <sup>2</sup> / 1,5 m/s <sup>2</sup>

## AVERTISSEMENT!

Le niveau de vibration et d'émissions sonores indiqué dans cette fiche de données a été mesuré en respect d'une méthode standard de test selon la norme EN 60745 et peut être utilisé pour comparer les outils entre eux. Il peut être utilisé pour évaluation préliminaire de l'exposition.

Le niveau de vibration et d'émissions sonores déclaré correspond à l'application principale de l'outil. Cependant, si l'outil est utilisé pour des applications différentes, avec différents accessoires ou est mal entretenu, les vibrations et les émissions sonores peuvent différer. Cela peut augmenter considérablement le niveau d'exposition au cours de la période de travail totale.

Une estimation du niveau d'exposition aux vibrations et au bruit devrait également tenir compte des temps d'arrêt de l'outil ou des périodes où il est en marche mais n'effectue pas réellement le travail. Cela peut réduire considérablement le niveau d'exposition au cours de la période de travail totale.

Identifier des mesures de sécurité supplémentaires pour protéger l'opérateur des effets des vibrations et/ou du bruit tels que : l'entretien de l'outil et des accessoires, le maintien au chaud des mains, l'organisation des processus de travail.

**AVIS! Lire complètement les instructions et les indications de sécurité.** Le non-respect des avertissements et instructions indiqués ci après peut entraîner un choc électrique, un incendie et/ou de graves blessures sur les personnes.  
**Bien garder tous les avertissements et instructions.**

## INDICATIONS DE SÉCURITÉ POUR MARTEAU PERFORATEUR

**Portez une protection acoustique.** L'influence du bruit peut provoquer la surdité.

**Utilisez les poignées supplémentaires livrées en même temps que l'appareil.** La perte de contrôle peut mener à des blessures.

**Tenir l'outil électrique par des surfaces de préhension isolées pendant toute opération au cours de laquelle l'accessoire de coupe peut entrer en contact avec des fils dissimulés.** Des accessoires de coupe entrant en contact avec un fil „actif“ peuvent rendre „actives“ des parties métalliques accessibles de l'outil électrique et provoquer un choc électrique chez l'opérateur.

## AVIS COMPLÉMENTAIRES DE SÉCURITÉ ET DE TRAVAIL

Utiliser l'équipement de protection. Toujours porter des lunettes de protection pendant le travail avec la machine. Il est recommandé de porter des articles de protection, tels que masque antipoussière, gants de protection, chaussures tenant bien aux pieds et antidérapantes, casque et protection acoustique.

Les poussières qui sont dégagées pendant les travaux sont souvent nocives pour la santé et ne devraient pas pénétrer dans le corps. Porter un masque de protection approprié contre les poussières.

Il est interdit de travailler des matériaux dangereux pour la santé (par ex. amiante).

Désactiver immédiatement le dispositif en cas de blocage ! Ne pas réactiver le dispositif avec l'outil bloqué; il y a le risque de provoquer un contrecoup avec moment de réaction élevé. Établir et éliminer la cause du blocage de l'outil en prêtant attention aux consignes de sécurité.

Les causes possibles sont :

- Encastrement dans la pièce à travailler.
- Le dispositif a traversé le matériau à travailler en le cassant.
- Le dispositif électrique a été surchargé.

Ne pas approcher les mains de la partie en mouvement de la machine.

Durant l'utilisation, l'outil peut se surchauffer.

- AVERTISSEMENT!** Danger de brûlures
- durant le remplacement de l'outil
  - durant la dépose de l'outil

Ne jamais enlever les copeaux ni les éclats lorsque la machine est en marche.

Lors du perçage dans les murs, les plafonds ou les planchers, toujours faire attention aux câbles électriques et aux conduites de gaz et d'eau.

Fixer fermement la pièce en exécution à l'aide d'un dispositif de

serrage. Des pièces en exécution non fermement fixées peuvent provoquer des dommages et des lésions graves.

Avant tous travaux sur la machine retirer l'accu interchangeable.

Ne pas jeter les accus interchangeables usés au feu ou avec les déchets ménagers. Milwaukee offre un système d'évacuation écologique des accus usés.

Ne pas conserver les accus interchangeables avec des objets métalliques (risque de court-circuit)

Ne charger les accus interchangeables du système M18 qu'avec le chargeur d'accus du système M18. Ne pas charger des accus d'autres systèmes.

Ne pas ouvrir les accus interchangeables et les chargeurs et ne les stocker que dans des locaux secs. Les protéger contre l'humidité.

En cas de conditions ou températures extrêmes, du liquide caustique peut s'échapper d'un accu interchangeable endommagé. En cas de contact avec le liquide caustique de la batterie, laver immédiatement avec de l'eau et du savon. En cas de contact avec les yeux, rincer soigneusement avec de l'eau et consulter immédiatement un médecin.

**AVERTISSEMENT!** Pour réduire le risque d'incendie, de blessures corporelles et de dommages causés par un court-circuit, ne jamais immerger l'outil, le bloc-piles ou le chargeur dans un liquide ou laisser couler un fluide à l'intérieur de celui-ci. Les fluides corrosifs ou conducteurs, tels que l'eau de mer, certains produits chimiques industriels, les produits de blanchiment ou de blanchiment, etc., peuvent provoquer un court-circuit.

## UTILISATION CONFORME AUX PRESCRIPTIONS

Le marteau-perforateur à accu est conçu pour un travail universel de perçage à percussion dans la maçonnerie, ainsi que pour le perçage du bois, du métal et des matières plastiques.

Comme déjà indiqué, cette machine n'est conçue que pour être utilisée conformément aux prescriptions.

## RISQUES RÉSIDUELS

Même en cas d'utilisation correcte, il n'est pas possible d'exclure tous les risques résiduels. Lors de l'utilisation, les risques suivants pourront être présents et l'utilisateur devra prêter une attention particulière en vue de les éviter :

- Blessures causées par les vibrations. Tenir le dispositif à l'aide de ses poignées et limiter les temps de travail et d'exposition.
- L'exposition au bruit peut causer des dommages auditifs. Porter une protection auditive et limiter la durée de l'exposition.
- Lésions oculaires causées par des particules de déchets. Toujours porter des lunettes de sécurité, de pantalon long lourd, des gants et des chaussures robustes.
- Inhalation de gaz toxiques.

## REMARQUE CONCERNANT LES ACCUS LI-ION

### Utilisation d'accus Li-Ion

Recharger les accus avant utilisation après une longue période de non utilisation.

Une température supérieure à 50°C amoindrit la capacité des accus. Éviter les expositions prolongées au soleil ou au chauffage.

Maintenez les contacts de raccord dans un parfait état de propreté sur le chargeur et l'accu.

Pour une durée de vie optimale, les accus doivent être chargés à fond après l'utilisation.

Pour une plus longue durée de vie, enlevez les accus du chargeur quand celles-ci sont chargées.

En cas d'entreposage de la batterie pour plus de 30 jours: Entreposer la batterie à 27°C environ dans un endroit sec. Entreposer la batterie avec une charge d'environ 30% - 50%. Recharger la batterie tous les 6 mois.

## Protection des accus Li-Ion

En cas d'une surcharge de l'accu à cause d'une très haute consommation de courant, par exemple suite à des couples extrêmement élevés, un coincement du foret, un arrêt soudain ou un court-circuit, l'outil électrique vibre pendant 5 secondes, l'indicateur de charge clignote et l'outil électrique se déconnecte automatiquement.

Pour le ré-enclencher, relâcher le poussoir de l'interrupteur, puis enclencher à nouveau l'appareil.

Sous des sollicitations extrêmes, l'accu s'échauffe trop fortement. Dans ce cas, tous les témoins de l'indicateur de charge clignotent jusqu'à ce que l'accu se soit refroidi. Il est possible de continuer à travailler dès que l'indicateur de charge s'est éteint.

## Transport des accus Li-Ion

Les batteries lithium-ion sont soumises aux dispositions législatives concernant le transport de produits dangereux.

Le transport de ces batteries devra s'effectuer dans le respect des dispositions et des normes locales, nationales et internationales.

- Les utilisateurs peuvent transporter ces batteries sans restrictions.
- Le transport commercial de batteries lithium-ion est réglé par les dispositions concernant le transport de produits dangereux. La préparation au transport et le transport devront être effectués uniquement par du personnel formé de façon adéquate. Tout le procédé devra être géré d'une manière professionnelle.

Durant le transport de batteries il faut respecter les consignes suivantes :

- S'assurer que les contacts soient protégés et isolés en vue d'éviter des courts-circuits.
- S'assurer que le groupe de batteries ne puisse pas se déplacer à l'intérieur de son emballage.
- Des batteries endommagées ou des batteries perdant du liquide ne devront pas être transportées.

Pour tout renseignement complémentaire veuillez vous adresser à votre transporteur professionnel.

## CONSIGNES DE TRAVAIL

N'exercez pas une force excessive lors du perçage ou du martelage. Laissez le marteau perforateur travailler pour vous.

## ARRÊT AUTOMATIQUE

**AUTOSTOP** La fonction de antirebond AUTOSTOP™ détecte le blocage de la mèche. Le témoin lumineux clignote et l'électronique éteint le marteau perforateur. Pour l'allumer, relâchez la poignée de la gâchette et appuyez à nouveau.

## TRAVAILLER EN MILIEU FROID

Travailler dans des conditions de froid Si la machine est stockée pendant une longue période ou à basse température, la lubrification peut devenir difficile et il est possible que la machine ne fonctionne pas au départ ou que le rendement soit trop faible. Si tel est le cas :

1. Insérez un foret ou un ciseau dans la machine.
2. Placez la machine sur un morceau de béton restant.
3. Appuyez et relâchez la gâchette toutes les quelques secondes. Après une période allant de 15 secondes à 2 minutes, la machine commence à marteler normalement. Plus la machine est froide, plus il lui faudra de temps pour se réchauffer.

## NETTOYAGE

Tenir toujours propres les orifices de ventilation de la machine.






## ENTRETIEN









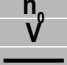
Attention! Lorsque les balais (charbons) sont usés, il est recommandé de faire effectuer, outre le changement des balais (charbons), une inspection dans une station de service après-vente. Ceci augmente la durée de vie de la machine et garantit un fonctionnement permanent de la machine.

Utiliser uniquement les accessoires Milwaukee et les pièces détachées Milwaukee. Faire remplacer les composants dont le remplacement n'a pas été décrit, par un des centres de service après-vente Milwaukee (calcever la brochure avec les adresses de garantie et de service après-vente).

En cas de besoin il est possible de demander un dessin éclaté du dispositif en indiquant le modèle de la machine et le numéro de six chiffres imprimé sur la plaquette de puissance et en s'adressant au centre d'assistance technique ou directement à Techtronic Industries GmbH, Max-Eyth-Straße 10, 71364 Winnenden, Germany.

	Marque de conformité britannique
	Marque de conformité ukrainienne
	Marque de conformité d'Eurasie

## SYMBOLES

	Veuillez lire avec soin le mode d'emploi avant la mise en service
	ATTENTION! AVERTISSEMENT! DANGER!
	Avant tous travaux sur la machine retirer l'accu interchangeable.
	Toujours porter des lunettes protectrices en travaillant avec la machine.
	Toujours porter une protection acoustique!
	Porter un masque de protection approprié contre les poussières.
	Porter des gants de protection!
	Le système anti-vibration réduit les vibrations de la machine au niveau de la poignée.
	Accessoires - Ces pièces ne font pas partie de la livraison. Il s'agit là de compléments recommandés pour votre machine et énumérés dans le catalogue des accessoires.
	Les dispositifs électriques, les batteries et les batteries rechargeables ne sont pas à éliminer dans les déchets ménagers. Les dispositifs électriques et les batteries sont à collecter séparément et à remettre à un centre de recyclage en vue de leur élimination dans le respect de l'environnement. S'adresser aux autorités locales ou au détaillant spécialisé en vue de connaître l'emplacement des centres de recyclage et des points de collecte.
	Nombre de tours à vide
	Voltage
	Courant continu
	Marque de conformité européenne

DATI TECNICI	M18 FH	M18 FHX
Tipo di costruzione	Tassellatore a batteria	Tassellatore a batteria
Numero di serie	4831 62 01 XXXXXX MJJJJ	4831 72 01 XXXXXX MJJJJ
Tensione batteria	18 V ---	18 V ---
Energia percussione unica	2,5 J	2,5 J
Numero di giri a vuoto	0-1330 min <sup>-1</sup>	0-1330 min <sup>-1</sup>
Percussione a pieno carico	0-4800 min <sup>-1</sup>	0-4800 min <sup>-1</sup>
Ø collarino di fissaggio	46 mm	46 mm
Ø Foratura in calcestruzzo	26 mm	26 mm
Ø Foratura in acciaio	13 mm	13 mm
Ø Foratura in legno	28 mm	28 mm
Corona a forare nel mattone e nell'arenaria calcarea	65 mm	65 mm
Peso secondo la procedura EPTA 01/2014 ((2,0 Ah ... 12,0 Ah))	3,4 kg ... 4,4 kg	3,6 kg ... 4,6 kg
Temperatura consigliata durante il lavoro	-18...+50 °C	
Batterie consigliate	M18B...; M18HB...	
Caricatori consigliati	M12-18...; M1418C6	

**Informazioni sulla rumorosità:** Valori misurati conformemente alla norma EN 60745.

La misurazione A del livello di pressione acustica dell'utensile è di solito di:

Livello di rumorosità / Incertezza della misura K	92,6 dB(A) / 3 dB(A)	92,6 dB(A) / 3 dB(A)
Potenza della rumorosità / Incertezza della misura K	103,6 dB(A) / 3 dB(A)	103,6 dB(A) / 3 dB(A)

**Indossare protezioni acustiche adeguate.**

**Informazioni sulle vibrazioni:** Valori totali delle oscillazioni (somma di vettori in tre direzioni) misurati conformemente alla norma EN 60745.

Valore di emissione dell'oscillazione  $a_h$  / Incertezza della misura K

Forare in calcestruzzo ( $a_{h,HD}$ )	12,9 m/s <sup>2</sup> / 1,5 m/s <sup>2</sup>	12,9 m/s <sup>2</sup> / 1,5 m/s <sup>2</sup>
Scalpellare ( $a_{h,Cheq}$ )	14,2 m/s <sup>2</sup> / 1,5 m/s <sup>2</sup>	14,2 m/s <sup>2</sup> / 1,5 m/s <sup>2</sup>

### AVVERTENZA!

Il/i valore/i di emissione acustica riportato/i in questa scheda informativa sono stati misurati conformemente a un metodo di prova standard sulla base della norma EN 60745 e possono essere utilizzati per confrontare gli utensili tra loro. Può/possono essere utilizzato/i anche per una valutazione preliminare dell'esposizione.

Il livello di vibrazione ed emissione acustica dichiarato rappresenta le applicazioni principali dell'utensile. Tuttavia, se l'utensile è utilizzato per applicazioni diverse, con accessori differenti o una manutenzione non adeguata, la vibrazione e l'emissione acustica potrebbero variare. Ciò può aumentare significativamente il livello di esposizione durante l'intera durata del lavoro.

Una stima del livello di esposizione alle vibrazioni e al rumore dovrebbe tenere conto anche dei periodi in cui l'utensile è spento o è in funzione ma non sta lavorando. Ciò può ridurre significativamente il livello di esposizione durante l'intera durata del lavoro.

Identificare le misure di sicurezza supplementari per proteggere l'operatore dagli effetti delle vibrazioni e/o del rumore, ad esempio eseguendo la manutenzione dell'utensile e degli accessori, mantenendo le mani calde e organizzando gli schemi di lavoro.

**AVVERTENZA! Leggere tutte le istruzioni ed indicazioni di sicurezza.** In caso di mancato rispetto delle avvertenze di pericolo e delle istruzioni operative si potrà creare il pericolo di scosse elettriche, incendi e/o incidenti gravi. **Conservare tutte le avvertenze di pericolo e le istruzioni operative per ogni esigenza futura.**

### INDICAZIONI DI SICUREZZA PER MARTELLI ROTATIVI

**Indossare protezioni acustiche adeguate.** L'esposizione prolungata al rumore senza protezione può causare danni all'udito.

**Utilizzare l'utensile con la sua impugnatura supplementare.** La perdita di controllo potrebbe causare danneggiamenti all'utilizzatore.

**Impugnare l'apparecchio sulle superfici di tenuta isolate mentre si eseguono lavori durante i quali l'utensile da taglio potrebbe entrare in contatto con cavi di corrente.**

L'eventuale contatto dell'utensile da taglio con un cavo sotto tensione potrebbe mettere sotto tensione le parti metalliche dell'apparecchio e provocare una folgorazione.

### ULTERIORI AVVISI DI SICUREZZA E DI LAVORO

Usare dispositivi di protezione. Durante il lavoro con la macchina bisogna sempre portare occhiali di protezione. Si consiglia di indossare indumenti di protezione come maschera antipolvere, guanti di protezione, scarpe antiscivolo robuste, casco e cuffie di protezione acustica.

La polvere che si produce durante il lavoro è spesso dannosa per la salute e non dovrebbe essere aspirata. Portare un'adeguata mascherina protettiva.

E' vietato lavorare materiali che possono costituire pericoli alla salute (ad es. amianto).

Spegnere immediatamente il dispositivo in caso di bloccaggio! Non riaccendere il dispositivo fino a quando l'utensile ad inserto resta bloccato; esiste il rischio di causare un contraccolpo con elevato momento di reazione. Rilevare ed eliminare la causa del bloccaggio dell'utensile ad inserto tenendo conto delle indicazioni di sicurezza.

Le possibili cause sono:

- Incastro nel pezzo in lavorazione
- Il dispositivo ha attraversato il materiale da lavorare rompendolo
- Il dispositivo elettrico è stato sovraccaricato

Non avvicinare le mani alla parte della macchina in movimento.

Durante l'uso l'utensile ad inserto può surriscaldarsi.

- AVVERTENZA!** Pericolo di ustioni
- durante la sostituzione dell'utensile
  - durante il deposito dell'utensile

Non rimuovere trucioli o schegge mentre l'utensile è in funzione.

Forando pareti, soffitti o pavimenti, si faccia attenzione ai cavi elettrici e alle condutture dell'acqua e del gas.

Fissare in sicurezza il pezzo in lavorazione con un dispositivo di serraggio. Pezzi in lavorazione che non siano fissati in sicurezza possono causare gravi lesioni e danni.

Prima di iniziare togliere la batteria dalla macchina.

Non gettare le batterie esaurite sul fuoco o nella spazzatura di casa. La Milwaukee offre infatti un servizio di recupero batterie usate.

Nel vano d'innesto per la batteria del caricatore non devono entrare parti metalliche. (pericolo di cortocircuito).

Le batterie del System M18 sono ricaricabili esclusivamente con i caricatori del System M18. Le batterie di altri sistemi non possono essere ricaricate.

Non aprire né la batteria né il caricatore e conservarli solo in luogo asciutto. Proteggerli dalla umidità.

Nel caso di batterie danneggiate da un carico eccessivo o da temperature alte, l'acido di queste potrebbe fuoriuscire. In caso di contatto con l'acido delle batterie lavarsi immediatamente con acqua e sapone. In caso di contatto con gli occhi risciacquare immediatamente con acqua per almeno 10 minuti e contattare subito un medico.

**Attenzione!** Per ridurre il rischio d'incendio, di lesioni o di danni al prodotto causati da corto circuito, non immergere mai l'utensile, la batteria ricaricabile o il carica batterie in un liquido e non lasciare mai penetrare alcun liquido all'interno dei dispositivi e delle batterie. I fluidi corrosivi o conduttori come acqua salata, alcuni agenti chimici, agenti candeggianti o prodotti contenenti agenti candeggianti potrebbero provocare un corto circuito.

## UTILIZZO CONFORME

Il martello perforatore Accu è utilizzabile universalmente per forare a percussione e per forare legno, metallo e materiali sintetici.

Utilizzare il prodotto solo per l'uso per cui è previsto.

## RISCHI RESIDUI

Anche in caso di utilizzo corretto non è possibile escludere tutti i rischi residui. Durante l'uso possono esistere i seguenti pericoli e l'utilizzatore deve porre particolare attenzione per evitarli:

- Lesioni causate da vibrazioni. Tenere il dispositivo sulle apposite impugnature e limitare i tempi di lavoro e di esposizione.
- L'esposizione al rumore può causare danni all'udito. Indossare una protezione per l'udito e limitare la durata dell'esposizione.
- Lesioni agli occhi causate da particelle di detriti. Indossare sempre occhiali di protezione, pantaloni lunghi pesanti, guanti e scarpe robuste.
- Inalazione di polveri tossiche.

## NOTE PER BATTERIE AGLI IONI DI LITIO

### Uso di batterie agli ioni di litio

Batterie non utilizzate per molto tempo devono essere ricaricate prima dell'uso.

A temperature superiori ai 50°C, la potenza della batteria si riduce. Evitare il riscaldamento prolungato dal sole o il riscaldamento.

Tenere puliti i contatti di connessione sul caricatore e sulla batteria.

Per una ottimale vita utile è necessario ricaricare completamente le batterie dopo l'uso.

Per una più lunga durata, rimuovere le batterie dal caricabatterie quando saranno cariche.

In caso di immagazzinaggio della batteria per più di 30 giorni: Immagazzinare la batteria a circa 27°C in ambiente asciutto.

Immagazzinare la batteria con carica di circa il 30% - 50%. Ricaricare la batteria ogni 6 mesi.

### Protezione contro il sovraccarico di batterie agli ioni di litio

In caso di sovraccarico dell'accumulatore dovuto ad un consumo molto elevato di corrente, ad es. momenti di coppia estremamente elevati, bloccaggio della punta del trapano, arresto improvviso o corto circuito, l'utensile elettrico vibra per 5 secondi, il display di carica lampeggia e l'elettrotensile si spegne automaticamente. Per riaccenderlo rilasciare l'interruttore e poi riaccenderlo.

Se sottoposto a sollecitazioni estreme l'accumulatore si riscalda eccessivamente. In questo caso lampeggiano tutte le spie del display di carica finché l'accumulatore non è raffreddato. Quando il

display di carica si spegne si può continuare a lavorare.

### Trasporto di batterie agli ioni di litio

Le batterie agli ioni di litio sono soggette alle disposizioni di legge sul trasporto di merce pericolosa.

Il trasporto di queste batterie deve avvenire rispettando le disposizioni e norme locali, nazionali ed internazionali.

- Gli utilizzatori possono trasportare queste batterie su strada senza alcuna restrizione.
- Il trasporto commerciale di batterie agli ioni di litio è regolato dalle disposizioni sul trasporto di merce pericolosa. Le preparazioni al trasporto ed il trasporto stesso devono essere svolti esclusivamente da persone idoneamente istruite. Tutto il processo deve essere gestito in maniera professionale.

Durante il trasporto di batterie occorre tenere conto di quanto segue:

- Assicurarsi che i contatti siano protetti ed isolati per evitare corto circuiti.
- Accertarsi che il gruppo di batterie non possa spostarsi all'interno dell'imballaggio.
- Batterie danneggiate o batterie che perdono liquido non devono essere trasportate.

Per ulteriori informazioni si prega di contattare il proprio trasportatore.

## ISTRUZIONI DI LAVORO

Non usare troppa forza quando si fora o si martella. Lasciare lavorare il trapano a percussione.

## AUTOSTOP

**AUTOSTOP** La funzione kickback AUTOSTOP™ rileva un eventuale inceppamento della punta. La spia luminosa lampeggia e l'elettronica spegne il martello perforatore. Per accendere, rilasciare l'interruttore a pressione e premerlo di nuovo.

## LAVORARE AL FREDDO

Se il dispositivo viene immagazzinato per un lungo periodo di tempo o se viene conservato a basse temperature, la lubrificazione può diventare viscosa e può verificarsi che il dispositivo inizialmente non riesca a lavorare o che le sue prestazioni non siano soddisfacenti. In questi casi:

1. Inserire una punta o uno scalpello nel dispositivo.
2. Posizionare il dispositivo su un pezzo di cemento residuo.
3. Premere e rilasciare l'interruttore a pulsante ripetutamente con pochi secondi di intervallo.

Dopo un periodo da 15 secondi a 2 minuti il dispositivo inizia a lavorare normalmente. Più freddo è il dispositivo, più tempo sarà necessario per riscaldarlo.

## PULIZIA

Tener sempre ben pulite le fessure di ventilazione dell'apparecchio.

## MANUTENZIONE

Informazione importante! Nel caso che il carboncino si sia consumato oltre il limite di sostituzione è necessario portare l'apparecchio ad un centro di assistenza, onde garantire la massima affidabilità ed efficienza dello stesso.

Usare solo accessori Milwaukee e pezzi di ricambio Milwaukee. Gruppi costruttivi la cui sostituzione non è stata descritta, devono essere fatti cambiare da un punto di servizio di assistenza tecnica al cliente Milwaukee (vedi depliant garanzia/indirizzi assistenza tecnica ai clienti).

In caso di necessità è possibile richiedere un disegno esploso del dispositivo indicando il modello della macchina ed il numero a sei cifre sulla targa di potenza rivolgendosi al centro di

assistenza tecnica o direttamente a Techtronic Industries GmbH, Max-Eyth-Straße 10, 71364 Winnenden, Germany.

## SIMBOLI

	Leggere attentamente le istruzioni per l'uso prima di mettere in funzione l'elettrotensile.
	ATTENZIONE! AVVERTENZA! PERICOLO!
	Prima di iniziare togliere la batteria dalla macchina.
	Durante l'uso dell'apparecchio utilizzare sempre gli occhiali di protezione.
	Utilizzare le protezioni per l'udito!
	Portare un'adeguata mascherina protettiva.
	Indossare guanti protettivi!
	Il sistema antivibrazioni riduce le vibrazioni della macchina all'impugnatura.
	Accessorio - Non incluso nella dotazione standard, disponibile a parte come accessorio.
	I dispositivi elettrici, le batterie e le batterie ricaricabili non devono essere smaltiti con i rifiuti domestici. I dispositivi elettrici e le batterie devono essere raccolti separatamente e devono essere conferiti ad un centro di riciclaggio per lo smaltimento rispettoso dell'ambiente. Chiedere alle autorità locali o al rivenditore specializzato dove si trovano i centri di riciclaggio e i punti di raccolta.
	Numero di giri a vuoto
	Voltaggio
	Corrente continua
	Marchio di conformità europeo
	Marchio di conformità britannico
	Marchio di conformità ucraino
	Marchio di conformità euroasiatico

DATOS TÉCNICOS	M18 FH	M18 FHX
Tipo de construcción	Martillo Rotativo a Batería	Martillo Rotativo a Batería
Número de producción	4831 62 01 XXXXXX MJJJJ	4831 72 01 XXXXXX MJJJJ
Voltaje de batería	18 V ---	18 V ---
Fuerza de impacto individual	2,5 J	2,5 J
Velocidad en vacío	0-1330 min <sup>-1</sup>	0-1330 min <sup>-1</sup>
Frecuencia de impactos bajo carga	0-4800 min <sup>-1</sup>	0-4800 min <sup>-1</sup>
Diámetro de cuello de amarre	46 mm	46 mm
Diámetro de taladrado en hormigón	26 mm	26 mm
Diámetro de taladrado en acero	13 mm	13 mm
Diámetro de taladrado en madera	28 mm	28 mm
Diámetro de broca de corona ligera en mampostería/ ladrillo	65 mm	65 mm
Peso de acuerdo con el procedimiento EPTA 01/2014 ((2,0 Ah ... 12,0 Ah))	3,4 kg ... 4,4 kg	3,6 kg ... 4,6 kg
Temperatura ambiente recomendada durante el trabajo		-18...+50 °C
Tipos de acumulador recomendados	M18B...; M18HB...	
Cargadores recomendados	M12-18...; M1418C6	

**Información sobre ruidos:** Determinación de los valores de medición según norma EN 60745.

El nivel de ruido típico del aparato determinado con un filtro A corresponde a:

Presión acústica / Tolerancia K	92,6 dB(A) / 3 dB(A)	92,6 dB(A) / 3 dB(A)
Resonancia acústica / Tolerancia K	103,6 dB(A) / 3 dB(A)	103,6 dB(A) / 3 dB(A)

#### ¡Utilice protección auditiva!

**Informaciones sobre vibraciones:** Nivel total de vibraciones (suma vectorial de tres direcciones) determinado según EN 60745.

Valor de vibraciones generadas  $a_{h,HD}$  / Tolerancia K

Taladrar en hormigón ( $a_{h,HD}$ )	12,9 m/s <sup>2</sup> / 1,5 m/s <sup>2</sup>	12,9 m/s <sup>2</sup> / 1,5 m/s <sup>2</sup>
Cincelar ( $a_{h,Chaq}$ )	14,2 m/s <sup>2</sup> / 1,5 m/s <sup>2</sup>	14,2 m/s <sup>2</sup> / 1,5 m/s <sup>2</sup>

## ⚠ ADVERTENCIA!

El nivel de emisión de ruido y vibración indicado en esta hoja informativa se ha medido de acuerdo con una prueba estandarizada que figura en EN 60745 y se puede usar para comparar una herramienta con otra. Puede ser empleado para una evaluación preliminar de la exposición.

El nivel declarado emisión de vibración y ruido representa las principales aplicaciones de la herramienta. Sin embargo, si la herramienta se utiliza para diferentes aplicaciones, con diferentes accesorios o con un mantenimiento deficiente, la emisión de ruido y vibración puede diferir. Esto puede aumentar significativamente el nivel de exposición durante el periodo total de trabajo.

También se debe tener en cuenta una estimación del nivel de exposición a la vibración y el ruido cuando la herramienta está apagada o cuando está funcionando, pero no está haciendo su trabajo. Esto puede reducir significativamente el nivel de exposición durante el periodo total de trabajo.

Identifique medidas de seguridad adicionales para proteger al operador de los efectos de la vibración o el ruido, como realizar mantenimiento de la herramienta y los accesorios, mantener las manos calientes y organizar las pautas de trabajo.

## ⚠ ATENCIÓN Lea atentamente las indicaciones e instrucciones de seguridad.

En caso de no atenderse a las advertencias de peligro e instrucciones siguientes, ello puede ocasionar una descarga eléctrica, un incendio y/o lesión grave.

**Guardar todas las advertencias de peligro e instrucciones para futuras consultas.**

### INSTRUCCIONES DE SEGURIDAD PARA TALADRO DE PERCUSIÓN

**¡Utilice protección auditiva!** La exposición a niveles de ruido excesivos puede causar pérdida de audición

**¡Utilice las empuñaduras auxiliares suministradas con la herramienta!** La pérdida de control de la herramienta puede causar accidentes

**Sujete el aparato de las superficies aisladas de agarre al efectuar trabajos en los cuales la perforadora de percusión pueda entrar en contacto con conductores de corriente ocultos.** El contacto de la perforadora de percusión con un conducto con energía aplicada también podrá poner bajo tensión partes metálicas del aparato y causar un choque eléctrico.

### INSTRUCCIONES ADICIONALES DE SEGURIDAD Y LABORALES

Utilice el equipamiento de protección. Mientras trabaje con la máquina lleve siempre gafas protectoras. Se recomienda utilizar ropa de protección como máscara protectora contra el polvo, guantes protectores, calzado resistente y antideslizante, casco y protección para los oídos.

El polvo que se produce durante estos trabajos puede ser nocivo a la salud; es por ello aconsejable que no penetre al cuerpo. Utilice por ello una máscara protectora contra polvo.

No se deben trabajar materiales que conlleven un riesgo para la salud (por ej. amianto).

¡En caso de que se bloquee el útil, el aparato se debe desconectar inmediatamente! No vuelva a conectar el aparato, mientras el útil esté bloqueado; se podría producir un rechazo debido a la reacción de retroceso brusca. Averigüe y elimine la causa del bloqueo del útil, teniendo en cuenta las indicaciones de seguridad.

Causas posibles para ello pueden ser:

- Atascamiento o bloqueo en la pieza de trabajo
- Rotura del material con el que está trabajando
- Sobrecarga de la herramienta eléctrica

No introduzca las manos en la máquina mientras ésta se encuentra en funcionamiento.

El útil se puede calentar durante el uso.  
**ADVERTENCIA!** Peligro de quemaduras

- en caso de cambiar la herramienta
- en caso de depositar el aparato

Nunca se debe intentar limpiar el polvo o viruta procedente del taladrado con la máquina en funcionamiento.

Para trabajar en paredes, techo o suelo, tenga cuidado para evitar los cables eléctricos y tuberías de gas o agua.

Fije la pieza de trabajo con un dispositivo de fijación. Las piezas de trabajo no fijadas pueden causar lesiones graves y deterioros.

Retire la batería antes de comenzar cualquier trabajo en la máquina.

No tire las baterías usadas a la basura ni al fuego. Los Distribuidores Milwaukee ofrecen un servicio de recogida de baterías antiguas para proteger el medio ambiente.

No almacene la batería con objetos metálicos (riesgo de cortocircuito).

Recargar solamente los acumuladores del Sistema M18 en cargadores M18. No intentar recargar acumuladores de otros sistemas.

No abra nunca las baterías ni los cargadores y guárdelos sólo en lugares secos. Protéjalos de la humedad en todo momento.

En caso de sobrecarga o alta temperatura, pueden llegar a producirse escapes de ácido provenientes de la batería. En caso de contacto con éste, límpielo inmediatamente la zona con agua y jabón. Si el contacto es en los ojos, límpiese concienzudamente con agua durante 10 minutos y acuda inmediatamente a un médico

**Advertencia!** Para reducir el riesgo de incendio, lesión personales y daños al producto debido a un cortocircuito, no sumerja nunca la herramienta, el pa-quete de baterías o el cargador en líquido ni permita que fluya un fluido dentro de ellos. Los fluidos corrosivos o conductivos, como el agua de mar, ciertos productos químico-industriales y blanqueadores o lejías que contienen, etc., Pueden causar un cortocircuito.

### APLICACIÓN DE ACUERDO A LA FINALIDAD

El martillo electroneumático por acumulador se puede usar universalmente para taladrado a percusión, así como para taladrar madera, metal y plástico.

No utilice este producto para ninguna otra aplicación que no sea su uso normal.

### RIESGOS RESIDUALES

Incluso en caso de un uso correcto, no es posible excluir por completo la existencia de riesgos residuales. Durante el uso de la máquina se pueden producir los siguientes riesgos a tener en cuenta especialmente por el operador de la misma.

- Lesiones provocadas por efecto de la vibración.
- Sujete el dispositivo utilizando las empuñaduras previstas para ello y limite el tiempo de trabajo y de exposición a riesgos.
- La contaminación acústica puede provocar lesiones auditivas. Lleve una protección auditiva y limite el tiempo de exposición a riesgos.
- Lesiones oculares producidas por partículas de suciedad. Lleve siempre gafas protectoras, pantalones resistentes y largos o calzado resistente.
- Inhalación de polvos tóxicos.

### INDICACIONES PARA BATERÍAS DE IONES DE LITIO

#### Uso de baterías de iones de litio

Las baterías no utilizadas durante cierto tiempo deben ser recargadas antes de usar.

Las temperaturas superiores a 50°C reducen el rendimiento de la batería. Evite una exposición excesiva a fuentes de calor o al sol (riesgo de sobrecalentamiento).

Los puntos de contacto del cargador y de la batería recargable se deben mantener limpios.

Para un tiempo óptimo de vida, deberán cargarse las baterías completamente después de su uso.

Para garantizar la máxima capacidad y vida útil, las baterías recargables se deberían retirar del cargador una vez finalizada la carga.

En caso de almacenar la batería recargable más de 30 días: Almacenar la batería recargable en un lugar seco a una temperatura de aproximadamente 27°C. Almacenar la batería recargable con un estado de carga del 30% y 50% aproximadamente. Recargar la batería cada 6 meses.

### Protección de sobrecarga de baterías en baterías de iones de litio

En caso de sobrecarga de la batería a causa de un consumo de corriente demasiado elevado, por ejemplo, en momentos de torsión extremadamente altos, atasco de la broca, de una parada o cortocircuito repentinos; el aparato eléctrico vibra durante 5 segundos, el indicador de carga parpadea y el aparato eléctrico se desconecta automáticamente. Para conectarlo de nuevo, soltar el botón de encendido y después conectarlo otra vez. Bajo cargas extremas la batería se calienta demasiado. En este caso, todas las luces del indicador de carga parpadean hasta que la batería se enfría. Cuando se apaga el indicador de carga se puede trabajar de nuevo.

### Transporte de baterías de iones de litio

Las baterías de iones de litio caen bajo las disposiciones legales relativas al transporte de mercancías peligrosas.

El transporte de estas baterías recargables debe llevarse a cabo, observando las normas y disposiciones locales, nacionales e internacionales.

- Los consumidores pueden transportar estas baterías recargables sin el menor reparo en la calle.
- El transporte comercial de baterías recargables de iones de litio por empresas de transportes está sometido a las disposiciones del transporte de mercancías peligrosas. Las preparaciones para el envío y el transporte deben ser llevados a cabo exclusivamente por personas instruidas adecuadamente. El proceso completo debe ser supervisado por personal competente.

Los siguientes puntos se deben observar para el transporte de las baterías recargables:


- Se debe asegurar que los contactos estén protegidos y aislados para evitar que se produzcan cortocircuitos.
- Preste atención a que el conjunto de baterías recargables no se pueda desplazar dentro del envase.
- Las baterías recargables deterioradas o derramadas no se deben transportar.

Rogamos que para cualquier información adicional se dirija a su empresa de transportes.

### INDICACIONES PARA EL TRABAJO

No ejercer demasiada fuerza al taladrar o martillar. Deje que el taladro de percusión haga el trabajo por usted.

### PARADA AUTOMÁTICA

 La función de retroceso AUTOSTOP™ detecta si el taladro se ha quedado atascado. El piloto de control parpadea y el sistema eléctrico desactiva el taladro de percusión. Para encender, soltar el interruptor disparador y volver a pulsarlo.

### TRABAJOS EN CONDICIONES DE FRÍO

Cuando se almacena la máquina durante un periodo de tiempo largo o a bajas temperaturas es posible que el lubricante se endurezca, pudiendo ocurrir que la máquina no funcione al principio o bien que su potencia sea demasiado baja. Si esto ocurre:

1. Inserte un taladro o un cincel en la máquina.
2. Coloque la máquina sobre una pieza sobrante de hormigón.

3. Accione el interruptor disparador cada par de segundos y suéltelo de nuevo.

Transcurridos entre 15 segundos y 2 minutos, la máquina vuelve a martillar normalmente. Cuanto más fría esté la máquina, más durará el calentamiento.

## LIMPIEZA

Las ranuras de ventilación de la máquina deben estar despejadas en todo momento.

## MANTENIMIENTO

Cuando el martillo ha gastado las escobillas nunca se deberán sustituir!: el martillo deberá ser enviado a un servicio técnico oficial para efectuarle un mantenimiento de servicio. De esta única manera queda garantizado el perfecto funcionamiento y duración de la máquina.

Utilice solamente accesorios y repuestos Milwaukee. En caso de necesitar reemplazar componentes no descritos, contacte con cualquiera de nuestras estaciones de servicio Milwaukee (consultar lista de servicio técnicos)

Puede solicitar, en caso necesario, una vista despiezada del aparato bajo indicación del tipo de máquina y el número de seis dígitos en la placa indicadora de potencia en su Servicio de Postventa o directamente en Techtronic Industries GmbH, Max-Eyth-Straße 10, 71364 Winnenden, Germany.

## SÍMBOLOS

	Lea las instrucciones detenidamente antes de conectar la herramienta
	¡ATENCIÓN! ¡ADVERTENCIA! ¡PELIGRO!
	Retire la batería antes de comenzar cualquier trabajo en la máquina.
	Para trabajar con la máquina, utilizar siempre gafas de protección.
	Usar protectores auditivos!
	Utilice por ello una máscara protectora contra polvo.
	Usar guantes protectores
	El sistema antivibración reduce las vibraciones de la máquina en la empuñadura.
	Accesorio - No incluido en el equipo estándar, disponible en la gama de accesorios.
	Los electrodomésticos y las baterías/acumuladores no se deben eliminar junto con la basura doméstica. Los aparatos eléctricos y los acumuladores se deben recoger por separado y se deben entregar a una empresa de reciclaje para una eliminación respetuosa con el medio ambiente. Infórmese en las autoridades locales o en su tienda especializada sobre los centros de reciclaje y puntos de recogida.

	Velocidad de giro en vacío
	Tensión
	Corriente continua
	Markado de conformidad europeo
	Markado de conformidad británico
	Markado de conformidad ucraniano
	Markado de conformidad euroasiático

CARACTERÍSTICAS TÉCNICAS	M18 FH	M18 FHX
Tipo	Martelo Rotativo a Batería	Martelo Rotativo a Batería
Número de produção	4831 62 01 XXXXX MJJJ	4831 72 01 XXXXX MJJJ
Tensão do acumulador	18 V ---	18 V ---
Força da pancada	2,5 J	2,5 J
Velocidade em vazio	0-1330 min <sup>-1</sup>	0-1330 min <sup>-1</sup>
Frequência de percussão em carga	0-4800 min <sup>-1</sup>	0-4800 min <sup>-1</sup>
Ø da gola de aperto	46 mm	46 mm
Ø de furo em betão	26 mm	26 mm
Ø de furo em aço	13 mm	13 mm
Ø de furo em madeira	28 mm	28 mm
Coroas dentadas em tijolo e calcário	65 mm	65 mm
Peso nos termos do procedimento-EPTA 01/2014 ((2,0 Ah ... 12,0 Ah))	3,4 kg ... 4,4 kg	3,6 kg ... 4,6 kg
Temperatura ambiente recomendada ao trabalhar		-18...+50 °C
Tipos de baterias recomendadas		M18B...; M18HB...
Carregadores recomendados		M12-18...; M1418C6

**Informações sobre ruído:** Valores de medida de acordo com EN 60745.

O nível de ruído avaliado A do aparelho é tipicamente:

Nível da pressão de ruído / Incertez K	92,6 dB(A) / 3 dB(A)	92,6 dB(A) / 3 dB(A)
Nível da potência de ruído / Incertez K	103,6 dB(A) / 3 dB(A)	103,6 dB(A) / 3 dB(A)

**Sempre use a proteção dos ouvidos.**

**Informações sobre vibração:** Valores totais de vibração (soma dos vectores das três direcções) determinadas conforme EN 60745.

Valor de emissão de vibração  $a_{h,vib}$  / Incertez K

Furar em betão ( $a_{h,vib}$ )	12,9 m/s <sup>2</sup> / 1,5 m/s <sup>2</sup>	12,9 m/s <sup>2</sup> / 1,5 m/s <sup>2</sup>
Trabalho de ponteira ( $a_{h,vib}$ )	14,2 m/s <sup>2</sup> / 1,5 m/s <sup>2</sup>	14,2 m/s <sup>2</sup> / 1,5 m/s <sup>2</sup>

## ATENÇÃO!

O nível de emissão de ruído e vibração fornecido nesta ficha de informações foi medido de acordo com um teste padronizado que se encontra na norma EN 60745, podendo ser utilizado para fazer comparações entre ferramentas. Pode ser utilizado para fazer uma avaliação preliminar da exposição.

O nível de emissão de ruído e vibração declarado representa as principais aplicações da ferramenta. No entanto, se a ferramenta for utilizada para aplicações diferentes ou com acessórios distintos, ou se a sua manutenção for deficiente, a emissão de ruídos e vibrações poderá diferir. Isso poderá aumentar significativamente o nível de exposição ao longo do período de trabalho total.

A estimativa do nível de exposição à vibração e ruído também deve ter em conta os tempos em que a ferramenta, quer desligada quer em funcionamento, não está realmente a trabalhar. Isso poderá reduzir significativamente o nível de exposição ao longo do período de trabalho total.

Identifique medidas de segurança adicionais para proteger o operador contra os efeitos da vibração e/ou ruído, tais como: fazer a manutenção da ferramenta e dos acessórios, manter as mãos quentes, organizar padrões de trabalho.

**ADVERTÊNCIA! Leia todas as instruções de segurança e todas as instruções.** O desrespeito das advertências e instruções apresentadas abaixo pode causar choque eléctrico, incêndio e/ou graves lesões.  
**Guarde bem todas as advertências e instruções para futura referência.**

## INSTRUÇÕES DE SEGURANÇA PARA A MARTELO ROTATIVO

**Sempre use a proteção dos ouvidos.** A influência de ruídos pode causar surdez.

**Sempre use os punhos adicionais fornecidos com o aparelho.** A perda de controlo pode causar feridas.

**Segure o aparelho nas superfícies de punho isoladas se estiver a executar trabalhos, nos quais a ferramenta de corte pode tocar em linhas eléctricas escondidas.**

O contacto da ferramenta de corte com uma linha sob tensão também pode colocar peças metálicas do aparelho sob tensão e levar a um choque eléctrico.

## INSTRUÇÕES DE SEGURANÇA E TRABALHO SUPLEMENTARES

Utilizar equipamento de protecção. Durante os trabalhos com a máquina, usar sempre óculos de protecção. Vestuário de protecção, bem como máscara de pó, sapatos fechados e antiderrapante,

capacete e protecção auditiva são recomendados.

O pó que resulta ao trabalhar pode ser nocivo para a saúde, por isso não devendo penetrar no corpo. Use uma máscara de protecção contra pó apropriada.

Não devem ser processados materiais que representem um perigo para a saúde (p. ex. asbesto).

Desligue o aparelho imediatamente, quando a ferramenta de inserção bloquear! Não ligue o aparelho novamente durante o bloqueio da ferramenta de inserção, pois isso pode levar a um recuo repentino com uma alta força reactiva. Verifique e elimine a causa do bloqueio da ferramenta de inserção, observando as instruções de segurança.

Causas possíveis podem ser:

- Emperramento na peça a trabalhar
- Material a processar rompido
- Sobrecarga da ferramenta eléctrica

Não toque na máquina em operação.

A ferramenta de inserção pode ficar quente durante a operação.  
**ATENÇÃO!** Perigo de queimar-se

- na troca das ferramentas
- ao depositar o aparelho

Não remover aparas ou lascas enquanto a máquina trabalha.

Ao trabalhar em paredes, tectos e soalhos prestar atenção a que não sejam atingidos cabos eléctricos e canalizações de gás e água.

Fixe a peça a trabalhar com um dispositivo de fixação. Peças a

trabalhar não fixadas podem levar a feridas graves e danos sérios. Antes de efectuar qualquer intervenção na máquina retirar o bloco acumulador.

Não queimar acumuladores gastos nem deitá-los no lixo doméstico. A Milwaukee possui uma eliminação de acumuladores gastos que respeita o meio ambiente.

Não guardar acumuladores junto com objectos metálicos (perigo de curto-circuito).

Use apenas carregadores do Sistema M18 para recarregar os acumuladores do Sistema M18. Não utilize acumuladores de outros sistemas.

Carregadores só devem ser utilizados em recintos secos.

Em caso de cargas ou temperaturas extremas, um acumulador de substituição danificado poderá verter líquido de bateria. Se entrar em contacto com este líquido, deverá lavar-se imediatamente com água e sabão. Em caso de contacto com os olhos, enxágüe-os bem e de imediato durante pelo menos 10 minutos e consulte um médico o mais depressa possível.

**Advertência!** Para evitar o risco de incêndio, de feridas ou de danificação do produto causado por um curto-circuito, não imerja a bateria intercambiável ou o carregador em líquidos e assegure-se de que líquidos não penetrem nos aparelhos ou nas baterias. Líquidos corrosivos ou condutivos como água salgada, determinadas substâncias químicas ou produtos que contenham branqueadores podem causar um curto-circuito.

## UTILIZAÇÃO AUTORIZADA

O martelo electro-pneumático tem aplicação universal para trabalhos de furar com percussão em pedra furar madeira, metais e plásticos.

Não use este produto de outra maneira sem ser a normal para o qual foi concebido.

## RISCOS RESIDUAIS

Mesmo em caso de utilização correta não é possível excluir todos os riscos residuais. Na utilização da máquina podem ser causados os seguintes perigos que o utilizador deve observar:

- Feridas causadas pela vibração. Segure o aparelho nos punhos previstos e limite o tempo de trabalho e exposição.
- Os ruídos podem levar à perda de audição. Use um protetor auricular e limite o período de exposição.
- Feridas dos olhos causadas por partículas de sujeira. Sempre use óculos de protecção, calças compridas sólidas e calçados sólidos.
- Inalação de pó tóxicos.

## NOTAS PARA BATERIAS DE IÕES DE LÍTIU

### Utilização de iões de lítio

Acumuladores não utilizados durante algum tempo devem ser recarregados antes da sua utilização.

Temperaturas acima de 50°C reduzem a capacidade do acumulador. Evitar exposição prolongada ao sol ou a caloríferos.

Mantenha limpos os contactos eléctricos no carregador e a bateria.

Para uma vida útil óptima das baterias, terá que carregá-las plenamente após a sua utilização.

Para assegurar uma vida útil longa, as baterias devem ser removidas do carregador depois do carregamento.

Se o pacote de bateria for armazenado por mais de 30 dias: Armazene o pacote de bateria com aprox. 27°C em um lugar seco. Armazene o pacote de bateria com aprox. 30%-50% da carga completa.

Carregue o pacote de bateria novamente de 6 em 6 meses.

## Proteção contra sobrecarga para baterias de iões de lítio

No caso de sobrecarga da bateria devido a um consumo de corrente demasiado elevado, por exemplo um binário de rotação extremamente elevado, um bloqueio da broca, uma paragem repentina ou um curto-circuito, a ferramenta eléctrica vibra durante 5 segundos, o indicador de carregamento de bateria começa a piscar e a ferramenta eléctrica desliga-se automaticamente. Para a ligar novamente, desligar e voltar a ligar o interruptor. Sob condições extremas, a bateria aquece demasiado. Nesse caso, todas as luzes do indicador de carregamento de bateria piscam até que esta arrefeça. Após as luzes do indicador de carregamento de bateria se apagarem, pode-se continuar a trabalhar.

## Transporte de baterias de iões de lítio

Baterias de ião-lítio estão sujeitas às disposições da legislação relativa às substâncias perigosas.

O transporte destas baterias deve ser efectuado de acordo com as disposições e os regulamentos locais, nacionais e internacionais.

- O utilizador pode efectuar o transporte rodoviário destas baterias sem restrições.
- O transporte comercial de baterias de ião-lítio por terceiros está sujeito aos regulamentos relativos às substâncias perigosas. A preparação do transporte e o transporte devem ser executados exclusivamente por pessoas instruídas e o processo deve ser acompanhado pelos especialistas correspondentes.

Observe o seguinte no transporte de baterias:

- Assegure-se de que os contactos terminais estejam protegidos e isolados para evitar um curto-circuito.
- Assegure-se de que o bloco da bateria esteja protegido contra movimentos na embalagem.
- Não transporte baterias danificadas ou que tenham fuga.

Para instruções mais detalhadas consulte a companhia de transportes

## DICAS DE TRABALHO

Não use muita força ao furar ou martelar. Deixe o berbequim trabalhar para você.

## PARADA AUTOMÁTICA

**AUTO STOP** A função AUTOSTOP™-Kickback reconhece um emperramento da broca. A luz de controlo pisca e a electrónica desliga a broca de martelo. Para ligar, solte e prima novamente o acionador.

## TRABALHAR NO FRIO

Se a máquina for armazenada por um período prolongado ou com temperaturas baixas, a lubrificação pode ficar viscosa e é possível que a máquina não funcione no início ou que o desempenho seja muito fraco. Se isso acontecer:

1. Coloque uma broca ou um cinzel na máquina.
2. Coloque a máquina sobre uma peça residual de betão.
3. Prima e solte o botão interruptor em intervalos de poucos segundos.

Depois de 15 segundos a 2 minutos a máquina começa a martelar normalmente. Quanto mais frio a máquina estiver, tanto mais tempo durará o aquecimento.

## LIMPEZA

Manter desobstruídos os rasgos de ventilação na carcaça da máquina.

## MANUTENÇÃO

Se as escovas de carvão estão gastas, adicionalmente à mudança das mesmas e ferramenta deve ser submetida a assistência. Isto irá assegurar longo tempo de vida útil bem como constante prontidão da máquina para o trabalho.

Utilizar apenas acessórios Milwaukee e peças sobresselentes Milwaukee. Os componentes cuja substituição não esteja descrita devem ser substituídos num serviço de assistência técnica Milwaukee (consultar a brochura relativa à garantia/moradas dos serviços de assistência técnica).

Se for necessário, um desenho de explosão do aparelho pode ser solicitado do seu posto de assistência ao cliente ou directamente da Techtronic Industries GmbH, Max-Eyth-Straße 10, 71364 Winnenden, Alemanha, indicando o tipo da máquina e o número de seis posições na chapa indicadora da potência.

## SYMBOLS

	Leia atentamente o manual de instruções antes de colocar a máquina em funcionamento.
	ATENÇÃO! PERIGO!
	Antes de efectuar qualquer intervenção na máquina retirar o bloco acumulador.
	Usar sempre óculos de protecção ao trabalhar com a máquina.
	Use protectores auriculares!
	Use uma máscara de protecção contra pó apropriada.
	Use luvas de protecção!
	O sistema anti-vibração reduz as vibrações da máquina na pega.
	Acessório - Não incluído no equipamento normal, disponível como acessório.
	Aparelhos eléctricos, baterias/acumuladores não devem ser jogados no lixo doméstico. Os aparelhos eléctricos e as baterias devem ser colectados separadamente e entregues a uma empresa de reciclagem para a eliminação correcta. Solicite informações sobre empresas de reciclagem e postos de colecta de lixo das autoridades locais ou do seu vendedor autorizado.
	Velocidade de marcha lenta
	Tensão
	Corrente contínua
	Marca de Conformidade Europeia
	Marca de conformidade britânica



Marca de Conformidade Ucraniana

Marca de Conformidade Eurasiática

TECHNISCHE GEGEVENS	M18 FH	M18 FHX
Type	Accu-boorhamer	Accu-boorhamer
Productienummer	4831 62 01 XXXXXX MJJJJ	4831 72 01 XXXXXX MJJJJ
Spanning wisselakku	18 V ---	18 V ---
Slagkracht	2,5 J	2,5 J
Onbelast toerental	0-1330 min <sup>-1</sup>	0-1330 min <sup>-1</sup>
Aantal slagen belast	0-4800 min <sup>-1</sup>	0-4800 min <sup>-1</sup>
Spanhals-Ø	46 mm	46 mm
Boor-Ø in beton	26 mm	26 mm
Boor-Ø in staal	13 mm	13 mm
Boor-Ø in hout	28 mm	28 mm
Slagboorkroon voor tegel en kalkzandsteen	65 mm	65 mm
Gewicht volgens de EPTA-procedure 01/2014 ((2,0 Ah ... 12,0 Ah))	3,4 kg ... 4,4 kg	3,6 kg ... 4,6 kg
Aanbevolen omgevingstemperatuur tijdens het werken	-18...+50 °C	
Aanbevolen accutypes	M18B...; M18HB...	
Aanbevolen laadtoestellen	M12-18...; M1418C6	

#### Geluidsinformatie: Meetwaarden vastgesteld volgens EN 60745.

Het kenmerkende A-gewogen geluidsniveau van de machine bedraagt:

Geluidsdruk niveau / Onzekerheid K	92,6 dB(A) / 3 dB(A)	92,6 dB(A) / 3 dB(A)
Geluidsvermogen niveau / Onzekerheid K	103,6 dB(A) / 3 dB(A)	103,6 dB(A) / 3 dB(A)

#### Draag oorbeschermers.

**Trillingsinformatie:** Totale trillingswaarden (vectorsom van drie richtingen) bepaald volgens EN 60745.

Trillingsemisiewaarde a<sub>v</sub> / Onzekerheid K

Hamerboren in beton (a <sub>v,HD</sub> )	12,9 m/s <sup>2</sup> / 1,5 m/s <sup>2</sup>	12,9 m/s <sup>2</sup> / 1,5 m/s <sup>2</sup>
Hakken (a <sub>v,Ched</sub> )	14,2 m/s <sup>2</sup> / 1,5 m/s <sup>2</sup>	14,2 m/s <sup>2</sup> / 1,5 m/s <sup>2</sup>

## ⚠ WAARSCHUWING!

De in dit informatieblad vermelde trillings- en geluidsniveaus zijn gemeten in overeenstemming met een standaard testmethode conform EN 60745 en kunnen worden gebruikt om gereedschap met elkaar te vergelijken. Deze kunnen ook worden gebruikt voor het vooraf evalueren van de blootstelling.

De vermelde trillings- en geluidsniveaus gelden voor de meest gebruikelijke toepassingen van het gereedschap. Wanneer het gereedschap echter voor andere doeleinden of met andere hulpstukken gebruikt wordt of niet naar behoren onderhouden wordt, kan de mate van blootstelling over de hele werkperiode aanzienlijk hoger uitvallen.

Voor een nauwkeurige inschatting van de blootstelling aan trillingen en geluid moet ook de tijd in aanmerking worden genomen die het apparaat uitgeschakeld is of weliswaar loopt, maar niet werkelijk in gebruik is. Dit kan de waarde van de mate aan blootstelling over de hele werkperiode aanzienlijk verminderen.

Bepaal extra veiligheidsmaatregelen ter bescherming van de gebruiker tegen de gevolgen van trillingen en/of geluid, bijvoorbeeld: onderhoud van het gereedschap en hulpstukken, warmhouden van de handen, organisatie van de werkprocessen.

## ⚠ WAARSCHUWING! Lees alle veiligheidsinstructies en aanwijzingen.

Als de waarschuwingen en voorschriften niet worden opgevolgd, kan dit een elektrische schok, brand of ernstig letsel tot gevolg hebben.

**Bewaar alle waarschuwingen en voorschriften voor toekomstig gebruik.**

### VEILIGHEIDSinSTRUCTIES VOOR BOORHAMER

**Draag oorbeschermers.** Blootstelling aan geluid kan het gehoor beschadigen.

**Gebruik de bij de machine geleverde zijhandgreep.** Verlies aan controle kan tot persoonlijk letsel leiden.

**Houd het apparaat alléén aan de geïsoleerde grijpvlakken vast, wanneer u werkzaamheden uitvoert waarbij het snijgereedschap verborgen stroomleidingen zou kunnen raken.** Het contact van het snijgereedschap met een spanningvoerende leiding kan de metalen apparaatdelen onder spanning zetten en zo tot een elektrische schok leiden.

### VERDERE VEILIGHEIDS- EN WERKINSTRUCTIES

Draag veiligheidsuitrusting. Bij werkzaamheden met de machine dient u altijd een veiligheidsbril te dragen. Veiligheidskleding zoals stofmasker, veiligheids handschoenen, stevig en slipvast schoeisel, helm en gehoorbescherming worden aanbevolen.

Het gedurende het werken vrijkomende stof is doorgaans schadelijk voor de gezondheid en mag niet met het lichaam in aanraking komen. Draag derhalve een geschikt stofbeschermingsmasker.

Het is niet toegestaan, materialen te bewerken waarvan een gezondheidsgevaar uitgaat (bijv. asbest).

Schakel het apparaat onmiddellijk uit als het gereedschap blokkeert! Schakel het apparaat niet in zolang het gereedschap geblokkeerd is; dit zou een terugslag met een hoog reactiemoment kunnen veroorzaken. Achterhaal en verhelp de oorzaak voor de blokkering van het gereedschap met inachtneming van de veiligheidsinstructies.

Mogelijke oorzaken voor de blokkering:

- kantelen in het te bewerken werkstuk
- doorbreken van het te bewerken materiaal
- overbelasting van het elektrische gereedschap

Grijp niet in de lopende machine.

Het gereedschap kan heet worden tijdens het gebruik.

**WAARSCHUWING!** Gevaar voor verbranding

- bij het vervangen van het gereedschap
- bij het neerleggen van het apparaat

Spanen of splinters mogen bij draaiende machine niet worden verwijderd.

Bij het werken in wanden, plafonds of vloeren oppassen voor elektriciteitsdraden, gas- of waterleidingen.

Borg uw werkstuk met behulp van een spaninrichting. Niet geborgde

werkstukken kunnen ernstig letsel en grote schade veroorzaken.

Voor alle werkzaamheden aan de machine de akku verwijderen.

Verbruikte akku's niet in het vuur of bij het huisvuil werpen. Milwaukee biedt namelijk een milieuvriendelijke recyclingmethode voor uw oude akku's.

Wisselakku's niet bij metalen voorwerpen bewaren (kortsluitingsgevaar! ).

Wisselakku's van het Akku-Systeem M18 alléén met laadapparaten van het Akku-Systeem M18 laden. Geen akku's van andere systemen laden.

Wisselakku's en laadapparaten niet openen en alleen in droge ruimtes opslaan. Tegen vocht beschermen.

Over extreme belasting of extreme temperaturen kan uit de accu accu-vloeistof lopen. Na contact met accu-vloeistof direct afwassen met water en zeep. Bij oogcontact direct minstens 10 minuten grondig spoelen en onmiddellijk een arts raadplegen.

**Waarschuwing!** Voorkom brand, persoonlijk letsel of materiële schade door kortsluiting en doppel het gereedschap, de wisselakku en het laadtoestel niet onder in vloeistoffen en waarborg dat geen vloeistoffen in de apparaten en accu's kunnen dringen. Corrosieve of geleidende vloeistoffen zoals zout water, bepaalde chemicaliën, bleekmiddelen of producten die bleekmiddelen bevatten, kunnen een kortsluiting veroorzaken.

### VOORGESCHREVEN GEBRUIK VAN HET SYSTEEM

De akku-boorhamer is universeel inzetbaar voor hamerboren in steen en voor boren in hout, metaal en kunststof, onafhankelijk van een metaansluiting.

Dit apparaat uitsluitend gebruiken voor normaal gebruik, zoals aangegeven.

### RESTRISICO'S

Ook als de machine volgens de voorschriften gebruikt wordt, kunnen niet alle risico's worden uitgesloten. Let bij het gebruik op de volgende gevaren:

- Door vibraties veroorzaakt letsel. Houd de machine vast aan de daarvoor bedoelde grepen en beperk de tijd die u met de machine werkt en waarin u aan de vibraties wordt blootgesteld.
- Lawaai kan leiden tot gehoorschade. Draag een gehoorbescherming en beperk de tijd waarin u aan het lawaai wordt blootgesteld.
- Door vuildeeltjes veroorzaakt oogletsel. Draag altijd een veiligheidsbril, nauwsluitende, lange broeken, handschoenen en vast schoeisel.
- Inademen van toxische stoffen.

### OPMERKINGEN OVER LI-ION-ACCU'S

#### Gebruik van li-ion-accu's

Langere tijd niet toegepaste akku's vóór gebruik altijd naladen.

Een temperatuur boven de 50°C vermindert de capaciteit van de accu. Langdurige verwarming door zon of hitte vermijden.

De aansluitcontacten aan het laadapparaat en de accu schoonhouden.

Voor een optimale levensduur moeten de accu's na het gebruik volledig opgeladen worden.

Voor een zo lang mogelijke levensduur van de accu's dienen deze na het opladen uit het laadtoestel te worden verwijderd.

Bij een langere opslag van de accu dan 30 dagen:

- accu bij ca. 27 °C droog bewaren.
- accu bij ca. 30 % - 50 % van de laadtoestand bewaren.
- accu om de 6 maanden opnieuw opladen.

#### Overbelastingsbeveiliging voor li-ion-accu's

Bij overbelasting van de accu door zeer hoog stroomverbruik, bijv. extreem hoge draaimomenten, klemmen van de boor, plotseling

stoppen of kortsluiting, vibreert het elektrische gereedschap gedurende 5 seconden, de laadweergave knippert en het elektrische gereedschap schakelt automatisch uit. Om het gereedschap weer in te schakelen, moet u de drukschakelaar loslaten en vervolgens weer inschakelen. Onder extreme belastingen wordt de accu te heet. In dit geval knipperen alle lampen van de laadweergave totdat de accu afgekoeld is. Na het doven van de laadweergave kunt u weer verder werken.

#### Transport van li-ion-accu's

Lithium-ionen-accu's vallen onder de wettelijke bepalingen inzake het transport van gevaarlijke goederen.

Voor het transport van deze accu's moeten de lokale, nationale en internationale voorschriften en bepalingen in acht worden genomen.

- Verbruikers mogen deze accu's zonder meer over de weg transporteren.
- Het commerciële transport van lithium-ionen-accu's door expeditiebedrijven is onderhevig aan de bepalingen inzake het transport van gevaarlijke goederen. De verzendingsvoorbereidingen en het transport mogen uitsluitend worden uitgevoerd door dienovereenkomstig opgeleide personen. Het complete proces moet vakkundig worden begeleid.

Onderstaande punten moeten bij het transport van accu's in acht worden genomen:


- Waarborg ter vermindering van kortsluitingen dat de contacten beschermd en geïsoleerd zijn.
- Let op dat het accupack in de verpakking niet kan verschuiven.
- Beschadigde of lekkende accu's mogen niet worden getransporteerd.

Neem voor meer informatie contact op met uw expeditiebedrijf.

### ARBEIDSinSTRUCTIES

Zet niet te veel kracht tijdens het boren of hameren. Laat de boorhamer het werk doen.

### AUTOSTOP

 De AUTOSTOP™-kickback-functie herkent een blokkering van de boor. Het controlelampje knippert en de elektronica schakelt de boorhamer uit. Laat de drukschakelaar los en druk hem weer in om de boorhamer opnieuw in te schakelen.

### WERKEN BIJ KOU

Als de machine gedurende een langere periode of bij lage temperaturen opgeslagen wordt, kan de smering taai worden. Het kan zijn dat de machine dan in het begin niet functioneert of het vermogen van de machine te gering is. Als dat gebeurt:

1. Plaats een boor of bijtel in de machine.
2. Zet de machine op een reststuk beton.
3. Druk om de paar seconden op de drukschakelaar en laat hem weer los.

Na 15 seconden tot 2 minuten begint de machine weer normaal te hameren. Hoe kouder de machine is, hoe langer het duurt.

### REINIGING

Altijd de luchtspleten van de machine schoonhouden.

### ONDERHOUD

Belangrijke tip! Versleten koolborstels tijdig door een service-werkplaats laten vervangen. Dit verhoogt de levensduur van de machine en garandeert dat de machine altijd direkt klaar is voor gebruik.

Gebruik uitsluitend Milwaukee toebehoren en onderdelen. Indien componenten die moeten worden vervangen niet zijn beschreven,

neem dan contact op met een officieel Milwaukee servicecentrum (zie onze lijst met servicecentra).

Zo nodig kan een explosietekening van het apparaat worden aangevraagd bij uw klantenservice of direct bij Techtronic Industries GmbH, Max-Eyth-Strasse 10, 71364 Winnenden, Duitsland onder vermelding van het machinetype en het zescijferige nummer op het typeplaatje.

## SYMBOLLEN

	Graag instructies zorgvuldig doorlezen vóórdat u de machine in gebruik neemt.
	OPGELET! WAARSCHUWING! GEVAAR!
	Voor alle werkzaamheden aan de machine de accu verwijderen.
	Bij het werken met de machine altijd een veiligheidsbril dragen.
	Draag oorbeschermers!
	Draag derhalve een geschikt stofbeschermingsmasker.
	Draag veiligheidshandschoenen!
	De trillingsdemper vermindert de trillingen van de machine aan de handgreep.
	Toebehoren - Wordt niet meegeleverd. Is apart leverbaar. Zie hiervoor het toebehorenprogramma.
	Elektrische apparaten, batterijen en accu's mogen niet via het huisafval worden afgevoerd. Elektrische apparaten en accu's moeten gescheiden worden verzameld en voor een milieuvriendelijke afvoer worden afgegeven bij een recyclingbedrijf. Informeer bij uw gemeente of bij uw vakhandelaar naar recyclingbedrijven en inzamelpunten.
	Nullasttoerental
	Spanning
	Gelijkstroom
	Europees symbool van overeenstemming
	Britse conformiteitsmarkering
	Oekraïens symbool van overeenstemming
	Euro-Aziatisch symbool van overeenstemming

TEKNISCHE DATA	M18 FH	M18 FHX
Type	Akku borehammer	Akku borehammer
Produktionsnummer	4831 62 01 XXXXXX MJJJJ	4831 72 01 XXXXXX MJJJJ
Udskiftningsbatteriets spænding	18 V ---	18 V ---
Enkeltslagsenergi	2,5 J	2,5 J
Omdrejningstal, ubelastet	0-1330 min <sup>-1</sup>	0-1330 min <sup>-1</sup>
Slagantal belastet	0-4800 min <sup>-1</sup>	0-4800 min <sup>-1</sup>
Halsdiameter	46 mm	46 mm
Bor-ø i beton	26 mm	26 mm
Bor-ø i stål	13 mm	13 mm
Bor-ø i træ	28 mm	28 mm
Letborekrone i tegl og kalksandsten	65 mm	65 mm
Vægt svarer til EPTA-procedure 01/2014 ((2,0 Ah ... 12,0 Ah))	3,4 kg ... 4,4 kg	3,6 kg ... 4,6 kg
Anbefalet temperatur under arbejdet	-18...+50 °C	
Anbefalede batterityper	M18B...; M18HB...	
Anbefalede opladere	M12-18...; M1418C6	
<b>Støjinformation:</b>		
Måleværdier beregnes iht. EN 60745.		
Værktøjets A-vurderede støjniveau er typisk:		
Lydtrykniveau / Usikkerhed K	92,6 dB(A) / 3 dB(A)	92,6 dB(A) / 3 dB(A)
Lydeffekt niveau / Usikkerhed K	103,6 dB(A) / 3 dB(A)	103,6 dB(A) / 3 dB(A)
<b>Bær høreværn.</b>		
<b>Vibrationsinformation:</b> Samlede vibrationsværdier (værdisum for tre retninger) beregnet iht. EN 60745.		
Vibrationseksponering a <sub>v</sub> / Usikkerhed K		
Hammerboring i beton (a <sub>h,HD</sub> )	12,9 m/s <sup>2</sup> / 1,5 m/s <sup>2</sup>	12,9 m/s <sup>2</sup> / 1,5 m/s <sup>2</sup>
Mejsle (a <sub>h,Choeq</sub> )	14,2 m/s <sup>2</sup> / 1,5 m/s <sup>2</sup>	14,2 m/s <sup>2</sup> / 1,5 m/s <sup>2</sup>

## ⚠ ADVARSEL!

Det vibrations- og støjmissionsniveau, der nævnes i dette oplysningsskema, er blevet målt i overensstemmelse med en standardiseret test fra EN 60745, og det kan bruges til at sammenligne ét værktøj med et andet. Det kan bruges til en foreløbig bedømmelse af eksponeringen.

Det erklærede vibrations- og støjmissionsniveau repræsenterer værktøjets primære anvendelsesformål. Det er dog sådan, at hvis værktøjet bruges til andre formål, med forskellig tilbehør eller dårlig vedligehold, så kan vibrations- og støjmissionen variere. Det kan evt. øge eksponeringsniveauet markant i løbet af det samlede arbejdstidsrum.

En vurdering af eksponeringsniveauet ift. vibration og støj bør også tage hensyn til de tidspunkter, hvor værktøjet er slukket eller hvor det kører, men rent faktisk ikke udfører jobbet. Det kan evt. mindske eksponeringsniveauet markant i løbet af det samlede arbejdstidsrum.

Identificér yderligere sikkerhedsforanstaltninger med henblik på at beskytte brugeren mod effekten af vibration og/eller støj, som fx: vedligehold værktøjet og tilbehøret, hold hænderne varme, organisering af arbejdsmønstre.

**⚠ ADVARSEL! Læs alle sikkerhedsinformationer og instruktioner.** I tilfælde af manglende overholdelse af advarselshenvisningerne og instrukserne er der risiko for elektrisk stød, brand og/eller alvorlige kvæstelser. **Opbevar alle advarselshenvisninger og instrukser til senere brug.**

## SIKKERHEDSANVISNINGER FOR BOREHAMMER

**Bær høreværn.** Støjpåvirkning kan bevirke tab af hørelse.

**Brug de ekstra håndtag, som følger med apparatet.** Hvis kontrollen mistes, kan det medføre personskaade.

**Hold maskinen fast i de isolerede gribeflader, når du udfører arbejde, hvor der er risiko for, at skæreværktøjet kan ramme skjulte strømledninger.**

Kommer skæreværktøjet i kontakt med en strømførende ledning, kan maskinens metaldele komme under spænding og give elektrisk stød.

## YDERLIGERE SIKKERHEDS- OG ARBEJDSINFORMATIONER

Brug beskyttelsesudstyr. Bær altid sikkerhedsbriller, når du arbejder med maskinen. Vi anbefaler desuden brug af personlig beskyttelsesudrustning, såsom støvmaske, sikkerhedshandsker, fast og skridsikkert skotøj, hjelm og høreværn.

Støv, som opstår under arbejdet, er ofte sundhedsfarligt og bør ikke trænge ind i kroppen. Benyt egnet åndedrætsværn.

Der må ikke bearbejdes nogen materialer, der kan udgøre en sundhedsrisiko (f.eks. asbest).

Sluk straks for maskinen, hvis indsatsværktøjet er blokeret! Tænd ikke for maskinen igen, så længe indsatsværktøjet er blokeret; dette kan føre til et tilbageslag med højt reaktionsmoment. Find frem til og afhjælp årsagen til indsatsværktøjets blokering under hensyntagen til sikkerhedsinstruktionerne.

Mulige årsager hertil kan være:

- at det sidder i klemme i emnet der bearbejdes
- at det har brækket materialet der bearbejdes
- at el-værktøjet er overbelastet

Grib ikke ind i maskinen, når den kører.

Indsatsværktøjet kan blive varmt under brugen.

**ADVARSEL!** Fare for forbrændinger

- ved værktøjsskift
- når man lægger maskinen fra sig

Spåner eller splinter må ikke fjernes, medens maskinen kører.

Ved arbejdsboring i væg, loft eller gulv skal man passe på elektriske kabler, gas- og vandledninger.

Sørg for at sikre dit emne med en spændeanordning. Ikke sikrede emner kan forårsage alvorlige kvæstelser og beskadigelser.

Ved arbejde inden i maskinen, bør batteriet tages ud.

Opbrugte udskiftningsbatterier må ikke brændes eller kasseres sammen med alm. husholdningsaffald. Milwaukee har en miljørigtig bortskaffelse af gamle udskiftningsbatterier, henvend Dem til Deres forhandler.

Opbevar ikke udskiftningsbatterier sammen med metalgenstande af fare for kortslutning.

Brug kun M18 ladeapparater for opladning af System M18 batterier.

Udskiftningsbatterier og opladere må ikke åbnes og skal opbevares i tørre rum. Beskyt dem mod fugtighed.

I tilfælde af en ekstrem belastning eller ekstrem temperatur kan der flyde batterivæske ud af et beskadiget batteri. Hvis De kommer i berøring med batterivæsken, skal den vaskes godt og grundigt af med vand og sæbe. I tilfælde af øjenkontakt, skal man mindst skylle øjnene godt og grundigt igennem i 10 minutter og omgående opsøge en læge.

**Advarsel!** For at undgå risiko for brand, kvæstelser eller beskadigelse af produktet forårsaget af kortslutning må værktøjet, batteripakken eller opladeren ikke nedsænkes i vand. Sørg ligeledes for, at der ikke trænger væske ind i enhederne og batterierne. Korroderende eller ledende væsker, f.eks. saltvand, bestemte kemikalier, blegestoffer eller produkter, som indeholder blegestoffer, kan forårsage kortslutning.

## TILTÆNKT FORMÅL

Akku borehammeren kan bruges universelt til hammerboring i sten og til boring i træ, metal og kunststof uafhængigt af en nettislutning.

Produktet må ikke anvendes på anden måde og til andre formål end foreskrevet.

## RESTRISICI

Selv ved korrekt brug kan alle restrisici ikke udelukkes. Brugen kan medføre følgende farer, som operatøren bør være særlig opmærksom på:

- Kvæstelser, som forårsages af vibration. Hold maskinen fast i de dertil beregnede greb og begræns arbejds- og ekspositionstiden.
- Støjbelastning kan medføre høreskader. Brug høreværn og begræns ekspositionstiden.
- Øjenskader på grund af snavspartikler. Brug altid beskyttelsesbriller, faste lange bukser, handsker og fast fodtøj.
- Indånding af giftigt støv.

## BEMÆRKNINGER VEDRØRENDE LI-ION-BATTERIER

### Brug af Li-ion-batterier

Batterier, der ikke har været brugt i længere tid, efterlades inden brug.

Ved temperaturer over 50°C formindskes batteriets effekt. Undgå direkte sollys og stærk varme.

Tilslutningskontakterne på oplader og batteri skal holdes rene.

For at opnå en optimal levetid skal de genopladelige batterier oplades fuldt efter brug.

For at sikre en så lang levetid som muligt skal batterierne tages ud af opladeren, når de er fuldt opladet.

Skal batterierne opbevares længere end 30 dage:

Temperatur ca. 27°C i tørre omgivelser.  
Opbevares ved ca. 30%-50% af ladetilstanden.  
Batteri skal genoplades hver 6. måned.

### Overbelastningsbeskyttelse vedrørende Li-Ion-batterier

Overbelastes batteriet på grund af meget højt strømforbrug, f.eks. som følge af ekstremt høje drejningsmomenter, fastklemning af bor, pludseligt stop eller kortslutning, vibrerer el-værktøjet i 5 sekunder, ladeindikatoren blinker, og el-værktøjet slukker af sig selv.

For at tænde igen slippes trykknappen, hvorefter du tænder el-værktøjet igen.

Ved ekstreme belastninger bliver batteriet for varmt. I så fald blinker alle lamper på ladeindikatoren, indtil batteriet er kølet af. Når ladeindikatoren går ud, kan arbejdet genoptages.

## Transport af Li-ion-batterier

Lithium-batterier er omfattet af lovgivningen om transport af farligt gods.

Transporten af disse batterier skal ske under overholdelse af lokale, nationale og internationale regler og bestemmelser.

- Forbrugere må transportere disse batterier på veje uden yderligere krav.
- Den kommercielle transport af lithium-batterier ved speditiionsfirmaer er omfattet af reglerne for transport af farligt gods. Forberedelsen af forsendelse og transport må kun udføres af tilsvarende trænedede personer. Den samlede proces skal følges af fagfolk.

Følgende punkter skal overholdes ved transport af batterier:

- Sørg for at kontakterne er beskyttet og isoleret for at forhindre kortslutninger.
- Sørg for at batteripakken ikke kan bevæge sig inden for emballagen.
- Beskadigede eller lækkende batterier må ikke transporteres.

Kontakt dit speditiionsfirma for at få yderligere oplysninger.

## ARBEJDSANVISNINGER

Pres ikke for hårdt, når du borer eller hamrer. Lad borehammeren gøre arbejdet for dig.

## AUTOSTOP

**AUTOSTOP**™-Kickback-funktionen har registreret, at boret sidder i klemme. Kontrollampen blinker, og det elektroniske system slukker borehammeren. Slip udløseren og tryk på den igen for at tænde den.

## ARBEJDE I KULDE

Hvis maskinen ikke har været i brug i en længere periode eller opbevaret ved lave temperaturer, kan smøringen blive hård, og det kan forekomme, at maskinen ikke virker til at begynde med, eller at maskinens ydeevne er for lav. Hvis det sker:

1. Sæt et bor eller en mejsel i maskinen.
2. Placer maskinen med boret eller mejslen på et stykke beton.
3. Tænd og sluk for start-/stop-knappen med nogle sekunders mellemrum.

Efter mellem 15 sekunder og 2 minutter begynder maskinen at hamre normalt. Jo koldere maskinen er, jo længere tid tager opvarmningen.

## RENGØRING

Hold altid maskinens ventilationsåbninger rene.

## VEDLIGEHOLDELSE

I forbindelse med udskiftning af nedslidte kul anbefales det, at maskinen indsendes til et autoriseret serviceværksted for almindelig service-check. Det giver optimal sikkerhed for altid funktionsdygtig maskine og lang levetid.

Brug kun Milwaukee-tilbehør og Milwaukee-reservedele. Komponenter, hvor udskiftningsproceduren ikke er beskrevet, skal skiftes ud hos et Milwaukee-servicecenter (se brochure garanti/kundeserviceadresser).

Hvis det er nødvendigt, kan der bestilles en sprængskitse af værktøjet. Angiv herved venligst maskintypen samt det sekscifrede nummer på mærkepladen og bestil tegningen hos din lokale kundeserviceafdeling eller direkte hos Techtronic Industries GmbH, Max-Eyth-Straße 10, 71364 Winnenden, Tyskland.

## SYMBOLER



Læs brugsanvisningen nøje før ibrugtagning.



VIGTIGT! ADVARSEL! FARE!



Ved arbejde inden i maskinen, bør batteriet tages ud.



Når der arbejdes med maskinen, skal man have beskyttelsesbriller på.



Brug høreværn!



Benyt egnet åndedrætsværn.



Brug beskyttelseshandsker!



Antivibrationssystemet reducerer maskinens vibrationer på håndtaget.



Tilbehør - Ikke inkluderet i leveringsomfanget, kan købes som tilbehør.



Elektrisk udstyr eller (genopladelige) batterier må ikke bortskaffes sammen med det almindelige husholdningsaffald. Elektrisk udstyr og genopladelige batterier skal indsamles særskilt og afleveres hos en genbrugsvirksomhed til en miljømæssig forsvarlig bortskaffelse. Spørg de lokale myndigheder eller din forhandler om genbrugsstationer og indsamlingssteder til sådant affald.



Tomgangshastighed



Spænding



Jævnstrøm



Europæisk konformitetsmærke



Britisk overensstemmelsesmærkning



Ukrainisk konformitetsmærke



Eurasisk konformitetsmærke



TEKNISKE DATA	M18 FH	M18 FHX
Type	Batteridrevet borhammer	Batteridrevet borhammer
Produksjonsnummer	4831 62 01 XXXXX MJJJJ	4831 72 01 XXXXX MJJJJ
Spenning vekselbatteri	18 V ---	18 V ---
Enkeltlagenergi	2,5 J	2,5 J
Tomgangsturtall	0-1330 min <sup>-1</sup>	0-1330 min <sup>-1</sup>
Lastslagttall	0-4800 min <sup>-1</sup>	0-4800 min <sup>-1</sup>
Spennhals-ø	46 mm	46 mm
Bor-ø i betong	26 mm	26 mm
Bor-ø i stål	13 mm	13 mm
Bor-ø i treverk	28 mm	28 mm
Lettborkrone i tegl og kalksandstein	65 mm	65 mm
Vekt i henhold til EPTA-Prosedyren 01/2014 ((2,0 Ah ... 12,0 Ah))	3,4 kg ... 4,4 kg	3,6 kg ... 4,6 kg
Anbefalt omgivelsestemperatur under arbeid		-18...+50 °C
Anbefalte batterityper		M18B...; M18HB...
Anbefalte ladere		M12-18...; M1418C6

#### Støyinformasjon:

Måleverdier fastslått i samsvar med EN 60745.

Det typiske A-bedømte støynivået for maskinen er:

Lydtrykknivå / Usikkerhet K	92,6 dB(A) / 3 dB(A)	92,6 dB(A) / 3 dB(A)
Lydeffektnivå / Usikkerhet K	103,6 dB(A) / 3 dB(A)	103,6 dB(A) / 3 dB(A)

#### Bruk hørselsvern.

**Vibrasjonsinformasjoner:** Totale svingningsverdier (vektorsum fra tre retninger) beregnet jf. EN 60745.

Svingningsemisjonsverdi a<sub>v</sub> / Usikkerhet K

Hammerboring i betong (a <sub>h,HD</sub> )	12,9 m/s <sup>2</sup> / 1,5 m/s <sup>2</sup>	12,9 m/s <sup>2</sup> / 1,5 m/s <sup>2</sup>
Meisling (a <sub>h,Chisel</sub> )	14,2 m/s <sup>2</sup> / 1,5 m/s <sup>2</sup>	14,2 m/s <sup>2</sup> / 1,5 m/s <sup>2</sup>

#### ⚠ ADVARSEL!

De angitte vibrasjonseksposering- og støynivåverdiene har blitt målt i samsvar med standardiserte målemetoder jamfør EN 60745 og kan brukes til å sammenligne et verktøy med et annet. De kan brukes til en foreløpig eksponeringsvurdering.

De angitte vibrasjonseksposering- og støyemisjonsverdiene gjelder for vanlig bruk av verktøyet. Dersom verktøyet blir brukt til noe annet, sammen med annet utstyr eller er dårlig vedlikeholdt kan de angitte vibrasjonseksposering- og støyeverdiene variere. Dette kan øke eksponerings- og emisjonsverdiene betraktelig for hele perioden du bruker verktøyet.

Når en vurderer vibrasjonseksposeringensnivået og støyeverdi må en inkludere den perioden som verktøyet er slått av eller når verktøyet går, men ikke direkte brukes til noe. Dette kan redusere eksponeringsnivået betraktelig over hele perioden som verktøyet er i bruk.

Det er viktig å etablere ytterligere sikkerhetstiltak for å beskytte brukeren mot påvirkning av vibrasjon og/eller støy, slik som: vedlikehold av verktøyet og tilleggsutstyr, hold hendene varme, organiserte rutiner.

#### ⚠ OBS! Les alle sikkerhetsinstrukser og bruksanvisninger.

Føll ved overholdelsen av advarslene og nedenstående anvisninger kan medføre elektriske støt, brann og/eller alvorlige skader.

**Ta godt vare på alle advarslene og informasjonene.**

#### SIKKERHETSINSTRUKSJONER FOR BORHAMMER

**Bruk hørselsvern.** Støy kan føre til tap av hørselen

**Bruk de med apparatet medleverte tilleggshandtak.** Tap av kontrollen kan føre til skader.

**Hold apparatet i de isolerte holdeflatene, når det arbeides på steder hvor elektroverktøyet kan treffe skjulte strømledninger.** Kontakt med en ledning som er under spenning, kan også sette metalldele til apparatet under spenning og føre til et elektrisk slag.

#### YTTERLIGE SIKKERHETS- OG ARBEIDSSINSTRUKSJONER

Bruk vernebekledning. Ta alltid på vernebrille ved bruk av maskinen. Vernebekledning så vel som støvmaske, vernehansker, fast og sklissikkert skotøy, hjem og hørselsvern er anbefalt.

Støvet som oppstår ved arbeidet er ofte helsefarlig og skal ikke komme i kontakt med kroppen. Bruk derfor vernemaske som er egnet for støv.

Materialer som er helsefarlig skal ikke bearbeides (f.eks. asbest)

Slå av apparatet med en gang dersom det isatte verktøyet er blokkert! Ikke slå apparatet på igjen så lenge det isatte verktøyet er blokkert; her kan det oppstå et tilbakeslag med høyt

reaksjonsmoment. Finn ut hvorfor det isatte verktøyet blokkerer og fjern årsaken til dette. Ta herved hensyn til sikkerhetsinstruksene.

Mulige årsaker til dette kan være:

- det har forkantet seg i arbeidsområdet som bearbeides
- det har brekt igjennom materialet som bearbeides
- elektroverktøyet er overbelastet

Ikke grip inn i maskinen når den står på og går.

Isatt verktøy kan i bruk bli veldig varmt.

**ADVARSEL!** Fare for forbrenning

- ved skifting av verktøy
- når apparatet legges ned

Spon eller fliser må ikke fjernes mens maskinen er i gang.

Pass på kabler, gass- og vannledninger når du arbeider i vegger, tak eller gulv.

Klem fast arbeidsområdet med en spenninnetning. Ikke sikre arbeidsområder kan ha alvorlige helseskader og skader av material til følge.

Ta ut vekselbatteriet før du arbeider på maskinen

Ikke kast brukte vekselbatterier i varmen eller husholdningsavfall. Milwaukee tilbyr en miljøriktig deponering av gamle vekselbatterier; vennligst spør din fagforhandler.

Ikke oppbevar vekselbatterier sammen med metallgjenstander (kortslutningsfare).

Vekselbatterier av systemet M18 skal kun lades med lader av systemet M18. Ikke lad opp batterier fra andre systemer.

Ikke åpne vekselbatterier og ladere, de skal oppbevares i tørre rom.

Beskyttes mot fuktighet.

Under ekstreme belastninger og ekstreme temperaturer kan det lekke ut batterivæske fra utskiftbare batterier. Ved berøring med batterivæske, vask umiddelbart med såpe og vann. Ved kontakt med øynene må øynene skylles grundig i rennende vann i minst 10 minutter. Oppsøk lege umiddelbart.

**Advarsel!** For å unngå fare for en brann forårsaket av en kortslutning, av personskader eller skader av produktet, må det forhindres at batteripakken eller laderen dryppes i væsker og også sørges for at ingen væsker kan komme inn i apparatene eller batteriene. Korroderende og ledende væsker som saltvann, visse kjemikalier og blekemidler eller produkt som inneholder blekemidler kan forårsake en kortslutning.

#### FORMÅLSMESSIG BRUK

Batteri-borhammeren kan brukes universelt til hammerboring i steinarter og til boring i treverk, metall og plast uavhengig av netttilkopling.

Dette apparatet må kun brukes til de oppgitte formål.

#### RESTRISIKOER

Også ved sakkyndig bruk kan ikke alle restrisikoer utelukkes. Ved bruk kan følgende farer oppstå og som bruker spesielt skulle ta hensyn til:

- Skader forårsaket av vibrasjon. Hold alltid apparatet i håndtakene som er konstruert for dette og begrens arbeids- og eksponeringstiden.
- Støy kan føre til hørselsskader. Bruk hørselvern og begrens eksponeringens varighet.
- Øyeskader forårsaket av smusspartikler. Bruk alltid vernebriller, solide langbukser, hansker og stødige sko.
- Innånding av giftig støv

#### INFORMASJON SOM GJELDER LI-ION BATTERIPAKKER

##### Bruk av Li-Ion batteripakker

Batterier som ikke er brukt over lengre tid skal etterlades før bruk.

En temperatur over 50°C reduserer batteriets kapasitet. Unngå oppvarming i sol eller ved varmeovner (fyring) i lengre tid.

Hold koblingskontaktene på lader og batteripakke rene.

For optimal holdbarhet må batteriene lades opp helt etter bruk.

For å oppnå en så lang brukstid som mulig, bør batteripakkene fjernes fra laderen etter opplading.

Ved lagring av batteriene lengre enn 30 dager:

Lagre batteriet tørt ved ca. 27°C.

Lagre batteriet ved en oppladningstilstand på ca. 30%-50%.

Lade opp batteriet igjen etter 6 måneder.

##### Overlastvern i Li-Ion batteripakker

Ved overbelastning av det oppladbare batteriet p.g.a. svært høyt strømforbruk; f.eks. ekstrem høye dreiemoment, fastklemming av boret, plutselig stopp eller kortslutning, vibrert elektroverktøyet 5 sekunder, displayet for opplading blinker og elektroverktøyet utkobler seg automatisk.

For gjeninnkobling, slipp løs bryteren og slå så på igjen.

Ved ekstreme belastninger opphører det oppladbare batteriet seg for sterkt. I slike tilfeller blinker alle lampene på displayet til batteriet er avkjølt. Når lampene har sluttet å blinke, kan man fortsette å arbeide.

##### Transport av Li-Ion batteripakker

Litium-ion-batterier faller under de lovfastede forskriftene om transport av farlig gods.

Transporten av disse batteriene må rette seg etter lokale, nasjonale og internasjonale forskrifter og bestemmelser.

- Forbruker har lov å transportere disse batteriene på gaten uten reglementering.
- Den kommersielle transport av Litium-ion-batterier av

spedisjonsfirma faller under bestemmelsene om transport av farlig gods. Forberedningene av forsendelsen og transport skal utelukkende gjennomføres av personer som har blitt skolert til dette. Hele prosessen skal følges opp av fagfolk.

Følgende punkter skal tas hensyn til ved transport:

- Kontroller at kontaktene er beskyttet og isolert for å unngå kortslutninger.
- Pass på at batteripakken i forpakningen ikke kan skil fram og tilbake.
- Skadede eller batterier som lekker er det ikke lov å transportere.

Ta kontakt med spedisjonsfirma for ytterlige henvisninger.

#### ARBEIDSSINSTRUKSJONER

Ikke bruk for mye kraft når du borer eller hamrer. La borhammeren arbeide for deg.

#### AUTOSTOP

**AUTOSTOP**™ kickback-funksjon registrerer at boreapparatet har satt seg fast. Kontrollampen blinker, og elektronikken slår borehammeren av. For å slå på, må avtrekkeren slippes, og deretter må den trykkes igjen.

#### ARBEID I KULDE

Dersom maskinen lagres over et lengre tidsrom eller ved lave temperaturer, kan smørestoffet bli seigt, og det er mulig at maskinen da ikke arbeider til å begynne med, eller ytelsen er for liten. Hvis dette skjer:

1. Sett en bor eller meisel inn i maskinen.
2. Sett maskinen på et reststykke betong.
3. Be tjein trykknappen en gang hvert 2-3 sekund, og slipp den igjen.

Etter 15 sekunder til 2 minutter begynner maskinen å hamre normalt. Jo kaldere maskinen er, desto lengre tid tar det å varme den opp.

#### RENGJØRING:

Hold alltid lufteåpningene på maskinen rene.

#### VEDLIKEHOLD

Når kullbørstene er slitte bør det i tillegg til at disse skiftes ut gjennomføres en servide i et serviceverksted. Dette forlenger maskinens levetid og garanterer en stadig driftsberedskap.

Bruk kun Milwaukee tilbehør og Milwaukee reservedeler. Komponenter der utskifting ikke er beskrevet skal skiftes ut hos Milwaukee kundeservice (se brosjyre garanti/kundeserviceadresser).

Ved behov kan det fås en eksplosjonstegning av apparatet hos kundeservice eller direkte hos Techtronic Industries GmbH, Max-Eyth-Strasse 10, 71364 Winnenden, Germany ved angivelse av maskinens type og det sekstallige nummeret på maskinens skilt.

	Les nøye gjennom bruksanvisningen før maskinen tas i bruk.
	OBS! ADVARSEL! FARE!
	Ta ut vekselbatteriet før du arbeider på maskinen
	Bruk alltid vernebrille når du arbeider med maskinen.
	Bruk hørselsvern!
	Bruk derfor verneemaske som er egnet for støv.
	Bruk vernehansker !
	Antivibrasjonssystemet reduserer maskinens vibrasjoner på håndtaket.
	Tilbehør - inngår ikke i leveransen, anbefalt komplettering fra tilbehørsprogrammet.
	Elektriske apparater, batterier/oppladbare batterier skal ikke kastes sammen med vanlig husholdningsavfall. Elektriske og elektroniske apparater og oppladbare batterier skal samles separat og leveres til miljøvennlig deponering hos en avfallsbedrift. Inform deg hos myndighetene på stedet eller hos din fagforhandler hvor det finnes recycling bedrifter og oppsamlingssteder.
	Tomgangsturtall
	Spenning
	Likestrøm
	Europeisk samsvarsmerke
	Britisk samsvarsmerke
	Ukrainsk samsvarsmerke
	Euroasiatisk samsvarsmerke

	M18 FH	M18 FHX
Typ	Batteridreven borrhømmare	Batteridreven borrhømmare
Produktionsnummer	4831 62 01 XXXXXX MJJJ	4831 72 01 XXXXXX MJJJ
Batterispänning	18 V ---	18 V ---
Slageffekt	2,5 J	2,5 J
Tomgångsvarvtal, obelastad	0-1330 min <sup>-1</sup>	0-1330 min <sup>-1</sup>
Belastat slagtal	0-4800 min <sup>-1</sup>	0-4800 min <sup>-1</sup>
Maskinhals diam.	46 mm	46 mm
Borrdiam. in betong	26 mm	26 mm
Borrdiam. in stål	13 mm	13 mm
Borrdiam. in trä	28 mm	28 mm
Borrkrona i tegel och kalksten	65 mm	65 mm
Vikt enligt EPTA 01/2014 ((2,0 Ah ... 12,0 Ah))	3,4 kg ... 4,4 kg	3,6 kg ... 4,6 kg
Rekommenderad omgivningstemperatur vid arbete:	-18...+50 °C	
Rekommenderade batterityper	M18B...; M18HB...	
Rekommenderade laddare	M12-18...; M1418C6	
<b>Bullerinformation:</b> Mätvärdena har tagits fram baserade på EN 60745.		
A-värdet av maskinens ljudnivå utgör:		
Ljudtrycksnivå / Onoggrannhet K	92,6 dB(A) / 3 dB(A)	92,6 dB(A) / 3 dB(A)
Ljudeffektsnivå / Onoggrannhet K	103,6 dB(A) / 3 dB(A)	103,6 dB(A) / 3 dB(A)
<b>Bär hörselskydd.</b>		
<b>Vibrationsinformation:</b> Totala vibrationsvärden (vektorsumma ur tre riktningar) framtaget enligt EN 60745.		
Vibrationsemissionsvärde a <sub>v</sub> / Onoggrannhet K		
Hammarboring in betong (a <sub>n,HD</sub> )	12,9 m/s <sup>2</sup> / 1,5 m/s <sup>2</sup>	12,9 m/s <sup>2</sup> / 1,5m/s <sup>2</sup>
Mejsla (a <sub>n,cheq</sub> )	14,2 m/s <sup>2</sup> / 1,5m/s <sup>2</sup>	14,2 m/s <sup>2</sup> / 1,5 m/s <sup>2</sup>

**! WARNING!**

De deklarerade vibrations- och bullernivåerna på detta informationsblad har uppmätts i enlighet med en standardiserad testmetod enligt EN 60745 och kan användas för att jämföra ett verktyg med ett annat. Det kan användas för en preliminär bedömning av exponeringen.

Den angivna vibrations- och bullernivån representerar verktygets huvudsakliga tillämpningar. Om verktyget emellertid används för olika tillämpningar, med olika eller dåligt underhållna tillbehör, kan vibrations- och bullerutsläppet variera. Detta kan öka exponeringsnivån avsevärt över den totala arbetsperioden.

En uppskattning av exponeringsnivån för vibrationer och buller bör även ta hänsyn till de tider då verktyget är avstängt eller när det körs utan att faktiskt arbeta. Detta kan avsevärt minska exponeringsnivån över den totala arbetsperioden.

Identifiera ytterligare säkerhetsåtgärder för att skydda operatören mot effekterna av vibrationer och/eller buller såsom: underhåll av verktyget och tillbehören, hålla händerna varma, organisation av arbetsmönster.

**! WARNING! Läs all säkerhetsinformation och alla anvisningar.** Fel som uppstår till följd av att anvisningarna nedan inte följts kan orsaka elstöt, brand och/eller allvarliga kroppsskador.  
**Förvara alla varningar och anvisningar för framtida bruk.**

**SÄKERHETSINSTRUKTIONER FÖR BORRHØMMARE**

**Bär hörselskydd.** Bullerbelastning kan orsaka hörselskador.

**Använd de extrahandtag som levereras tillsammans med maskinen.** Förlust av kontrollen kan leda till personskador.

**Håll fast apparaten med hjälp av de isolerade greppytorna när du utför arbeten där arbetsverktyget skulle kunna träffa på dolda elledningar.**

Om man kommer i kontakt med en spänningsförande ledning, så kan även de delar på verktyget som är av metall bli spänningsförande och leda till att man får en elektrisk stöt.

**ÖVRIGA SÄKERHETS- OCH ANVÄNDNINGSSINSTRUKTIONER**

Använd skyddsutrustning. Använd alltid skyddsglasögon när du använder maskinen. Som skyddsutrustning rekommenderar vi t ex en dammskyddsmask, skyddshandskar, stabila och halksäkra skor, hjälm och hörselskydd.

Det damm som bildas under arbetets gång är ofta hälsofarligt och det ska inte komma in i kroppen. Bär därför lämplig skyddsmask.

Det är inte tillåtet att bearbeta material som kan vara hälsovådligt

(t.ex. asbest).

Stäng av maskinen omedelbart om ett verktyg som används sitter fast! Sätt sedan inte på maskinen igen så länge som verktyget som används fortfarande sitter fast; risk för okontrollerade slag med högt reaktionsmoment. Ta reda på orsaken varför verktyget fastnade och åtgärda orsaken med hänsyn till säkerhetsanvisningarna.

Möjliga orsaker kan vara:

- Verktyget sitter snett i arbetsstycket
- Verktyget går igenom materialet som bearbetas
- Elverktyget är överbelastat

Gå aldrig med händerna in i en maskin som är igång.

Verktyget som används kan bli mycket varmt under användningen. **WARNING!** Risk för brännskador

- vid verktygsbyte
- när man lägger ifrån sig maskinen

Avlägsna aldrig spån eller flisor när maskinen är igång.

Vid arbetenboring i vägg, tak eller golv, var alltid observant på befintliga el-, gas- eller vattenledning.

Säkra arbetsstycket med en fastspänningsanordning. Arbetsstycken som inte är ordentligt fastspända kan leda till allvarlig kroppsskada eller annan skada.

Drag ur batteripaket innan arbete utföres på maskinen.

Kasta inte förbrukade batterier. Lämna dem till Milwaukee Tools för återvinning.

Förvara ej batteriet ihop med metallföremål, kortslutning kan uppstå.

System M18 batterier laddas endast i System M18 laddare. Ladda inte batterier från andra system.

Batterier lagras torr och skyddas för fukt.

Under extrem belastning eller extrem temperatur kan batterivätska tränga ut ur skadade utbytesbatterier. Vid beröring med batterivätska tvätta genast av med vatten och tvål. Vid ögonkontakt spola genast i minst 10 minuter och kontakta genast läkare.

**Varning!** För att undvika den fara för brand, personskador eller produktskador som orsakas av en kortslutning, doppa inte ner verktyget, utbytesbatteriet eller laddaren i vätskor och se till att ingen vätska kan tränga in i apparaterna eller batterierna. Korroderande eller ledande vätskor, som saltvatten, vissa kemikalier, blekningsmedel eller produkter som innehåller blekmedel, kan orsaka en kortslutning.

#### ANVÄND MASKINEN ENLIGT ANVISNINGARNA

Akku-borrhammaren användes universellt till hammarborring i sten, samt borra i trä, metall och plast.

Maskinen får endast användas för angiven tillämpning.

#### KVARSTÅENDE RISKER

Även vid föreskriftsnlig användning kan inte alla restriktioner uteslutas. Vid användning kan följande faror, på vilka användaren måste vara särskilt uppmärksam:

- Personskador orsakade av vibration.  
Håll fast maskinen i de därför avsedda handtagen och begränsa arbets- och exponeringstiden.
- Bullerbelastning kan leda till hörselskador.  
Bär hörselskydd och begränsa exponeringstiden.
- Ögonskador orsakade av smutspartiklar.  
Använd alltid skyddsglasögon, stabila långbyxor, handskar och stabila skor.
- Inandning av giftigt damm.

#### ANVISNINGAR AVSEENDE LITIUMJONBATTERIER

##### Användning av litiumjonbatterier

Batteri som ej använts på länge måste laddas före nytt bruk.

En temperatur över 50°C reducerar batteriets effekt. Undvik längre uppvärmning tex i solen eller nära ett element.

Se till att anslutningskontaktarna i laddaren och på det uppladdningsbara batteriet.

För att batterierna ska få lång livslängd ska de laddas fulla efter användning.

För en så lång livslängd som möjligt bör de uppladdningsbara batterierna tas ut ur laddaren efter uppladdning.

Om laddningsbara batterier lagras längre än 30 dagar:

Lagra batteriet torr och vid ca 27°C.

Lagra batteriet vid ca 30%-50% av laddningskapaciteten.

Ladda batterierna på nytt var 6:e månad.

##### Batteri-överbelastningskydd för litiumjonbatterier

Om det laddningsbara batteriet överbelastas genom en mycket hög strömförbrukning, t.ex. extremt höga vridmoment, om borsten kläms fast, ett plötsligt stopp eller en kortslutning, så vibrerar elverktyget i 5 sekunder, laddningsindikeringen blinkar och elverktyget fränkopplas automatiskt.

För att sedan sätta på elverktyget igen släpper du tryckbrytaren och tillkopplar sedan verktyget igen.

Vid en extrem belastning blir det laddningsbara batteriet för varmt. I detta fall blinkar alla lampor på laddningsindikeringen så länge tills batteriet har svalnat. När laddningsindikeringen har stannat kan du fortsätta med arbetet.

##### Transportera litiumjonbatterier

För litiumjon-batterier gäller de lagliga föreskrifterna för transport av farligt gods på väg.

Därför får dessa batterier endast transporteras enligt gällande lokala, nationella och internationella föreskrifter och bestämmelser.

- Konsumenter får transportera dessa batterier på allmän väg utan att behöva beakta särskilda föreskrifter.
- För kommersiell transport av litiumjon-batterier genom en speditorsfirma gäller emellertid bestämmelserna för transport av farligt gods på väg. Endast personal som känner till alla tillämpliga föreskrifter och bestämmelser får förbereda och genomföra transporten. Hela processen ska följas upp på fackmässigt sätt.

Följande ska beaktas i samband med transporten av batterier:

- Säkerställ att alla kontakter är skyddade och isolerade för att undvika kortslutning.
- Se till att batteripacken inte kan glida fram och tillbaka i förpackningen.
- Transportera aldrig batterier som läcker, har runnit ut eller är skadade.

För mer information vänligen kontakta din speditorsfirma.

#### ARBETSANVISNINGAR

Använd inte för mycket kraft när du borrar eller hamrar. Låt borrarhammaren arbeta för sig själv.

#### AUTOSTOP

**AUTOSTOP**™-Kickback-funktionen känner av om borsten kläms fast. Kontrolllampan blinkar och elektroniken stänger av slabbormmaskinen. Släpp avtryckarknappen och tryck in den igen för att starta.

#### ARBETEN I KYLA

När maskinen lagras under en längre tid eller vid låga temperaturer kan smörjningen bli seg och det kan hända att maskinen inte arbetar till en början eller att prestandan är för låg. Om detta händer:

1. Sätt i en borr eller en mejsel i maskinen.
2. Placera maskinen på en restbit av betong.
3. Tryck på avtryckaren med ett par sekunders mellanrum och släpp den sedan.

Efter 15 sekunder upp till 2 minuter börjar maskinen arbeta normalt. Ju kallare maskinen är desto längre tid dröjer uppvärmningen.

#### RENGÖRING

Se till att motorhöljets luftslitsar är rena.












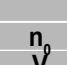





#### SKÖTSEL

Viktig! I samband med kolbyten är en översyn på serviceverkstad att rekommendera. Detta för att höja maskinens livslängd och garantera ytterligare driftssäkerhet.

Använd endast Milwaukee-tillbehör och Milwaukee-reservdelar. Komponenter, för vilka inget byte beskrivs, skall bytas ut hos Milwaukee-kundtjänst (se broschyren garanti-/kundtjänstadresser).

Vid behov kan du rekvirera apparatens sprängskiss antingen hos kundservicen eller direkt hos Techtronic Industries GmbH, Max-Eyth-Straße 10, 71364 Winnenden, Germany. Du ska då ange maskintypen och numret på sex siffror som står på effektskytten.

#### SYMBOLER

	Läs instruktionen noga innan du startar maskinen.
	OBSERVERA! VARNING! FARA!
	Drag ur batteripaket innan arbete utföres på maskinen.
	Använd alltid skyddsglasögon.
	Använd hörselskydd!
	Bär därför lämplig skyddsmask.
	Bär skyddshandskar!
	Antivibrationssystemet minskar maskinens vibrationer i handtaget.
	Tillbehör - Ingår ej i leveransomfånget, erhålles som tillbehör.
	Elektriska maskiner, batterier/uppladdningsbara batterier och får inte slängas tillsammans med de vanliga hushållssoporna. Elektriska maskiner och uppladdningsbara batterier ska samlas separat och lämnas till en avfallsstation för miljövänlig avfallshantering. Kontakta den lokala myndigheten respektive kommunen eller fråga återförsäljare var det finns speciella avfallsstationer för elskrot.
	Tomgångsvarvtal
	Spänning
	Likström
	Europeiskt konformitetsmärke
	Brittisk symbol för överensstämmelse
	Ukrainskt konformitetsmärke
	Euroasiatiskt konformitetsmärke

TEKNISET ARVOT	M18 FH	M18 FHX
Tyyppi	Akkuporavasara	Akkuporavasara
Tuotantnumero	4831 62 01 XXXXXX MJJJJ	4831 72 01 XXXXXX MJJJJ
Jännite vaihtoakku	18 V ---	18 V ---
Yksittäisen iksun voima	2,5 J	2,5 J
Kuormittamaton kierrosliku	0-1330 min <sup>-1</sup>	0-1330 min <sup>-1</sup>
Kuormitettu iskutaajuus	0-4800 min <sup>-1</sup>	0-4800 min <sup>-1</sup>
Kiinnityskaulan ø	46 mm	46 mm
Poran ø betoniin	26 mm	26 mm
Poran ø teräkseen	13 mm	13 mm
Poran ø puuhun	28 mm	28 mm
Kevytporan kärki tiilikiveen ja kalkkikiekkakiveen	65 mm	65 mm
Paino EPTA-menetelyn 01/2014mukaan ((2,0 Ah ... 12,0 Ah))	3,4 kg ... 4,4 kg	3,6 kg ... 4,6 kg
Suosittelun ympäristön lämpötila työn aikana		-18...+50 °C
Suosittelut akkutyytit	M18B...; M18HB...	
Suosittelut latauslaitteet	M12-18...; M1418C6	

#### Melunpäästötiedot:

Mitta-arvot määrätty EN 60745 mukaan.

Koneen tyyppillinen A-luokitettu melutaso:

Melutaso / Epävarmuus K

Äänenvoimakkuus / Epävarmuus K

#### Käytä korvasuojia.

**Tärinätiedot:** Värähtelyn yhteisarvot (kolmen suunnan vektorisumma) mitattuna EN 60745 mukaan.

Värähtelyemissioarvo a<sub>n</sub> / Epävarmuus K

Vasaraporaukseen, betoniin (a<sub>n,HD</sub>)

taltaus (a<sub>n,Creq</sub>)

	12,9 m/s <sup>2</sup> / 1,5 m/s <sup>2</sup>	12,9 m/s <sup>2</sup> / 1,5 m/s <sup>2</sup>
	14,2 m/s <sup>2</sup> / 1,5 m/s <sup>2</sup>	14,2 m/s <sup>2</sup> / 1,5 m/s <sup>2</sup>

## VAROITUS!

Tässä tiedotteessa ilmoitettu (ilmoitetut) tärinä- ja melupäästöarvo(t) on mitattu standardisoidulla testimenetelmällä SFS-EN 60745 mukaisesti ja sitä voidaan käyttää työkalun vertailemiseen toisen työkalun kanssa. Sitä voidaan käyttää alustavaan alitustuksen arviointiin.

Ilmoitettu tärinä- ja melupäästöarvo koskee työkalun pääkäyttötarkoituksia. Jos kuitenkin työkalua käytetään eri käyttötarkoituksiin eri varusteiden kanssa tai huonosti huollettuna, voi tärinä- ja melupäästö erota ilmoitetusta. Tämä voi merkittävästi nostaa alitustumistasoa koko työskentelyjakson ajaksi.

Arvioidussa tärinä- ja melualitustustasossa tulisi ottaa huomioon myös työkalun sammutuskerrat tai sen tyhjäkäynti. Tämä voi merkittävästi laskea alitustumistasoa koko työskentelyjakson ajaksi.

Tunnista esimerkiksi seuraavat lisävaroitukset, joilla voidaan suojata käyttäjää tärinän ja/tai melun vaikutuksilta: työkalun ja varusteiden ylläpito, käsien lämpimänä pito, työnkulun organisointi.

## VAROITUS! Lue kaikki turvallisuusmääräykset ja ohjeet.

Turvallisuusohjeiden noudattamisen laiminlyönti saattaa johtaa sähköiskuun, tulipaloon ja/tai vakavaan loukkaantumiseen.

**Säilytä kaikki turvallisuus- ja muut ohjeet tulevaisuutta varten.**

### PORAVASARA TURVALLISUUSMÄÄRÄYKSET

**Käytä korvasuojia.** Alitustuminen melulle voi vahingoittaa kuuloa.

**Käytä koneen mukana toimitettua apukahvaa.** Koneen hallinnan menetys saattaa aiheuttaa henkivahinkoja.

**Pitele laitetta vain eristetystä tarttumapinnosta, kun suoritat sellaisia töitä, joissa leikkaustyökalu saattaa osua piilossa oleviin sähköjohtoihin.**

Leikkaustyökalun yhteys jännitteelliseen johtoon saattaa tehdä laitteen metalliset osat jännitteelliseksi ja aiheuttaa sähköiskun.

### TÄYDENTÄVIÄ TURVALLISUUSMÄÄRÄYKSIÄ JA TYÖSKENTELYOHJEITA

Käytä suojavarusteita. Käytä aina suojalaseja käyttäessäs konetta. Suosittelemme suojavarusteiden käyttöä, näihin kuuluvat pölysuojanaamari, työksineet, tukevat, luistamattomat jalkineet, kypärä ja kuulosuojukset.

Koneen käytöstä aiheutuva pöly ja jäte voi olla haitallista terveydelle eikä sen vuoksi tulisi päästä kosketukseen hein kanssa. Koneella työskennellessä on käytettävä sopivaa suojainta.

Terveydellisiä vaaroja aiheuttavien materiaalien (esim. asbestin) työstäminen on kielletty.

Jos käytetty työkalu juuttuu kiinni, sammuta laite heti! Älä kytke laitetta uudelleen päälle työkalun ollessa vielä kiinni juuttuneena, koska tästä saattaa aiheutua voimakas takaisku. Selvitä työkalun juuttumisen syy ja poista syy turvallisuusmääräyksiä noudattaen.

Mahdollisia syitä voivat olla:

- työkalun vinoutuminen työstökappaleessa
- työstetyn materiaalin puhkaisuinen
- sähkötyökalun ylikuormitus

Älä tartu käynnissä olevan koneen työosiin.

Käytetty työkalu saattaa kuumeta käytön aikana.

**VAROITUS!** Palovamman vaara

- työkalua vaihdettaessa
- laitetta pois laskettaessa

Lastuja tai puruja ei saa poistaa koneen käydessä.

Varo seinään, kattoon tai lattiaan porattaessa osumasta sähköjohtoon, kaasu- ja vesijohtoihin.

Varmista työstökappaleesi kiinnityslaitteella paikalleen. Varmistamattomat työstökappaleet saattavat aiheuttaa vakavia vammoja ja vaurioita.

Ota akku pois ennen kaikkia koneeseen tehtäviä toimenpiteitä.

Käytettyjä vaihtoakkuja ei saa polttaa eikä poistaa normaalin jätehuollon kautta. Milwaukeella on tarjolla vanhoja vaihtoakkuja varten ympäristöstävällinen jätehuoltopalvelu.

Vaihtoakkuja ei saa säilyttää yhdessä metalliesineiden kanssa (oikosulkuvaara).

Käytä ainoastaan System M18 latauslaitetta System M18 akkujen lataukseen. Älä käytä muiden järjestelmien akkuja.

Vaihtoakkuja ja latauslaitteita ei saa avata. Säilytys vain kuivissa tiloissa. Suojattava kosteudelta.

Vaurioituneesta akusta saattaa erityisen kovassa käytössä tai poikkeavassa lämpötilassa vuotaa akkuhappoa. Ihonkohta, joka on joutunut kosketukseen akkuhapon kanssa on viipymättä pestävä vedellä ja saippualla. Silmä, johon on joutunut akkuhappoa, on huuhdeltava vedellä vähintään 10 minuutin ajan, jonka jälkeen on viipymättä hakeuduttava lääkärin apuun.

**Varoituis!** Jotta vältetään lyhytsulun aiheuttama tulipalon, loukkaantumisen tai tuotteen vahingoittumisen vaara, älä koskaan upota työkalua, vaihtoakkua tai latauslaitetta nesteeseen ja huolehdi siitä, ettei mitään nesteitä pääse tunkeutumaan laitteiden tai akkujen sisään. Syövyttävät tai sähköä johtavat nesteet, kuten suolavesi, tietyt kemikaalit ja lalkaisuaineet tai valkaisuaineita sisältävät tuotteet voivat aiheuttaa lyhytsulun.

### TARKOITUKSEN MUKAINEN KÄYTTÖ

Akkupyöriä, pneumaattinen vasara soveltuu yleensä kiven iskuporaukseen sekä poraukseen puuhun, metalliin ja muoviin.

Älä käytä tuotetta ohjeiden vastaisesti.

### JÄÄMÄRISKIT

Kaikkia jäämäriskejä ei voida sulkea pois myöskään määräysten mukaisen käytön aikana. Käytössä saattaa syntyä seuraavia vaaroja, joita käyttäjän tulisi varoa erityisen huolella:

- Tärinän aiheuttamat vammat.  
Pitele laitetta tähän tarkoitteista kahvoista ja rajoita työskentely- ja alitustusaikaa.
- Melurasitus saattaa aiheuttaa kuulovaurioita.  
Käytä kuulosuojaimia ja rajoita alitustumisen kesto.
- Likahiukkasten aiheuttamat silmävammat.  
Käytä aina suojalaseja, tukevia pitkälahkeisia housuja, käsineitä ja tukevia jalkineita.
- Myrkyllisten pölyjen sisäänhengittäminen.

### LI-IONI AKKUIEN OHJEITA

#### Li-ioniakkujen käyttö

Pitkään käyttämättä olleet paristot on ladattava ennen käyttöä.

Yli 50 °C lämpötilassa akun suorituskyky heikkenee. Vältähän akkujen säilyttämistä auringossa tai kuumissa tiloissa.

Pidä latauslaitteen ja akun liitospinnat puhtaina.

Optimaalisen käyttöajan saavuttamiseksi akut on ladattava täyteen käytön jälkeen.

Mahdollisimman pitkän eliniän varmistamiseksi akut tulee ottaa pois latauslaitteesta lataamisen jälkeen.

Akkua yli 30 päivää säilytettäessä:

Säilytä akku yli 27 °C:ssa ja kuivassa.

Säilytä akku sen latauksen ollessa 30 % - 50 %.

Lataa akku 6 kuukauden välein uudelleen.

#### Li-ioniakkujen ylläpito

Jos akku ylikuormittuu erittäin suuren virrankulutuksen takia, esim. erittäin voimakkaiden vääntömomenttien, poranterän kiinnijuttumisen, äkillisen pysähtymisen tai oikosulun vuoksi, niin sähkötyökalu tärisee 5 sekunnin ajan, latausnäyttö vilkkuu ja sähkötyökalu sammuu oimatoimisesti.

Käynnistä laite uudelleen päästämällä katkaisinpainikkeen irti ja käynnistämällä laitteen sitten uudelleen.

Erittäin suurella kuormituksella akku kuumenee liikaa. Tässä tapauksessa latausnäytön kaikki lamput vilkkuvat, kunnes akku on jäähtynyt. Kun latausnäyttö on sammunut, voi työtä jatkaa.

#### Li-ioniakkujen kuljettaminen

Liiumi-ioniakut kuuluvat vaarallisten aineiden kuljetuksesta annettujen lakien piiriin.

Näiden akkujen kuljettaminen täytyy suorittaa noudattaen paikallisia, kansallisia ja kansainvälisiä määräyksiä ja säädöksiä.

- Kuluttajat saavat ilman muuta kuljettaa näitä akkuja teitä pitkin.
- Kaupallisessa kuljetuksessa huolintaliikkeen täytyy kuljettaa liiumi-ioniakkuja vaarallisten aineiden kuljetuksesta annettujen määräysten mukaisesti. Ainoastaan tähän vastaavasti koulutetut henkilöt saavat suorittaa kuljetuksen valmistelutoimet ja itse kuljetuksen. Koko prosessia tulee valvoa asiantuntevasti.

Seuraavat kohdat tulee huomioida akkuja kuljetettaessa:

- Varmista, että akkujen kontaktit on suojattu ja eristetty, jotta vältetään lyhytsulut.
- Huolehdi siitä, ettei akkusarja voi luiskahtaa paikaltaan pakkauksen sisällä.
- Vahingoittuneita tai vuotavia akkuja ei saa kuljettaa.

Pyydä tarkemmat tiedot huolintaliikkeeltäsi.

### TYÖSKENTELYOHJEITA

Älä käytä liikaa voimaa poratessa tai vasaroidessa. Anna poravasaran tehdä työ puolestasi.

### AUTOSTOP

**AUTOSTOP** AUTOSTOP™-takapotkutoiminto havaitsee, jos poranterä on juuttunut kiinni. Merkkipalo vilkkuu ja elektroniikka sammuttaa poravasaran. Käynnistämiseksi näissä tapauksissa käännytä irti ja paina sitä sitten uudelleen.

### TYÖSKENTELY KYLMÄSSÄ

Jos konetta säilytetään pitemmän aikaa tai alhaisissa lämpötiloissa, niin voitelu voi jäähmetyä eikä kone ehkä voi aluksi toimia tai sen teho on liian vähäinen. Jos näin käy:

1. Pane poranterä tai taitta koneeseen.
2. Aseta kone betonin jäämäpalan päälle.
3. Toimenna katkaisinpainike aina parin sekunnin välein ja päästä se jälleen irti.

15 sekunnin - 2 minuutin kuluttua kone alkaa toimia normaalisti. Mitä kylmempi kone on, sitä pitempään kestää sen lämpeneminen.

### PUHDISTUS

Pidä moottorin ilmanottoaukot puhtaina.

### HUOLTO

Hiiltenvaihdon lisäksi jotkut muutkin huoltotoimenpiteet saattavat olla tarpeen. Koneen pitkän kestoajan ja luotettavan toimintavalmiuden turvaamiseksi, suosittelemme näissä tapauksissa käännyttämistä valtuutetun huoltokorjaamon puoleen.

Käytä ainoastaan Milwaukee lisätarvikkeita ja Milwaukee varaosia.

Mikäli jokin komponentti, jota ei ole kukaan vaihtanut, tarvitsee vaihtoa ota yhteys johonkin Milwaukee palvelupisteistä (kts. listamme takahuoltoilikeiden/ palvelupisteiden osoitteista)

Tarvittaessa voit pyytää laitteen räjähdyspirustuksen ilmoittaan konetyypin ja tyyppikilvessä olevan kuusi numeroisen luvun huoltopalvelustasi tai suoraan osoitteella Techronic Industries GmbH, Max-Eyth-Strasse 10, 71364 Winnenden, Saksa.

**SYMBOLIT**

	Lue käyttöohjeet huolellisesti, ennen koneen käynnistämistä.
	HUOMIO! VAROITUS! VAARA!
	Ota akku pois ennen kaikkia koneeseen tehtäviä toimenpiteitä.
	Käytä laitteella työskennellessäsi aina suojalaseja.
	Käytä kuulosuojaimia!
	Koneella työskennellessä on käytettävä sopivaa suojainta.
	Käytä suojakäsineitä!
	Tärinäheikkäisyjärjestelmä vähentää koneen kahvaan vaikuttavaa tärinää.
	Lisälaitte - Ei sisälly vakiovarustukseen, saatavana lisätervikkeena.
	Sähkölaitteita, paristoja/akkuja ei saa hävittää yhdessä kotitalousjätteiden kanssa. Sähkölaitteet ja akut tulee kerätä erikseen ja toimittaa kierrätysliikkeeseen ympäristöystävällistä hävittämistä varten. Pyydä paikallisilta viranomaisilta tai alan kauppiailtasi tarkemmat tiedot kierrätyspisteistä ja keräyspaikoista.
	Joutokäyntikierrosluku
	Jännite
	Tasavirta
	Euroopan säännönmukaisuusmerkki
	Iso-Britannian standardinmukaisuusmerkki
	Ukrainan säännönmukaisuusmerkki
	Euraasian säännönmukaisuusmerkki

ΤΕΧΝΙΚΑ ΣΤΟΙΧΕΙΑ	M18 FH	M18 FHx
Κατασκευαστικό είδος	Περιστροφικό πιστόλετο μπαταρίας	Περιστροφικό πιστόλετο μπαταρίας
Αριθμός παραγωγής	4831 62 01 XXXXXX MJJJ	4831 72 01 XXXXXX MJJJ
Τάση ανταλλακτικής μπαταρίας	18 V ---	18 V ---
Ενέργεια ξεχωριστής κρούσης	2,5 J	2,5 J
Αριθμός στροφών χωρίς φορτίο	0-1330 min <sup>-1</sup>	0-1330 min <sup>-1</sup>
Μέγιστος αριθμός κρούσεων με φορτίο	0-4800 min <sup>-1</sup>	0-4800 min <sup>-1</sup>
Διάμετρος λαϊμού σύσφιξης	46 mm	46 mm
Διάμετρος τρύπας σε ακυρόδεμα (μπετόν)	26 mm	26 mm
Διάμετρος τρύπας σε χάλυβα	13 mm	13 mm
Διάμετρος τρύπας σε ξύλο	28 mm	28 mm
Ελαφριά ποτηρώνα σε τούβλο και ασβεστόλιθο	65 mm	65 mm
Βάρος σύμφωνα με τη διαδικασία EPTA 01/2014 ((2,0 Ah ... 12,0 Ah))	3,4 kg ... 4,4 kg	3,6 kg ... 4,6 kg
Συνιστώμενη θερμοκρασία περιβάλλοντος κατά την εργασία	-18...+50 °C	
Συνιστώμενοι τύποι συσσωρευτών	M18B...; M18HB...	
Συνιστώμενες συσκευές φόρτισης	M12-18...; M1418C6	
<b>Πληροφορίες θορύβου:</b> Τιμές μέτρησης εξακριβωμένες κατά EN 60745. Η σύφωνα με την καμπύλη A εκμηθεύσει στάθμη θορύβου του μηχανήματος αναφέρεται σε:		
Στάθμη ηχητικής πίεσης / Ανασφάλεια K	92,6 dB(A) / 3 dB(A)	92,6 dB(A) / 3 dB(A)
Στάθμη ηχητικής ισχύος / Ανασφάλεια K	103,6 dB(A) / 3 dB(A)	103,6 dB(A) / 3 dB(A)
<b>Φοράτε υγροασπίδες.</b>		
<b>Πληροφορίες δόνησης:</b> Υλικές τιμές κραδασμών (άθροισμα διανυσμάτων τριών διευθύνσεων) εξακριβώθηκαν σύμφωνα με τα πρότυπα EN 60745.		
Τιμή εκπομπής δόνησεων a <sub>v</sub> / Ανασφάλεια K		
Τρύπημα, Σκυρόδεμα μπετόν (a <sub>h,HD</sub> )	12,9 m/s <sup>2</sup> / 1,5 m/s <sup>2</sup>	12,9 m/s <sup>2</sup> / 1,5m/s <sup>2</sup>
Σμίλευση (a <sub>h,Chaeq</sub> )	14,2 m/s <sup>2</sup> / 1,5m/s <sup>2</sup>	14,2 m/s <sup>2</sup> / 1,5 m/s <sup>2</sup>

**ΠΡΟΕΙΔΟΠΟΙΗΣΗ!**

Το αναφερόμενο στο παρόν φυλλάδιο επίπεδο τιμών δόνησης και εκπομπής θορύβου έχει μετρηθεί σύμφωνα με μια τυπική μέθοδο δοκιμών κατά το πρότυπο EN 60745 και μπορεί να χρησιμοποιηθεί για τη σύγκριση εργαλείων μεταξύ τους. Μπορεί να χρησιμοποιηθεί για μια προκαταρκτική αξιολόγηση της έκθεσης.

Οι αναφερόμενες τιμές επιπέδων δόνησης και εκπομπής θορύβου αντιστοιχούν στις βασικές εφαρμογές του εργαλείου. Στην περίπτωση χρήσης του εργαλείου σε διαφορετικές εφαρμογές, με διαφορετικά εξαρτήματα ή ανεπαρκή συντήρηση, τα επίπεδα δόνησης και εκπομπών θορύβου ενδέχεται να διαφέρουν. Αυτό μπορεί να έχει ως συνέπεια μία σημαντική αύξηση των επιπέδων έκθεσης καθόλη τη διάρκεια εκτέλεσης των εργασιών.

Για μία εκτίμηση των επιπέδων έκθεσης σε δόνηση και θόρυβο πρέπει να συνηγορούνται οι χρόνοι απενεργοποίησης του εργαλείου ή αυτοί κατά τους οποίους παραμένει ενεργό χωρίς να εκτελείται κάποια εργασία. Αυτό μπορεί να μειώσει σημαντικά τα επίπεδα έκθεσης καθόλη τη διάρκεια εκτέλεσης των εργασιών.

Ορίστε πρόσθετα μέτρα προστασίας του χειριστή από την έκθεση στη δόνηση ή/και στον θόρυβο όπως: συντήρηση του εργαλείου και των παρελκόμενων εξαρτημάτων, διατήρηση θερμότητας των χεριών, οργάνωση μοτίβων εργασιών.

**ΠΡΟΣΟΧΗ! Διαβάστε όλες τις οδηγίες ασφαλείας και τις οδηγίες χρήσεως.** Αμέλειες κατά την τήρηση των προειδοποιητικών υποδείξεων μπορεί να προκαλέσουν ηλεκτροπληξία, κίνδυνο πυρκαγιάς ή/και σοβαρούς τραυματισμούς.

**Φυλάξτε όλες τις προειδοποιητικές υποδείξεις και οδηγίες για κάθε μελλοντική χρήση.**

**ΟΔΗΓΙΕΣ ΑΣΦΑΛΕΙΑΣ ΓΙΑ ΠΕΡΙΣΤΡΟΦΙΚΟ ΠΙΣΤΟΛΕΤΟ**

**Φοράτε υγροασπίδες.** Η επίδραση θορύβου μπορεί να προκαλέσει απώλεια ακοής.

**Χρησιμοποιείτε με τη συσκευή τις προμηθευόμενες πρόσθετες χειρολαβές.** Η απώλεια ελέγχου μπορεί να οδηγήσει σε τραυματισμό.

**Να πιάνετε τη συσκευή στις μονωμένες χειρολαβές όταν εκτελείτε εργασίες κατά τις οποίες τα κοπτικά εργαλεία θα μπορούσαν να πέσουν επάνω σε κρυμμένα καλώδια ρεύματος.** Η επαφή των κοπτικών εργαλείων με αγωγό τροφοδοσίας τάσης μπορεί να θέσει τα μεταλλικά τμήματα της συσκευής υπ'όταση και να προκαλέσει ηλεκτροπληξία.

**ΠΕΡΑΙΤΕΡΩ ΟΔΗΓΙΕΣ ΑΣΦΑΛΕΙΑΣ ΚΑΙ ΧΡΗΣΕΩΣ**

Χρησιμοποιείτε προστατευτικό εξοπλισμό. Κατά την εργασία με τη μηχανή φοράτε πάντα προστατευτικά γυαλιά. Συνιστούμε επίσης προστατευτική ενδυμασία όπως επίσης μάσκα προστασίας αναπνοής, προστατευτικά γάντια, σταθερά και ασφαλή στην ολισθήση υποδήματα, κράνος και υγροασπίδες.

Η σκόνη που δημιουργείται κατά την εργασία είναι συχνά επιβλαβής για την υγεία και δεν επιτρέπεται να έλθει στο σώμα. Να φοράτε κατάλληλη μάσκα προστασίας από σκόνη.

Μην επεξεργάζεστε επικίνδυνα για την υγεία υλικά (π.χ. αμιάντος).

Σε περίπτωση μπλοκαρίσματος της αρίδας απενεργοποιείτε αμέσως τη συσκευή! Μην ενεργοποιείτε εκ νέου τη συσκευή όσο η αρίδα είναι μπλοκαρισμένη. Σ' αυτή τη περίπτωση θα μπορούσε να προκύψει υψηλή ροπή αντίδρασης. Βρείτε την αιτία του μπλοκαρίσματος της αρίδας και ξεμπλοκάρτε την λαμβάνοντας υπόψη τις οδηγίες ασφαλείας.

Πιθανές αιτίες:

- Η αρίδα μάγκωσε με το προς κατεργασία κομμάτι.
- Σπάσιμο του προς κατεργασία υλικού.
- Υπερφόρτωση του ηλεκτρικού εργαλείου.

Μην απλώνετε τα χέρια σας στην επικίνδυνη περιοχή της μηχανής όταν είναι σε λειτουργία.

Η θερμοκρασία της αρίδας μπορεί να φτάσει σε υψηλά επίπεδα κατά τη λειτουργία.

## ΠΡΟΕΙΔΟΠΟΙΗΣΗ! Κίνδυνος εγκαύματος

- κατά την αλλαγή εργαλείου (αρίδας)
- κατά την απόθεση της συσκευής

Τα γρέζια ή οι σκλήθρες δεν επιτρέπεται να απομακρύνονται όσο η μηχανή βρίσκεται σε λειτουργία.

Κατά τις εργασίες σε τοίχο, οροφή ή δάπεδο προσέχετε για τυχόν ηλεκτρικά καλώδια και για σωλήνες αερίου και νερού.

Ασφαλίστε το προς κατεργασία κομμάτι στη μέγγενη ή με μια άλλη διάταξη στερέωσης. Μη ασφαλισμένα προς κατεργασία κομμάτια μπορεί να προκαλέσουν σοβαρούς τραυματισμούς και ζημιές.

Πριν από κάθε εργασία στη μηχανή αφαιρείτε την ανταλλακτική μπαταρία.

Μην πετάτε τις μεταχειρισμένες ανταλλακτικές μπαταρίες στη φωτιά ή στα οικιακά απορρίμματα. Η Milwaukee προσφέρει μια απόσυρση των παλιών ανταλλακτικών μπαταριών σύμφωνα με τους κανόνες προστασίας του περιβάλλοντος, ρωτήστε παρακαλώ σχετικά στο ειδικό κατάστημα πώλησης.

Μην αποθηκεύετε τις ανταλλακτικές μπαταρίες μαζί με μεταλλικά αντικείμενα (κίνδυνος βραχυκυκλώματος).

Φορτίζετε τις ανταλλακτικές μπαταρίες του συστήματος M18 μόνο με φορτιστές του συστήματος M18. Μη φορτίζετε μπαταρίες από άλλα συστήματα.

Μην ανοίγετε τις ανταλλακτικές μπαταρίες και τους φορτιστές και χρησιμοποιείτε για αποθήκευση μόνο στεγνού χώρου. Προστατεύετε τις ανταλλακτικές μπαταρίες και τους φορτιστές από την υγρασία.

Όταν υπάρχει υπερβολική καταπόνηση ή υψηλή θερμοκρασία μπορεί να τρέξει υγρό μπαταρίας από τις χαλασμένες επαναφορτιζόμενες μπαταρίες. Αν έρθετε σε επαφή με υγρό μπαταρίας να πλυθείτε αμέσως με νερό και σαπούνι. Σε περίπτωση επαφής με τα μάτια να πλυθείτε σχολαστικά για τουλάχιστον 10 λεπτά και να αναζητήσετε αμέσως ένα γιατρό.

**Προειδοποίηση!** Για να αποτρέπεται τον κίνδυνο πυρκαγιάς λόγω βραχυκυκλώματος, τραυματισμούς ή ζημιές του προϊόντος, να μη βυθίζετε το εργαλείο, τον ανταλλακτικό συσσωρευτή ή τη συσκευή φόρτισης σε υγρά και να φροντίζετε, ώστε να μη διεισδύουν υγρά στις συσκευές και τους συσσωρευτές. Διαβρωτικές ή αγώγιμες υγρές ουσίες, όπως αλατόνερο, ορισμένες χημικές ουσίες και λευκαντικά ή προϊόντα που περιέχουν λευκαντικά, μπορεί να προκαλέσουν βραχυκύκλωμα.

## ΧΡΗΣΗ ΣΥΜΦΩΝΑ ΜΕ ΤΟ ΣΚΟΠΟ ΠΡΟΟΡΙΣΜΟΥ

Το κρουστικό τρυπάνι με μπαταρία μπορεί να χρησιμοποιηθεί γενικά για κρουστικό τρύπημα σε πετρώματα και για τρύπημα σε ξύλο, μέταλλο και πλαστικό ανεξάρτητα από το αν υπάρχει παροχή ρεύματος.

Αυτή η συσκευή επιτρέπεται να χρησιμοποιηθεί μόνο σύμφωνα με τον αναφερόμενο σκοπό προορισμού.

## ΥΠΟΛΕΙΠΟΜΕΝΟΙ ΚΙΝΔΥΝΟΙ

Ακόμη και σε κανονική χρήση δεν μπορούν να αποκλείονται όλοι οι υπολειπόμενοι κίνδυνοι. Κατά τη χρήση θα μπορούσαν να προκύψουν οι ακόλουθοι κίνδυνοι, στους οποίους θα έπρεπε να δίνει ο χειριστής ιδιαίτερη προσοχή:

- Τραυματισμοί που προκύπτουν από δονήσεις. Να κρατάτε το μηχάνημα από τις προβλεπόμενες για το σκοπό αυτό χειρολαβές και να περιορίζετε το χρόνο εργασίας και έκθεσης.
- Η ηχορρύπανση μπορεί να οδηγήσει σε ακουστικά τραύματα. Να φοράτε προστατευτικά ακούς και να περιορίζετε τη διάρκεια έκθεσης.
- Τραυματισμοί των οφθαλμών που προκύπτουν από ρυπαρόνα σωματίδια. Να φοράτε πάντα προστατευτικά γυαλιά, ανθεκτικά, μακριά παντελόνια, γάντια και ανθεκτικά υποδήματα.
- Εισπνοή δηλητηριώδους σκόνης.

## ΥΠΟΔΕΙΞΕΙΣ ΓΙΑ ΕΠΑΝΑΦΟΡΤΙΖΟΜΕΝΕΣ ΜΠΑΤΑΡΙΕΣ ΙΟΝΤΩΝ ΛΙΘΙΟΥ

### Χρήση επαναφορτιζόμενων μπαταριών ιόντων λιθίου

Επαναφορτίζετε τις μπαταρίες που δεν έχουν χρησιμοποιηθεί για μεγαλύτερο χρονικό διάστημα πριν τη χρήση.

Μια θερμοκρασία πάνω από 50°C μειώνει την ισχύ της μπαταρίας. Αποφύγετε τη θέρμανση για μεγαλύτερο χρονικό διάστημα από τον ήλιο ή τις συσκευές θέρμανσης.

Διατηρείτε τις επαφές σύνδεσης στο φορτιστή και την επαναφορτιζόμενη μπαταρία καθαρές.

Για μια άριστη διάρκεια ζωής πρέπει μετά τη χρήση οι μπαταρίες να φορτιστούν πλήρως.

Για μια κατά το δυνατόν μεγάλη διάρκεια ζωής θα έπρεπε να αφαιρούνται οι επαναφορτιζόμενες μπαταρίες από το φορτιστή μετά τη φόρτιση.

Για την αποθήκευση της μπαταρίας για διάστημα μεγαλύτερο των 30 ημερών:

Αποθηκεύετε τη μπαταρία περ. στους 27°C σε στεγνό χώρο. Αποθηκεύετε τη μπαταρία περ. στο 30%-50% της κατάστασης φόρτισης. Κάθε 6 μήνες φορτίζετε εκ νέου τη μπαταρία.

### Προστασία υπερφόρτισης επαναφορτιζόμενων μπαταριών ιόντων λιθίου

Σε υπερφόρτωση της μπαταρίας από πολύ υψηλή κατανάλωση ρεύματος, π. χ. από ακραίες υψηλές ροπές περιστροφής, μπλοκάρισμα του τρυπανιού, ξαφνικό stop ή βραχυκύκλωμα, δοκείται το ηλεκτρικό εργαλείο για 5 δευτερόλεπτα, αναβοσβήνει η ένδειξη φόρτισης και το ηλεκτρικό εργαλείο απενεργοποιείται αυτόματα.

Για μια νέα ενεργοποίηση, αφήνετε ελεύθερο το διακόπτη και στη συνέχεια ενεργοποιείτε εκ νέου.

Κάτω από ακραίες καταπονήσεις θερμαίνεται πάρα πολύ η μπαταρία. Στην περίπτωση αυτή αναβοσβήνουν όλες οι λάμπες της ένδειξης φόρτισης μέχρι να έχει κρυώσει η μπαταρία. Μετά το σβήσιμο της ένδειξης φόρτισης μπορεί να συνεχιστεί η συνεργασία.

### Μεταφορά επαναφορτιζόμενων μπαταριών ιόντων λιθίου

Οι μπαταρίες ιόντων λιθίου υπόκεινται στις απαιτήσεις των νομικών διατάξεων για την μεταφορά επικινδύνων εμπορευμάτων.

Η μεταφορά τέτοιων μπαταριών πρέπει να πραγματοποιείται τηρώντας τους τοπικούς, εθνικούς και διεθνείς κανονισμούς και τις αντίστοιχες διατάξεις.

- Επιτρέπεται η μεταφορά τέτοιων μπαταριών στο δρόμο χωρίς περαιτέρω απαίτησης.
- Η εμπορική μεταφορά μπαταριών ιόντων λιθίου από εταιρείες μεταφορών υπόκειται στις απαιτήσεις των νομικών διατάξεων για την μεταφορά επικινδύνων εμπορευμάτων. Οι προετοιμασίες αποστολής και η μεταφορά πραγματοποιούνται αποκλειστικά από ειδικά εκπαιδευμένα πρόσωπα. Η συνολική διαδικασία συνοδεύεται από εξειδικευμένο προσωπικό.

Κατά τη μεταφορά μπαταριών ιόντων λιθίου πρέπει να προσέχετε τα εξής:

- Φροντίστε τα σημεία επαφών να είναι προστατευμένα και μονωμένα ώστε να αποφευχθούν βραχυκυκλώματα.
- Προσέξτε το πακέτο μπαταριών να είναι σταθερό μέσα στη συσκευασία και να μη γλιστρά.
- Η μεταφορά μπαταριών που παρουσιάζουν φθορές ή διαρροές δεν επιτρέπεται.

Για περισσότερες πληροφορίες απευθυνθείτε στην εταιρεία μετάφορων.

## ΥΠΟΔΕΙΞΕΙΣ ΕΡΓΑΣΙΑΣ

Μην καταβάλλετε μεγάλη δύναμη κατά τη διάτρηση ή σφρηλάτηση. Αφήστε να εργάζεται το σφυροτύπασμα για σας.

## ΑΥΤΟΜΑΤΟ ΣΤΟΠ



Η λειτουργία Kickback-AUTOSTOP™ ανιχνεύει ένα κόλλημα του τρυπανιού. Η λάμπα ελέγχου αναβοσβήνει και το ηλεκτρονικό σύστημα απενεργοποιεί το κρουστικό τρυπάνι. Προς εκ νέου ενεργοποίηση αφήνετε ελεύθερη και πιέζετε πάλι τη σκανδάλη.

## ΕΡΓΑΣΙΕΣ ΜΕ ΚΡΥΟ

Σε περίπτωση που αποθηκεύεται το μηχάνημα για μεγάλο χρονικό διάστημα σε χαμηλές θερμοκρασίες, μπορεί να γίνεται η λίπανση πολύ παχύρρεστη κι αρχικά να μην εργάζεται το μηχάνημα ή να έχει πολύ χαμηλή ισχύ. Όταν συμβεί αυτό:

1. Τοποθετείτε ένα τρυπάνι ή καλέμι στο μηχάνημα.
2. Θέτετε το μηχάνημα πάνω σ' ένα απομεινίδι σκυροδέματος.
3. Πιέζετε τη σκανδάλη κάθε δυο δευτερόλεπτα και την αφήνετε πάλι ελεύθερη.

Μετά από 15 δευτερόλεπτα έως 2 λεπτά αρχίζει το μηχάνημα να σφυροκοπεί κανονικά. Όσο πιο κρύο είναι το μηχάνημα, τόσο περισσότερο διαρκεί το ζέσταμα.

## ΚΑΘΑΡΙΣΜΟΣ

Διατηρείτε πάντοτε τις σχισμές εξερισμού της μηχανής καθαρές.

## ΣΥΝΤΗΡΗΣΗ

Σε περίπτωση που οι ψήκτρες (καρβουνάκια) είναι φθαρμένες πρέπει εκτός της αλλαγής τους να εκτελεστεί και ένα σέρβις σε ένα συμβεβλημένο συνεργείο. Αυτό μεγαλώνει τη διάρκεια ζωής της μηχανής και εγγυάται μια συνεχή ετοιμότητα λειτουργίας.

Χρησιμοποιείτε μόνο αξεσουάρ Milwaukee και ανταλλακτικά Milwaukee. Εξαρτήματα, που η αλλαγή τους δεν περιγράφεται, αντικαθίστανται σε μια τεχνική υποστήριξη της Milwaukee (βλέπε φυλλάδιο εγγύηση/ διευθύνσεις τεχνικής υποστήριξης).

Σε περίπτωση που οι χρειαστείτε μπορείτε να παραγγείλετε λεπτομερές σχέδιο της συσκευής αναφέροντας τον τύπο και τον εξαψήφιο αριθμό που βρίσκεται στην πινακίδα τεχνικών χαρακτηριστικών από την εξυπηρέτηση πελατών ή απευθείας από την Techtronic Industries GmbH, διεύθυνση Max-Eyth-Straße 10, 71364 Winnenden, Germany.

## ΣΥΜΒΟΛΑ

	Παρακαλώ διαβάστε σχολαστικά τις οδηγίες χρήσης πριν από την έναρξη λειτουργίας.
	ΠΡΟΣΟΧΗ! ΠΡΟΕΙΔΟΠΟΙΗΣΗ! ΚΙΝΔΥΝΟΣ!
	Πριν από κάθε εργασία στη μηχανή αφαιρείτε την ανταλλακτική μπαταρία.
	Στις εργασίες με τη μηχανή φοράτε πάντοτε προστατευτικά γυαλιά.
	Φοράτε προστασία ακοής (ωασιπίδες)!
	Να φοράτε κατάλληλη μάσκα προστασίας από σκόνη.

	Να φοράτε προστατευτικά γάντια!
	Το αντικραδασμικό σύστημα μειώνει τους κραδασμούς στη χειρολαβή τής μηχανής.
	Εξαρτήματα - Δεν περιλαμβάνονται στα υλικά παράδοσης, συστατούμενη προσθήκη από το πρόγραμμα εξαρτημάτων.
	Ηλεκτρικά μηχανήματα, μπαταρίες/συσσωρευτές δεν επιτρέπεται να απορρίπτονται μαζί με τα οικιακά απορρίμματα. Ηλεκτρικά μηχανήματα και συσσωρευτές συλλέγονται ξεχωριστά και παραδίδονται προς ανακύκλωση με τρόπο φιλικό προς το περιβάλλον σε επιχείρηση επεξεργασίας απορριμμάτων. Ενημερωθείτε από τις τοπικές υπηρεσίες ή από ειδικευμένους εμπόρους σχετικά με κέντρα ανακύκλωσης και συλλογής απορριμμάτων.
	Αριθμός στροφών ρελαντί
	Τάση
	Συνεχές ρεύμα
	Ευρωπαϊκό σήμα πιστότητας
	Βρετανικό σήμα πιστότητας
	Ουκρανικό σήμα πιστότητας
	Ευρασιατικό σήμα πιστότητας

TEKNİK VERİLER	M18 FH	M18 FHX
Modeli	Akü matkap çekici	Akü matkap çekici
Üretim numarası	4831 62 01 XXXXXX MJJJJ	4831 72 01 XXXXXX MJJJJ
Kartuş akü gerilimi	18 V ---	18 V ---
Tek darbe enerjisi	2,5 J	2,5 J
Boşta ki devir sayısı	0-1330 min <sup>-1</sup>	0-1330 min <sup>-1</sup>
Yükteki darbe sayısı	0-4800 min <sup>-1</sup>	0-4800 min <sup>-1</sup>
Germe boynu çapı	46 mm	46 mm
Delme çapı beton	26 mm	26 mm
Delme çapı çelikte	13 mm	13 mm
Delme çapı tahta	28 mm	28 mm
Tuğla ve kireçli kum taşında hafif kaya ucu ile	65 mm	65 mm
Ağırlığı ise EPTA-üretici 01/2014'e göre ((2,0 Ah ... 12,0 Ah))	3,4 kg ... 4,4 kg	3,6 kg ... 4,6 kg
Çalışma sırasında tavsiye edilen ortam sıcaklığı		-18...+50 °C
Tavsiye edilen akü tipleri		M18B...; M18HB...
Tavsiye edilen şarj aletleri		M12-18...; M1418C6

**Gürültü bilgileri:** Ölçüm değerleri EN 60745 e göre belirlenmektedir.

Aletin, frekansa bağımlı uluslararası ses basıncı seviyesi değerlendirme eğrisi A'ya göre tipik gürültü seviyesi:

Ses basıncı seviyesi / Tolerans K 92,6 dB(A) / 3 dB(A)

Akustik kapasite seviyesi / Tolerans K 103,6 dB(A) / 3 dB(A)

**Koruyucu kulaklık kullanın.**

**Vibrasyon bilgileri:** Toplam titreşim değeri (Üç yönün vektör toplamı) EN 60745'e göre belirlenmektedir.

Titreşim emisyon değeri a<sub>n</sub> / Tolerans K 12,9 m/s<sup>2</sup> / 1,5 m/s<sup>2</sup>

Delme, beton (a<sub>h,HD</sub>) 14,2 m/s<sup>2</sup> / 1,5m/s<sup>2</sup>

Kesikleme (a<sub>h,Chae</sub>) 14,2 m/s<sup>2</sup> / 1,5 m/s<sup>2</sup>

**UYARI!**

Bu bilgi formunda belirtilen titreşim ve gürültü düzeyi EN 60745 uyarınca standart bir test yöntemine göre ölçülmüş olup, bir aleti diğeriyle karşılaştırmak için kullanılabilir. Bir maruz kalma ön değerlendirmesi için de kullanılabilir.

Beyan edilmiş titreşim ve gürültü emisyon değeri aletin ana uygulamalarını temsil eder. Ancak, alet farklı uygulamalar için veya farklı aksesuarla kullanılır ya da aletin bakımı yetersiz yapılırsa, titreşim ve gürültü emisyonu farklılık gösterebilir. Bu, toplam çalışma süresi boyunca maruz kalma seviyesini önemli ölçüde artırabilir.

Titreşim ve gürültüye maruz kalma seviyesi tahmininde, aletin kapalı olduğu veya çalıştığı, ancak aslında işini yapmadığı süreler de göz önünde bulundurulmalıdır. Bu, toplam çalışma süresi boyunca maruz kalma seviyesini önemli ölçüde azaltabilir.

Operatörü titreşim ve/veya gürültünün etkilerinden korumak için, aletin ve aksesuarların bakımını yapmak, elleri sıcak tutmak ve çalışma biçimlerini düzenlemek gibi ilave güvenlik önlemleri belirleyin.

**UYARI! Bütün güvenlik notlarını ve talimatları okuyunuz.**

Açıklanan uyarılara ve talimat hükümlerine uyulmadığı takdirde elektrik çarpmalarına, yangınlara ve/veya ağır yaralanmalara neden olabilir.

**Bütün uyarıları ve talimat hükümlerini ileride kullanmak üzere saklayın.**

**MATKAP ÇEKİCİ İLİŞKİN GÜVENLİK UYARILARI**

**Koruyucu kulaklık kullanın.** Çalışırken çıkan gürültü işitme kayıplarına neden olabilir.

**Aletle birlikte teslim edilen ek tutamakları kullanın.** Aletin kontrolden çıkması kazalara neden olabilir.

**Kesme aletinin eğrilmiş elektrik kabloları isabet eden çalışmalar yapılırken cihazı izole edilmiş kollarından tutun.** Kesme aletinin içinden elektrik akımı geçen kablo ile temas etmesi durumunda elektrik akımı cihazın metal kısımlarına geçer ve elektrik çarpmasına sebebiyet verebilir.

**EK GÜVENLİK VE ÇALIŞMA TALİMATLARI**

Koruma teçhizatı kullanın. Makinada çalışırken devamlı surette koruyucu gözlük takın. Koruyucu elbise ve tozlardan korunma maskesi, emniyet eldivenleri ve sağlam ve kaymaya mukavim ayakkabı giyin. Başlık ve kulaklık tavsiye edilir.

Çalışma sırasında ortaya çıkan toz genellikle sağlığa zararlıdır ve

bedeninize temas etmemelidir. Uygun bir koruyucu toz maskesi kullanın

Sağlık tehlikelerine neden olan malzemelerin işlenmesi yasaktır (örn. asbest).

Uca yerleştirilen takımın bloke olması halinde lütfen cihazı hemen kapatın! Uca yerleştirilen takım bloke olduğu sürece cihazı tekrar çalıştırmayın; bu sırada yüksek reaksiyon momentine sahip bir geri tepme meydana gelebilir. Uca yerleştirilen takımın neden bloke olduğuna bakın ve bu durumu güvenlik uyarılarına dikkat ederek gidin.

Olası nedenler şunlar olabilir:

- İşlenen parça içinde takılma
- İşlenen malzemenin delinmesi
- Elektrikli alete aşırı yük binmesi

Ellerinizi çalışmakta olan makinenin içine uzatmayın.

Uca yerleştirilen takım kullanım sırasında ısınabilir.

**UYARI!** Yanma tehlikesi

- takım değiştirme sırasında
- aletin yere bırakılması sırasında

Alet çalışır durumda iken talaş ve kırpıntıları temizlemeye çalışmayın.

Duvar, tavan ve zeminde delik açarken elektrik kablolarına, gaz ve su borularına dikkat edin.

İşlenen parçayı bir germe tertibatıyla emniyete alın. Emniyete alınmayan iş parçaları ağır yaralanmalar ve hasarlara neden olabilir.

Aletin kendinde bir çalışma yapmadan önce kartuş aküyü çıkarın.

Kullanılmış kartuş aküleri ateşe veya ev çöplerine atmayın.

Milwaukee, kartuş akülerin çevreye zarar vermeyecek biçimde tasfiye edilmesine olanak sağlayan hizmet sunar; lütfen bu konuda yetkili satıcınızdan bilgi alın.

Kartuş aküleri metal parça veya eşyalarla birlikte saklamayın (kısa devre tehlikesi).

C18 sistemli kartuş aküleri sadece M18 sistemli şarj cihazları ile şarj edin. Başka sistemli aküleri şarj etmeyin.

Kartuş aküleri ve şarj cihazını açmayın ve sadece kuru yerlerde saklayın. Neme ve ıslanmaya karşı koruyun.

Aşırı zorlanma veya aşırı ısınma sonucu hasar gören kartuş akülerden batarya sıvısı dışarı akabilir. Batarya sıvısı ile temasa gelen yeri hemen bol su ve sabunla yıkayın. Batarya sıvısı gözünüze kaçacak olursa en azından 10 dakika yıkayın ve zaman geçirmeden bir hekime başvurun.

**Uyarı!** Bir kısa devreden kaynaklanan yangın, yaralanma veya ürün hasarları tehlikesini önlemek için aleti, güç paketini veya şarj cihazını asla sıvıların içine daldırmayınız ve cihazların ve pillerin içine sıvı girmesini önleyiniz. Tuzlu su, belirli kimyasallar, ağartıcı madde veya ağartıcı madde içeren ürünler gibi korozif veya iletken sıvılar kısa devreye neden olabilir.

**KULLANIM**

Bu akülü kırıcı-delici, taşa kırma; tahta, metal ve plastikte delme işleri için çok yönlü kullanılabilir.

Bu alet sadece belirttiği gibi ve usulüne uygun olarak kullanılabilir.

**KALAN RİSKLER**

Usulüne uygun kullanım durumunda da bütün kalan riskler ortadan kaldırılamaz. Kullanım sırasında, kullanıcının özellikle dikkat etmesi gerektiği aşağıdaki tehlikeler oluşabilir:

- Titreşimden dolayı oluşan yaralanmalar.
- Cihazı bunun için öngörülen kullardan tutun ve çalışma ve maruz kalam sürelerini sınırlandırın.
- Gürültü yükü işitme zararlarına neden olabilir.
- Kulaklık takın ve maruz kalma süresini sınırlandırın.
- Kir parçacıklarından dolayı oluşan göz yaralanmaları.
- Daima koruyucu gözlük, sağlam uzun pantolon, eldiven ve sağlama ayakkabılar giyiniz.
- Zehirli tozların solunması.

**LİTYUM İYON PİLLER İÇİN AÇIKLAMALAR**

**Lityum iyon pillerin kullanılması**

Uzun süre kullanım dışı kalmış aküleri kullanmadan önce şarj edin. 50°C üzerindeki sıcaklıklar akünün performansını düşürür. Akünün güneş ışığı veya mekân sıcaklığı altında uzun süre ısınmamasına dikkat edin.

Şarj cihazı ve aküdeki bağlantı noktalarını temiz tutun. Akünün ömrünün mükemmel bir şekilde uzun olması için kullandıktan sonra tamamen doldurulması gerekir.

Ömrünün mümkün olduğu kadar uzun olması için akülerin şarj ettirildikten sonra şarj cihazından çıkarılması gerekir.

Akünün 30 günden daha fazla depolanması halinde: Aküyü takriben 27°C'de kuru olarak depolayın.

Aküyü yüklemeye durumun takriben % 30 - %50 olarak depolayın. Aküyü her 6 ay yeniden doldurun.

**Lityum iyon pillerin aşırı pil şarj koruması**

Pek fazla elektrik tüketiminden dolayı, örneğin aşırı fazla devir momentleri, matkapların sıkışması, aniden durma veya kısa devre gibi aküye aşırı yüklenme durumunda elektro cihazı 5 saniye titreşir, yüklemeye göstergesi yanıp söner ve elektro cihaz kendiliğinden durur. Yeniden çalıştırmak için şalter baskısını serbest bırakın ve bundan sonra tekrar çalıştırın. Akü aşırı yüklenmeden dolayı fazla ısınır. Bu durumda akü soğuyana kadar yüklemeye göstergesinin bütün lambaları yanıp söner. Gösterge lambalarının sönmelerinden sonra tekrar çalışmaya devam edilebilir.

**Lityum iyon pillerin taşınması**

Lityum iyon piller tehlikeli madde taşımacılığı hakkındaki yasal hükümler tabii.

Bu piller, bölgesel, ulusal ve uluslararası yönetmeliklere ve hükümlere uyularak taşınmak zorundadır.

- Tüketiciler bu pilleri herhangi bir özel şart aranmaksızın karayoluyla taşıyabilirler.
- Lityum iyon pillerin nakliye şirketleri tarafından ticari taşımacılığı için tehlikeli madde taşımacılığının hükümleri geçerlidir. Sevk hazırlığı ve taşıma sadece ilgili eğitimi görmüş personel tarafından gerçekleştirilebilir. Bütün süre uzmanca bir refakatçilik altında gerçekleştirilmek zorundadır.

Pillerin taşınması sırasında aşağıdaki hususlara dikkat edilmesi gerekmektedir:

- Kısa devre oluşmasını önlemek için kontakların korunmuş ve izole edilmiş olmasını sağlayınız.
- Pili paketinin ambalajı içinde kaymamasına dikkat ediniz.
- Hasarlı veya akmış pillerin taşınması yasaktır.

Ayrıca bilgiler için nakliye şirketinize başvurunuz.

**ÇALIŞMA AÇIKLAMALARI**

Delme veya kırma için aşırı kuvvet uygulamayın. İşi delici-kırıcı matkaba yaptırın.

**OTOMATİK DURMA**

**AUTOSTOP™**-Kickback fonksiyonu matkabin sıkışmasını algılar. Kontrol lambası yanıp sönmekte ve elektroniği kırıcı delici matkabi kapatır. Çalıştırmak için şalterli düğmeyi bırakın ve tekrar basın.

**SOĞUK HAVALARDA ÇALIŞMAK**

Makine uzun süre veya düşük sıcaklıklarda muhafaza edildiğinde, yağlama maddesi kıvama koyulaşabilir ve makinenin ilk başta çalışmaması ve gücünün düşük olması mümkün olabilir. Böyle durumlarda:

1. Matkap veya kırıcı ucu makineye takınız.
2. Makineyi artık bir parça betona dayayınız.
3. Şaltere birkaç saniyede bir basın ve tekrar bırakınız.

15 saniye ile 2 dakika arası bir süre sonra makine normal şekilde kırma modunda çalışmaya başlayacaktır. Makine ne kadar soğuk olursa, ısınması o kadar uzun sürer.

**TEMİZLEME**

Aletin havalandırma aralıklarını daima temiz tutun.

**BAKIM**

Önemli açıklama! Yıpranan kömür fırçalar bir müşteri servisinde değiştirilmelidir. Bu sayede aletin kullanım ömrü uzar ve alet daima çalışmaya hazır olur.

Sadece Milwaukee aksesuarı ve yedek parçası kullanın. Nasıl değiştirileceği açıklanmamış olan yapı parçalarını bir Milwaukee müşteri servisinde değiştirin (Garanti ve servis adresi broşürüne dikkat edin).

Gerektiğinde cihazın ayrıntılı çizimini, güç levhası üzerindeki makine modelini ve altı haneli rakamı belirterek müşteri servisinizden veya doğrudan Techronic Industries GmbH, Max-Eyth-Straße 10, 71364 Winnenden, Germany adresinden isteyebilirsiniz.

	Lütfen aleti çalıştırmadan önce kullanma kılavuzunu dikkatli biçimde okuyun.
	DIKKATI UYARI! TEHLİKE!
	Aletin kendinde bir çalışma yapmadan önce kartuş aküyü çıkarın.
	Alette çalışırken daima koruyucu gözlük kullanın.
	Koruyucu kulaklık kullanın!
	Uygun bir koruyucu toz maskesi kullanın
	Koruyucu eldivenlerinizi takınız!
	Titreşimleri önleme sistemi, makinenin tutma kulpundaki titreşimleri azaltmaktadır.
	Aksesuar - Teslimat kapsamında değildir, önerilen tamamlamalar aksesuar programında.
	Elektrikli cihazların, pillerin/akülerin evsel atıklarla birlikte bertaraf edilmesi yasaktır. Elektrikli cihazlar ve aküler ayrılarak biriktirilmeli ve çevreye zarar vermeden bertaraf edilmeleri için bir atık değerlendirme tesisine götürülmelidirler. Yerel makamlara veya satıcınıza geri dönüşüm tesisleri ve atık toplama merkezlerinin yerlerini danışınız.
	Rölanti Voltaj
	Doğru akım
	Avrupa uyumluluk işareti
	Britanya Uygunluk işareti
	Ukrayna uyumluluk işareti
	Avrasya uyumluluk işareti

	M18 FH	M18 FHX
Typ	Aku vrtací kladiva	Aku vrtací kladiva
Výrobní číslo	4831 62 01 XXXXXX MJJJJ	4831 72 01 XXXXXX MJJJJ
Napětí výměnného akumulátoru	18 V ---	18 V ---
Jednorázová energie	2,5 J	2,5 J
Volnoběžné otáčky	0-1330 min <sup>-1</sup>	0-1330 min <sup>-1</sup>
Počet úderů	0-4800 min <sup>-1</sup>	0-4800 min <sup>-1</sup>
Ø upínacího krčku	46 mm	46 mm
Vrtací Ø v betonu	26 mm	26 mm
Vrtací Ø v oceli	13 mm	13 mm
Vrtací Ø v dřevě	28 mm	28 mm
Lehké vrtací korunky do cihel a pískovce	65 mm	65 mm
Hmotnost podle prováděcího předpisu EPTA 01/2014 ((2,0 Ah ... 12,0 Ah))	3,4 kg ... 4,4 kg	3,6 kg ... 4,6 kg
Doporučená okolní teplota při práci	-18...+50 °C	
Doporučené typy akumulátorů	M18B...; M18HB...	
Doporučené nabíječky	M12-18...; M1418C6	
<b>Informace o hluku:</b>		
Naměřené hodnoty odpovídají EN 60745.		
V třídě A posuzovaná hladina hluku přístroje činí typicky:		
Hladina akustického tlaku / Kolísavost K	92,6 dB(A) / 3 dB(A)	92,6 dB(A) / 3 dB(A)
Hladina akustického výkonu / Kolísavost K	103,6 dB(A) / 3 dB(A)	103,6 dB(A) / 3 dB(A)
<b>Používejte chrániče sluchu.</b>		
<b>Informace o vibracích:</b> Celkové hodnoty vibrací (vektorový součet tří směrů) zjištěné ve smyslu EN 60745.		
Hodnota vibračních emisí a <sub>n</sub> / Kolísavost K		
Vrtání v betonu (a <sub>h,HD</sub> )	12,9 m/s <sup>2</sup> / 1,5 m/s <sup>2</sup>	12,9 m/s <sup>2</sup> / 1,5 m/s <sup>2</sup>
Sekání (a <sub>h,Cheq</sub> )	14,2 m/s <sup>2</sup> / 1,5 m/s <sup>2</sup>	14,2 m/s <sup>2</sup> / 1,5 m/s <sup>2</sup>

**VAROVÁNÍ!**

Hladina vibrací a emisí hluku uvedená v tomto informačním listu byla měřena v souladu se standardizovanou zkouškou uvedenou v normě EN 60745 a může být použita ke srovnání jednoho nástroje s jiným. Může být použita k předběžnému posouzení expozice.

Deklarovaná úroveň vibrací a emisí hluku představuje hlavní použití nástroje. Pokud se však nástroj používá pro různé aplikace, s různým příslušenstvím nebo s nedostatečnou údržbou, mohou se vibrace a emise hluku lišit. To může výrazně zvýšit úroveň expozice v průběhu celé pracovní doby.

Odhad úrovně expozice vibracím a hluku by měl také vzít v úvahu dobu, kdy je nástroj vypnutý nebo když běží, ale ve skutečnosti neprovádí úlohu. To může výrazně snížit úroveň expozice v průběhu celé pracovní doby.

Identifikujte dodatečná bezpečnostní opatření k ochraně pracovníka obsluhy před účinky vibrací a/nebo hluku, například: údržba nástroje a příslušenství, udržování rukou v teple, organizace pracovních schémat.

**UPOZORNĚNÍ! Přečtěte si všechny bezpečnostní pokyny a návody.** Zanedbání při dodržování varovných upozornění a pokynů mohou mít za následek úder elektrickým proudem, požár a/nebo těžká poranění.  
**Všechna varovná upozornění a pokyny do budoucna uschovejte.**

**BEZPEČNOSTNÍ POKYNY PRO VRTACÍ KLAĐIVA**

**Používejte chrániče sluchu.** Působením hluku může dojít k poškození sluchu.

**Používejte doplňková madla dodávaná s přístrojem.** Nedostatečným držením by mohlo dojít ke zranění.

**Při provádění prací, při kterých nástroj může narazit na skryté elektrické vedení, držte přístroj za izolované přidržovací plošky.** Kontakt režného nástroje s vedením pod napětím může vést k přenosu napětí na kovové části přístroje a k úraze elektrickým proudem.

**DALŠÍ BEZPEČNOSTNÍ A PRACOVNÍ POKYNY**

Použijte ochranné vybavení. Při práci s elektrickým nářadím používejte vždy ochranné brýle. Doporučujeme rovněž použití součástí ochranného oděvu a ochranné obuvi, jako protiprašné masky, ochranných rukavic, pevné a neklouzající obuvi, ochranné přílby a ochrany sluchu.

Prach vznikající při práci s tímto nářadím může být zdraví škodlivý. Proto by neměl přijít do styku s tělem. Používejte při práci vhodnou ochranu masku.

Nesmějí se opracovávat materiály, které mohou způsobit ohrožení zdraví (např. azbest)

Přiablokování nasazeného nástroje přístroj okamžitě vypněte! Přístroj nezapínejte, pokud je nasazený nástroj zablokovaný; mohl by při tom vzniknout zpětný náraz s vysokým reakčním momentem. Zjistěte příčinu zablokování nasazeného nástroje a odstraňte ji při dodržení bezpečnostních pokynů.

Možnými příčinami mohou být:

- vzpříčení v opracovávaném obrobku
- přelomení opracovávaného materiálu
- přetížení elektrického přístroje

Nezasahujte do běžícího stroje.

Nasazený nástroj se může během používání rozpálit.

**VAROVÁNÍ!** Nebezpečí popálení.

- při výměně nástroje
- při odkládání přístroje

Pokud stroj běží, nesmí být odstraňovány třísky nebo odštěpky.

Při vrtání do zdi, stropu nebo podlahy dávat pozor na elektrické kabely, plynová a vodovodní potrubí.

Obrobek zabezpečte upínacím zařízením. Nezabezpečené obrobky mohou způsobit těžká poranění a poškození.

Před zahájením veškerých prací na vrtacím šroubováku vyjmout výměnný akumulátor.



Použití nevyhazujte do domovního odpadu nebo do ohně. Milwaukee nabízí ekologickou likvidaci starých článků, ptejte se u vašeho obchodníka s nářadím.

Náhradní akumulátor neskladujte s kovovými předměty, nebezpečí zkratu.

Akumulátor systému M18 nabíjejte pouze nabíječkou systému M18. Nenabíjejte akumulátory jiných systémů.

Náhradní akumulátory ani nabíječku neotvírejte, skladujte je v suchu, chráňte před vlhkem.

Při extrémní zátěži či vysoké teplotě může z akumulátoru vytékat kapalina. Při zasažení touto kapalinou okamžitě zasažená místa omyjte vodou a mýdlem. Při zasažení očí okamžitě důkladně po dobu alespoň 10min. omývat a neodkladně vyhledat lékaře.

**Varování!** Abyste zabránili nebezpečí požáru způsobeného zkratem, poraněním nebo poškozením výrobku, neporušujte nářadí, výměnnou baterii nebo nabíječku do kapalin a zajistěte, aby do zařízení a akumulátorů nevnikly žádné tekutiny. Korodující nebo vodivé kapaliny, jako je slaná voda, určité chemikálie a bělicí prostředky nebo výrobky, které obsahují bělidlo, mohou způsobit zkrat.

## OBLAST VYUŽITÍ

Akumulátorový vrtací kladivo je univerzálně použitelné k vrtání s přiklepem do kamene a k vrtání do dřeva, kovu a plastu.

Toto zařízení lze používat jen pro uvedený účel.

## ZBYTKOVÁ RIZIKA

Ani při řádném používání není možné vyloučit všechna zbývající rizika. Při používání mohou vzniknout níže uvedená rizika, na která by měla obsluha dávat zvlášť pozor:

- Poranění způsobená vibrací.  
Přístroj držte pouze za určená držadla a omezte čas práce a expozice.
- Zatížení hlukem může vést k poškození sluchu.  
Noste ochranu sluchu a omezte dobu expozice.
- Poranění očí způsobená částicemi nečistot.  
Noste vždy ochranné brýle, pevné dlouhé kalhoty, rukavice a pevnou obuv.
- Vdechnutí jedovatých druhů prachu.

## UPOZORNĚNÍ NA LITHIUM-IONTOVÉ BATERIE

### Použití lithium-iontových baterií

Déle nepoužívané akumulátory je nutné před použitím znovu nabít.

Teplota přes 50°C snižuje výkon akumulátoru. Chraňte před dlouhým přehříváním na slunci či u topení.

Připojovací kontakty nabíječky a akumulátoru udržujte v čistotě.

Pro optimální životnost je nutné akumulátory po použití plně dobít.

K zabezpečení dlouhé životnosti by se akumulátory měly po nabití vyjmout z nabíječky.

Při skladování akumulátoru po dobu delší než 30 dní: Skladujte akumulátor v suchu při cca 27°C. Skladujte akumulátor při cca 30%-50% nabíjecí kapacity. Opakujte nabíjení akumulátoru každých 6 měsíců.

### Ochrana proti přetížení u lithium-iontových baterií

Při přetížení akumulátoru příliš vysokou spotřebou proudu, například při extrémně vysokém kroutícím momentu, při zaseknutí vrtáku, náhlém zastavení nebo zkratu, začne elektrické nářadí po dobu 5 sekund vibrovat, indikátor dobíjení začne blikat a motor se následně samočinně vypne.

K opětovnému zapnutí uvolněte a následně opět stiskněte tlačítkový vypínač.

Při extrémním zatížení dochází k příliš vysokému ohřevu akumulátoru. V tomto případě začnou blikat všechny kontrolky indikátoru dobíjení a blikají tak dlouho, dokud se akumulátor opět neochladí.

V okamžiku, kdy indikátor dobíjení přestane blikat, je možné v práci

opět pokračovat.

### Přeprava lithium-iontových baterií

Lithium-iontové baterie spadají podle zákonných ustanovení pod přepravu nebezpečného nákladu.

Přeprava těchto baterií se musí realizovat s dodržováním lokálních, vnitrostátních a mezinárodních předpisů a ustanovení.

- Spotřebitelé mohou tyto baterie bez problémů přepravovat po komunikacích.
- Komerční přeprava lithium-iontových baterií prostřednictvím přepravních firem podléhá ustanovením o přepravě nebezpečného nákladu. Přípravu k vyexpedování a samotnou přepravu směji vykonávat jen příslušně vyškolené osoby. Na celý proces se musí odborně dohlížet.

Při přepravě baterií je třeba dodržovat následující:

- Zajistěte, aby kontakty byly chráněné a izolované, aby se zamezilo zkratům.
- Dávejte pozor na to, aby se svazek baterií v rámci balení nemohl sesmeknout.
- Poškozené a vyteklé baterie se nesmějí přepravovat.

Ohledně dalších informací se obraťte na vaši přepravní firmu.

## PRACOVNÍ POKYNY

Při vrtání nebo práci s vrtacím kladivem nevyvíjejte příliš velkou sílu. Nechte vrtací kladivo udělat práci za vás.

## AUTOMATICKÉ ZASTAVENÍ

**AUTO STOP** Funkce KickBack AUTOSTOP™ rozpozná zaseknutí vrtáku. Kontrolka začne blikat a elektronika vypne vrtací kladivo. Kvůli opětovnému zapnutí pusťte spínač tlačítko a následně jej opět stiskněte.

## PRÁCE V CHLADU

Když je nářadí uskladněno delší dobu nebo je uskladněno při nízkých teplotách, mazivo může ztuhnout a může se stát, že nářadí zpočátku nechce fungovat nebo jeho výkon je příliš nízký. Když se to stane:

1. Na nářadí nasadte vrták nebo sekáč.
2. Nářadí přiložte ke zbytkovému kusu betonu.
3. Vždy na několik sekund stiskněte tlačítko spínače a následně jej znovu pusťte.

Po 15 sekundách až 2 minutách začne nářadí normálně fungovat. Čím je nářadí studenější, tím déle trvá jeho zahřátí.

## ČIŠTĚNÍ

Větrací štěrbinu nářadí udržujeme stále čisté.

## ÚDRŽBA

Při obroušení uhlíků je nutná jejich výměna v odborném servisu. Zaručuje to i prodloužení životnosti stroje a jeho spolehlivost v provozu.

Používat výhradně příslušenství Milwaukee a náhradní díly Milwaukee. Díly jejichž výměna nebyla popsána, nechte vyměnit v autorizovaném servisu (viz: "Záruky / Seznam servisních míst")

V případě potřeby si můžete v servisním centru pro zákazníky nebo přímo od firmy Techtronic Industries GmbH, Max-Eyth-Straße 10, 71364 Winnenden, Německo vyžádat schematický náčrt jednotlivých dílů přístroje, když uvedete typ přístroje a šestimístné číslo na výkonovém štítku.

## SYMBOLY

	Před spuštěním stroje si pečlivě přečtěte návod k používání.
	POZOR! VAROVÁNÍ! NEBEZPEČÍ!
	Před zahájením veškerých prací na vrtacím šroubováku vyjmout výměnný akumulátor.
	Při práci se strojem neustále nosit ochranné brýle.
	Používejte chrániče sluchu !
	Používejte při práci vhodnou ochranu masku.
	Používejte ochranné rukavice!
	Antivibrační systém redukuje vibrace stroje na rukojeti.
	Příslušenství není součástí dodávky, viz program příslušenství.
	Elektrická zařízení, baterie/akumulátory se nesmí likvidovat společně s odpadem z domácností. Elektrická zařízení, baterie/akumulátory je třeba sbírat odděleně a odevzdat je v recyklačním podniku na ekologickou likvidaci. Na místních úřadech nebo u vašeho specializovaného prodejce se informujte na recyklační podniky a sběrné dvory.
	Otáčky při chodu naprázdno
	Napětí
	Stejnoseměrný proud
	Značka shody v Evropě
	Britská značka shody
	Značka shody na Ukrajině
	Značka shody pro oblast Eurasie

TECHNICKÉ ÚDAJE	M18 FH	M18 FHX
Typ	Akumulátorové vrtacie kladivo	Akumulátorové vrtacie kladivo
Výrobné číslo	4831 62 01 XXXXXX MJJJJ	4831 72 01 XXXXXX MJJJJ
Napätie výmenného akumulátora	18 V ---	18 V ---
Energia jedného úderu	2,5 J	2,5 J
Otáčky naprázdno	0-1330 min <sup>-1</sup>	0-1330 min <sup>-1</sup>
Počet úderov pri záťaži	0-4800 min <sup>-1</sup>	0-4800 min <sup>-1</sup>
Priemer upínacieho hrdla	46 mm	46 mm
Priemer vrtu do betónu	26 mm	26 mm
Priemer vrtu do ocele	13 mm	13 mm
Priemer vrtu do dreva	28 mm	28 mm
Vrtacia korunka na ľahké vrtanie do tehly a vápencového pieskovca	65 mm	65 mm
Hmotnosť podľa vykonávacieho predpisu EPTA 01/2014 ((2,0 Ah ... 12,0 Ah))	3,4 kg ... 4,4 kg	3,6 kg ... 4,6 kg
Odporúčaná okolitá teplota pri práci	-18...+50 °C	
Odporúčané typy akupaku	M18B...; M18HB...	
Odporúčané nabíjačky	M12-18...; M1418C6	

**Informácia o hluku:** Namerané hodnoty určené v súlade s EN 60745.

V triede A posudzovaná hladina hluku prístroja činí typicky:

Hladina akustického tlaku / Kolísavosť K	92,6 dB(A) / 3 dB(A)	92,6 dB(A) / 3 dB(A)
Hladina akustického výkonu / Kolísavosť K	103,6 dB(A) / 3 dB(A)	103,6 dB(A) / 3 dB(A)

**Používajte ochranu sluchu.**

**Informácie o vibráciách:** Celkové hodnoty vibrácií (vektorový súčet troch smerov) zistené v zmysle EN 60745.

Hodnota vibračných emisií a<sub>p</sub> / Kolísavosť K

Vítanie do betónu (a <sub>h,HD</sub> )	12,9 m/s <sup>2</sup> / 1,5 m/s <sup>2</sup>	12,9 m/s <sup>2</sup> / 1,5 m/s <sup>2</sup>
Osekávanie (a <sub>h,Ched</sub> )	14,2 m/s <sup>2</sup> / 1,5 m/s <sup>2</sup>	14,2 m/s <sup>2</sup> / 1,5 m/s <sup>2</sup>

## ⚠ POZOR!

Úroveň vibrácií a emisií hluku uvedená v tomto informačnom liste bola meraná v súlade so štandardizovanou skúškou uvedenou v EN 60745 a môže sa použiť na porovnanie jedného nástroja s druhým. Môže sa použiť v predbežnom posúdení expozície.

Deklarovaná úroveň vibrácií a emisií hluku predstavuje hlavné aplikácie nástroja. Ak sa však nástroj používa pre rôzne aplikácie, s rôznym príslušenstvom alebo s nedostatočnou údržbou, môžu sa vibrácie a emisie hluku líšiť. To môže výrazne zvýšiť úroveň expozície počas celej pracovnej doby.

Odhad úrovne expozície vibráciám a hluku by mal tiež brať do úvahy čas, keď je nástroj vypnutý alebo keď beží, ale v skutočnosti nevykonáva prácu. To môže výrazne znížiť úroveň expozície počas celej pracovnej doby.

Identifikujte dodatočné bezpečnostné opatrenia na ochranu pracovníka obsluhy pred účinkami vibrácií a/alebo hluku, ako je: údržba nástroja a príslušenstva, udržanie teplých rúk, organizácia pracovných schém.

## ⚠ UPOZORNENIE! Prečítajte si všetky bezpečnostné pokyny a návody.

Zanedbanie dodržiavania Výstražných upozornení a pokynov uvedených v nasledujúcom texte môže mať za následok zásah elektrickým prúdom, spôsobiť požiar a/alebo ťažké poranenie.

**Tieto Výstražné upozornenia a bezpečnostné pokyny starostlivo uschovajte na budúce použitie.**

### BEZPEČNOSTNÉ POKYNY PRE VRTACIE KLAĐIVO

**Používajte ochranu sluchu.** Pôsobenie hluku môže spôsobiť stratu sluchu.

**Používajte prídavné rukoväte dodané spolu s prístrojom.** Strata kontroly nad strojom môže viesť k zraneniu.

**Pri realizovaní prác, pri ktorých nástroj môže naraziť na skryté elektrické vedenia, držte prístroj za izolované pridrôzovacie plošky.**

**Kontakt rezného nástroja s vedením pod napätím môže viesť k prenosu napätia na kovové časti prístroja a k úrazu elektrickým prúdom.**

### ĎALŠIE BEZPEČNOSTNÉ A PRACOVNÉ POKYNY

Použite ochranné vybavenie. Pri práci s elektrickým náradím používajte vždy ochranné okuliare. Doporučujeme taktiež použitie súčastí ochranného odevu a ochranné obuvi, ako sú protiprašná maska, ochranné rukavice, pevná a nekľzajúca obuv, ochranná

prilba a ochrana sluchu.

Prach vznikajúci pri práci môže byť škodlivý zdraviu. Pri práci nosiť vhodnú ochrannú masku, aby sa nedostal do ľudského organizmu.

Nesmú sa opracovávať materiály, ktoré môžu spôsobiť ohrozenie zdravia (napr. azbest)

Pri zablokovaní nasadeného nástroja prístroj okamžite vypnite! Prístroj nezapínajte, pokiaľ je nasadený nástroj zablokovaný; mohol by pri tom vzniknúť spätný náraz s vysokým reakčným momentom. Príčinu zablokovania nasadeného nástroja zistíte a odstránite so zohľadnením bezpečnostných pokynov.

Možnými príčinami môžu byť:

- spriečenie v opracovávanom obrodku
- prelomenie opracovávaného materiálu
- preťaženie elektrického prístroja

Nezasahujte do bežiaceho stroja.

Nasadený nástroj sa počas používania môže rozhorčiť.

**POZOR!** Nebezpečenstvo popálenia

- pri výmene nástroja
- pri odkladaní prístroja

Triesky alebo úlomky sa nesmú odstraňovať za chodu stroja.

Pri práci v stene, strope alebo v podlahe dávajte pozor na elektrické káble, plynové a vodovodné potrubia.

Obrobok zabezpečte upínacím zariadením. Nezabezpečené obrobky môžu spôsobiť ťažké poranenia a poškodenia.

Pred každou prácou na stroji výmenný akumulátor vytiahnuť.

Opotrebované výmenné akumulátory nezahadzujte do ohňa alebo medzi domový odpad. Milwaukee ponúka likvidáciu starých výmenných akumulátorov, ktorá je v súlade s ochranou životného prostredia; informujte sa u Vášho predajcu.

Výmenné akumulátory neskladovať spolu s kovovými predmetmi (nebezpečenstvo skratu).

Výmenné akumulátory systému M18 nabíjať len nabíjacími zariadeniami systému M18. Akumulátory iných systémov týmto zariadením nenabíjať.

Výmenné akumulátory a nabíjacie zariadenia neatvárať a skladovať len v suchých priestoroch. Chrániť pred vlhkosťou.

Pri extrémnych záťažach alebo extrémnych teplotách môže dôjsť k vytekaniu batérovej tekutiny z poškodeného výmenného akumulátora. Ak dôjde ku kontaktu pokožky s roztokom, postihnuté miesto umyť vodou a mydlom. Ak sa roztok dostane do očí, okamžite ich dôkladne vypláchnuť po dobu min. 10 min a bezodkladne vyhľadať lekára.

**Varovanie!** Aby ste zabránili nebezpečenstvu požiaru spôsobeného skratom, poraneniam alebo poškodeniam výrobku, neponárajte náradie, výmenný batériu alebo nabíjačku do kvapalín a postarajte sa o to, aby do zariadení a akumulátorov nevnikli žiadne tekutiny. Korodujúce alebo vodivé kvapaliny, ako je slaná voda, určité chemikálie a bieliace prostriedky alebo výrobky, ktoré obsahujú bieliadlo, môžu spôsobiť skrat.

### POUŽITIE PODĽA PREDPISOV

AKU-vrtacie kladivo je univerzálne použiteľné na sekanie do kameňa a na vrtanie do dreva, kovu a plastu nezávisle od sieťovej kábelky.

Tento prístroj sa smie používať len v súlade s uvedenými predpismi.

### ZVÝŠKOVÉ RIZIKÁ

Aj pri riadnom používaní nie je možné vylúčiť všetky zvyškové riziká. Pri používaní môžu vzniknúť nasledovné nebezpečenstvá, na ktoré by mala obsluha dávať zvlášť pozor:

- Poranenia spôsobené vibráciou. Prístroj držte iba za určené držadlá a obmedzte čas práce a expozície.
- Zaťaženie hlukom môže viesť k poškodeniam sluchu. Noste ochranu sluchu a obmedzte dobu expozície.
- Poranenia očí spôsobené čiastočkami nečistôt. Noste vždy ochranné okuliare, pevné dlhé nohavice, rukavice a pevnú obuv.
- Vdýchnutie jedovatých druhov prachu.

### UPOZORNENIE NA LÍTIUM-IÓNOVÉ BATÉRIE

#### Použitie lítium-iónových batérií

Dlhší čas nepoužívané akumulátory pred použitím nabiť.

Teplota vyššia ako 50°C znižuje výkon akumulátora. Zabraňte dlhšiemu ohriatiu slinkom alebo kúrením.

Pripájacie kontakty na nabíjacom zariadení a akumulátore udržiajte čisté.

Pre optimálnu životnosť je nutné akumulátory po použití plne dobiť. K zabezpečeniu dlhej životnosti by sa akumulátory mali po nabití vybrať z nabíjačky.

Pri skladovaní akumulátora po dobu dlhšiu než 30 dní:

Skladujte akumulátor v suchu pri cca 27°C.

Skladujte akumulátor pri cca 30%-50% nabíjacej kapacity.

Opakujte nabíjanie akumulátora každých 6 mesiacov.

#### Ochrana proti preťaženiu pri lítium-iónových batériách

Pri preťažení akumulátora príliš vysokou spotrebou prúdu, napríklad pri extrémne vysokom krútiacom momente, pri zaseknutí vrtáka, náhлом zastavení alebo skrate, začne elektrické náradie po dobu 5 sekúnd vibrovať, indikátor dobíjania začne blikať a motor sa následne samočinne vypne.

K opätovnému zapnutiu uvoľnite a následne opäť stlačte tlačidlový

vypínač.

Pri extrémnom zaťažení dochádza k príliš vysokému ohrevu akumulátora. V tomto prípade začnú blikať všetky kontroly indikátora dobíjania a blikajú tak dlho, dokiaľ sa akumulátor opäť neochladí.

V okamihu, keď indikátor dobíjania prestane blikať, je možné v práci opäť pokračovať.

#### Prepara lítium-iónových batérií

Lítiovo-iónové batérie podľa zákonných ustanovení spadajú pod prepravu nebezpečného nákladu.

Prepara týchto batérií sa musí realizovať s dodržiavaním lokálnych, vnútroštátnych a medzinárodných predpisov a ustanovení.

- Spotrebiteľia môžu tieto batérie bez problémov prepravovať po cestách.
- Komerčná preprava lítiovo-iónových batérií prostredníctvom špedičných firiem podlieha ustanoveniam o preprave nebezpečného nákladu. Prípravu k vyxpedovaniu a samotnú prepravu smú vykonávať iba adekvátne vyškolené osoby. Na celý proces sa musí odborné dohliadať.

Pri preprave batérií treba dodržiavať nasledovné:


- Zabezpečte, aby boli kontakty chránené a izolované, aby sa zamedzilo skratom.
- Dávajte pozor na to, aby sa zvázok batérií v rámci balenia nemohol zošmyknúť.
- Poškodené a vytečené batérie sa nesmú prepravovať.

Kvôli ďalším informáciám sa obráťte na vašu špedičnú firmu.

### PRACOVNÉ POKYNY

Pri vrtaní alebo práci s vrtacím kladivom nevyvíjajte príliš veľkú silu. Nechajte vrtacie kladivo urobiť prácu za vás.

### AUTOMATICKÉ ZASTAVENIE

 Funkcia KickBack AUTOSTOP™ rozpozná zaseknutie vrtáka. Kontrolka začne blikať a elektronika vypne vrtacie kladivo. Kvôli opätovnému zapnutiu pusťte spínacie tlačidlo a následne ho opäť stlačte.

### PRÁCA V CHLADE

Keď je náradie uskladnené dlhší čas alebo je uskladnené pri nízkych teplotách, mazivo môže stuhnúť a môže sa stať, že náradie na začiatku nechce fungovať alebo jeho výkon je príliš nízký. Keď sa to stane:

1. Na náradie nasadíte vrták alebo sekáč.
2. Náradie priložite k zvyšnému kusu betónu.
3. Vždy na niekoľko sekúnd stlačte tlačidlo spínača a následne ho znovu pustite.

Po 15 sekundách až 2 minútach začne náradie normálne fungovať. Čím je náradie studensšie, tým dlhšie trvá, kým sa zohreje.

### ČISTENIE

Vetracie otvory udržiavať stále v čistote.

### ÚDRZBA

Pri opotrebovaných uhlíkových keľach by sa mala vykonať okrem výmeny uhlíkových keľ v zákazníckom centre aj prehliadka prístroja. Toto predlžuje životnosť prístroja a zaručuje stálu funkčnosť!

Používať len Milwaukee príslušenstvo a Milwaukee náhradné diely. Súčiastky bez návodu na výmenu treba dať vymeniť v jednom z Milwaukee zákazníckych centier (viď brožúru Záruka/Adresy zákazníckych centier).

V prípade potreby si môžete v servisnom centre pre zákazníkov alebo priamo od firmy Techtronic Industries GmbH,

Max-Eyth-Straße 10, 71364 Winnenden, Nemecko, vyžiadať schematický náčrt jednotlivých dielov prístroja pri uvedení typu prístroja a šesťmiestneho čísla na výkonovom štítku.

## SYMBOLY

	Pred prvým použitím prístroja si pozorne prečítajte návod na obsluhu.
	POZOR! NEBEZPEČENSTVO!
	Pred každou prácou na stroji výmenný akumulátor vytiahnuť.
	Pri práci so strojom vždy noste ochranné okuliare.
	Používajte ochranu sluchu!
	Pri práci nosiť vhodnú ochrannú masku, aby sa nedostal do ľudského organizmu.
	Používajte ochranné rukavice!
	Antivibračný systém redukuje vibrácie stroja na rukoväti. Príslušenstvo - nie je súčasťou štandardnej výbavy, odporúčané doplnenie z programu príslušenstva.
	Elektrické zariadenia, batérie/akumulátory sa nesmú likvidovať spolu s odpadom z domácnosti. Elektrické zariadenia, batérie/akumulátory treba zbierať oddelene a odovzdať ich v recyklačnom podniku na ekologickú likvidáciu. Na miestnych úradoch alebo u vášho špecializovaného predajcu sa pýtajte na recyklačné podniky a zberné dvory.
	Otáčky pri chode naprázdno
	Napätie
	Jednosmerný prúd
	Značka zhody v Európe
	Britská značka zhody
	Značka zhody na Ukrajine
	Značka zhody pre oblasť Eurázie

DANE TECHNICZNE	M18 FH	M18 FHX
Typ	Młotkowiertarka akumulatorowa	Młotkowiertarka akumulatorowa
Numer produkcyjny	4831 62 01 XXXXXX MJJJJ	4831 72 01 XXXXXX MJJJJ
Napięcie baterii akumulatorowej	18 V ---	18 V ---
Energia pojedynczego uderu	2,5 J	2,5 J
Prędkość bez obciążenia	0-1330 min <sup>-1</sup>	0-1330 min <sup>-1</sup>
Częstotliwość uderu przy obciążeniu	0-4800 min <sup>-1</sup>	0-4800 min <sup>-1</sup>
Średnica szyjki uchwyty	46 mm	46 mm
Zdolność wiercenia w betonie	26 mm	26 mm
Zdolność wiercenia w stali	13 mm	13 mm
Zdolność wiercenia w drewnie	28 mm	28 mm
Koronka wiertnicza lekka do cegieł i wapienia	65 mm	65 mm
Ciężar wg procedury EPTA 01/2014 ((2,0 Ah ... 12,0 Ah))	3,4 kg ... 4,4 kg	3,6 kg ... 4,6 kg
Zalecana temperatura otoczenia w trakcie pracy	-18...+50 °C	
Zalecane rodzaje akumulatora	M18B...; M18HB...	
Zalecane ładowarki	M12-18...; M1418C6	
<b>Informacja dotycząca szumów:</b> Zmierzone wartości wyznaczono zgodnie z normą EN 60745.		
Poziom szumów urządzenia oszacowany jako A wynosi typowo:		
Poziom ciśnienia akustycznego / Niepewność K	92,6 dB(A) / 3 dB(A)	92,6 dB(A) / 3 dB(A)
Poziom mocy akustycznej / Niepewność K	103,6 dB(A) / 3 dB(A)	103,6 dB(A) / 3 dB(A)
<b>Stosować środki ochrony słuchu!</b>		
<b>Informacje dotyczące wibracji:</b> Wartości łączne drgań (suma wektorowa trzech kierunków) wyznaczone zgodnie z normą EN 60745.		
Wartość emisji drgań a <sub>n</sub> / Niepewność K		
Wiercenie w betonie (a <sub>n,HD</sub> )	12,9 m/s <sup>2</sup> / 1,5 m/s <sup>2</sup>	12,9 m/s <sup>2</sup> / 1,5 m/s <sup>2</sup>
Łutowanie (a <sub>n,Chaq</sub> )	14,2 m/s <sup>2</sup> / 1,5 m/s <sup>2</sup>	14,2 m/s <sup>2</sup> / 1,5 m/s <sup>2</sup>

## ⚠ OSTRZEŻENIE!

Poziom drgań i emisji hałasu podany w niniejszej instrukcji zmierzono zgodnie ze standardową metodą badania wg EN 60745 i można ją wykorzystać do porównania narzędzia z innym narzędziem. Można go wykorzystać przy wstępnej ocenie narażenia.

Deklarowany poziom emisji drgań i hałasu reprezentuje główne zastosowania narzędzia. Jeśli jednak narzędzie jest używane do różnych zastosowań, z różnymi akcesoriami lub w przypadku nieprawidłowej konserwacji, emisja drgań i hałasu może się różnić. Może to znacznie zwiększyć poziom narażenia w całym okresie eksploatacji narzędzia.

Oszacowanie poziomu narażenia na wibracje i hałas powinno również uwzględnić czasy, kiedy narzędzie jest wyłączone lub kiedy jest włączone, ale nie pracuje. Może to znacznie obniżyć poziom ekspozycji w całym okresie eksploatacji narzędzia.

Należy zidentyfikować dodatkowe środki bezpieczeństwa w celu ochrony operatora przed skutkami wibracji i/lub hałasu, takie jak: utrzymywanie narzędzia i akcesoriów w nienagannym stanie, utrzymywanie ciepła rąk, organizacja pracy.

**⚠ OSTRZEŻENIE! Należy przeczytać wszystkie wskazówki dotyczące bezpieczeństwa i instrukcje.** Błędy w przestrzeganiu poniższych wskazówek mogą spowodować porażenie prądem, pożar i/lub ciężkie obrażenia ciała. **Należy starannie przechowywać wszystkie przepisy i wskazówki bezpieczeństwa dla dalszego zastosowania.**

## WSKAZÓWKI BEZPIECZEŃSTWA DLA MŁOTKOWIERTARKA

**Stosować środki ochrony słuchu!** Narażenie na hałas może spowodować utratę słuchu.

**Stosować uchwyty pomocnicze dostarczone z narzędziem.** Utrata kontroli może spowodować obrażenia.

**Trzymaj urządzenie za izolowane powierzchnie chwytne gdy wykonujesz roboty, w trakcie których narzędzie skrawające może natrafić na ukryte przewody prądowe.** Styczność narzędzia skrawającego z będącym pod napięciem przewodem może spowodować podłączenie części metalowych urządzenia do napięcia i prowadzić do porażenia prądem elektrycznym.

## DODATKOWE WSKAZÓWKI BEZPIECZEŃSTWA I INSTRUKCJE ROBOCZE

Stosować wyposażenie ochronne. Przy pracy maszyną zawsze nosić okulary ochronne. Zalecana jest odzież ochronna, jak maska pyłochronna, rękawice ochronne, mocne i chroniące przed

poślizgiem obuwie, kask i ochronnik słuchu.

Kurz powstający przy pracy z tym elektronarzędziem może być szkodliwy dla zdrowia. w związku z tym nie powinien dotrzeć do ciała. Nosić odpowiednią maskę przeciwpyłową.

Nie wolno obrabiać materiałów, które mogą być przyczyną zagrożenia zdrowia (na przykład azbestu).

W przypadku zablokowania narzędzia nasazanego należy natychmiast wyłączyć urządzenie! Nie należy ponownie włączyć urządzenia tak długo, jak długo narzędzie nasadzone jest zablokowane; przy tym mogłyby powstać odrzut zwrotny o dużym momencie reakcyjnym. Należy wykryć i usunąć przyczynę zablokowania narzędzia nasazanego uwzględniając wskazówki dotyczące bezpieczeństwa.

Możliwymi przyczynami tego mogą być:

- Skośne ustawienie się w poddawany obróbce przedmiocie obrabianym
- Przerwanie materiału poddawanego obróbce
- Przeciążenie narzędzia elektrycznego

Nie należy sięgać do wnętrza maszyny będącej w ruchu.

Narzędzie nasadzone może w trakcie użytkowania stać się gorące.

**OSTRZEŻENIE!** Niebezpieczeństwo oparzenia się

- przy wymianie narzędzia
- przy odstawianiu urządzenia

Podczas pracy elektronarzędzia nie wolno usuwać trocin ani drzazg.

Podczas pracy przy ścianach, sufitach i podłodze należy uważać na kable elektryczne, przewody gazowe i wodociągowe.

Należy zabezpieczyć przedmiot poddawany obróbce za pomocą urządzenia mocującego. Niezabezpieczone przedmioty poddawane obróbce mogą spowodować ciężkie obrażenia ciała i uszkodzenia.

Przed przystąpieniem do jakichkolwiek prac na elektronarzędziu należy wyjąć wkładkę akumulatorową.

Zużytych akumulatorów nie wolno wrzucać do ognia ani traktować jako odpadów domowych. Milwaukee oferuje ekologiczną utylizację zużytych akumulatorów.

Nie przechowywać akumulatorów wraz z przedmiotami metalowymi (niebezpieczeństwo zwarcia).

Akumulatory Systemu M18 należy ładować wyłącznie przy pomocy ładowarek Systemu M18. Nie ładować przy pomocy tych ładowarek akumulatorów innych systemów.

Nie otwierać wkładek akumulatorowych i ładowarek. Przechowywać w suchych pomieszczeniach. Chronić przed wilgocią.

W skrajnych warunkach temperaturowych lub przy bardzo dużym obciążeniu może dochodzić do wycieku kwasu akumulatorowego z uszkodzonych baterii akumulatorowych. W przypadku kontaktu z kwasem akumulatorowym należy natychmiast przemyć miejsce kontaktu wodą z mydłem. W przypadku kontaktu z oczami należy dokładnie przepłukiwać oczy przynajmniej przez 10 minut i zwrócić się natychmiast o pomoc medyczną.

**Ostrzeżenie!** Aby uniknąć niebezpieczeństwa pożaru, obrażeń lub uszkodzeń produktu na skutek zwarcia, nie wolno zanurzać narzędzia, akumulatora wymiennego ani ładowarki w cieczach i należy zatroszczyć się o to, aby do urządzeń i akumulatorów nie dostały się żadne ciecze. Zwarcie spowodować mogą korodujące lub przewodzące ciecze, takie jak woda morską, określone chemikalia i wybielacze lub produkty zawierające wybielacze.

## WARUNKI UŻYTKOWANIA

Obrótowy młot pneumatyczny nadaje się do wiercenia udarowego i wiercenia w drewnie, metalu i tworzywach sztucznych.

Produkt można użytkować wyłącznie zgodnie z jego normalnym przeznaczeniem.

## RYZYKA RESZTKOWE

Nawet przy prawidłowym użytkowaniu nie można wykluczyć wszystkich ryzyk rezydualnych. W trakcie użytkowania mogą powstawać poniższe zagrożenia, nawet w przypadku zachowania przez operatora najwyższej troski:

- Obrażenia spowodowane przez wibracje. Urządzenie należy trzymać za przeznaczony w tym celu uchwyt i ograniczać czas pracy i czas ekspozycji.
- Uciążliwość akustyczna może prowadzić do uszkodzeń słuchu. Należy mieć na sobie nauszники i ograniczać czas trwania ekspozycji.
- Obrażenia oczu spowodowane przez cząstki brudu. Należy zawsze mieć na sobie okulary ochronne, solidne długie spodnie, rękawice i solidne buty robocze.
- Wdychanie toksycznego pyłu.

## WSKAZÓWKI DLA AKUMULATORÓW LITOWO-JONOWYCH

### Użytkowanie akumulatorów litowo-jonowych

Akumulatory, które nie były przez dłuższy czas używane, należy przed użyciem naładować.

W temperaturze powyżej 50°C następuje spadek osiągniętych akumulatorowej. Uniknąć długotrwałego wystawienia na oddziaływanie ciepła lub promieni słonecznych (niebezpieczeństwo przegrzania).

Należy utrzymywać w czystości styki przyłączeniowe przy ładowarce i akumulatorze.

Dla zapewnienia optymalnej żywotności akumulatory po użyciu należy naładować do pełnej pojemności.

Aby zapewnić jak najdłuższą żywotność akumulatorów, po zakończeniu ładowania należy odłączyć je od ładowarki.

W przypadku składowania akumulatorów dłużej aniżeli 30 dni: Przechowywać je w suchym miejscu w temperaturze ok. 27°C. Przechowywać je w stanie naładowanym do ok. 30% - 50%. Ładować je ponownie co 6 miesięcy.

### Ochrona przeciwprzeciążeniowa w akumulatorach litowo-jonowych

W przypadku przeciążenia akumulatora przez bardzo duży pobór prądu, na przykład wskutek ekstremalnie dużych momentów obrotowych, zakleszczenia wiertła, nagłego stopu lub zwarcia, narzędzie ręczne z napędem elektrycznym wibruje przez 5 sekund, miga wskaźnik ładowania i narzędzie samoczynnie wyłącza się. W celu ponownego włączenia narzędzia należy zwolnić przycisk przełączający, a następnie ponownie go włączyć. Przy ekstremalnych obciążeniach akumulator nagrzewa się za mocno. W takim przypadku wszystkie lampki wskaźnika ładowania migają tak długo, aż akumulator ochłodzi się. Po zgasnięciu wskaźnika ładowania można kontynuować pracę.

### Transport akumulatorów litowo-jonowych

Akumulatory litowo-jonowe podlegają ustawowym przepisom dotyczącym transportu towarów niebezpiecznych.

Transport tych akumulatorów winien odbywać się przy przestrzeganiu lokalnych, krajowych i międzynarodowych rozporządzeń i przepisów.

- Odbiorcom nie wolno transportować tych akumulatorów po drogach ot tak po prostu.
- Komercyjny transport akumulatorów litowo-jonowych przez przedsiębiorstwa spedycyjne podlega przepisom dotyczącym transportu towarów niebezpiecznych. Przygotowania do wysyłki oraz transport mogą być wykonywane wyłącznie przez odpowiednio przeszkolone osoby. Cały proces winien odbywać się pod fachowym nadzorem.

W czasie transportu akumulatorów należy przestrzegać następujących punktów:

- Celem uniknięcia zwań należy upewnić się, że zestyki są zabezpieczone i zaizolowane.
- Zwracać uwagę na to, aby zespół akumulatorów nie mógł się przemieszczać we wnętrzu opakowania.
- Nie wolno transportować akumulatorów uszkodzonych lub z wyciekającym z elektrolitem.

Odnosnie dalszych wskazówek należy zwrócić się do swojego przedsiębiorstwa spedycyjnego.

## WSKAZÓWKI DOTYCZĄCE UŻYTKOWANIA

Nie należy używać zbyt dużej siły przy wierceniu lub młotkowaniu. Wiertarka udarowa powinna pracować z własną siłą.

## AUTOMATYCZNE ZATRZYMANIE

**AUTO STOP** Funkcja odrzutu AUTOSTOP™ wykrywa zakleszczenie się wiertła. Lampka kontrolna miga, a układ elektroniczny wyłącza wiertarkę udarową. W celu uruchomienia należy zwolnić uchwyt przełącznika i nacisnąć go ponownie.

## PRACA W ZIMNEJ TEMPERATURZE

Jeśli maszyna przez dłuższy czas była nieużywana lub była przechowywana w niskiej temperaturze, smar może stać się lepki, a także może dojść do sytuacji, w której maszyna na samym początku w ogóle nie rozpocznie pracy lub będzie mieć zbyt słabą moc. Należy wówczas:

1. Włożyć wiertło lub dłuto w maszynę.
2. Położyć maszynę na kawałku betonu.
3. Wcisnąć i puszczać przełącznik co kilka sekund.

Po 15 sekundach do maksymalnie 2 minut maszyna zacznie uderzać w prawidłowy sposób. Im zimniejsza jest maszyna, tym dłużej trwa rozgrzewanie.

## CZYSZCZENIE

Otwory wentylacyjne elektronarzędzia muszą być zawsze drożne.

## UTRZYMANIE I KONSERWACJA

Ważne! W przypadku zużycia szczeroków węglowych po ich wymianie elektronarzędzie należy przekazać do serwisu obsługi posprzedażnej. Zapewni to długi okres użytkowania i maksymalne osiągi elektronarzędzia.

Używać tylko i wyłącznie wyposażenia dodatkowego Milwaukee i części zamiennych Milwaukee. Gdyby trzeba było wymienić części, które nie zostały opisane, należy skontaktować się z przedstawicielem serwisu Milwaukee (patrz wykaz adresów punktów usługowych/gwarancyjnych).

W razie potrzeby można zamówić rysunek urządzenia w rozłożeniu na części podając typ maszyny oraz sześciopozycyjny numer na tabliczce znamionowej w Punkcie Obsługi Klienta lub bezpośrednio w firmie Techtron Industries GmbH, Max-Eyth-Straße 10, 71364 Winnenden, Germany.

## SYMBOLY

	Przed uruchomieniem elektronarzędzia zapoznać się uważnie z treścią instrukcji.
	UWAGA! OSTRZEŻENIE NIEBEZPIECZENSTWO!
	Przed przystąpieniem do jakichkolwiek prac na elektronarzędziu należy wyjąć wkładkę akumulatorową.
	Podczas pracy należy zawsze nosić okulary ochronne.
	Należy używać ochroniaczy uszu!
	Nosić odpowiednią maskę przeciwpyłową.
	Nosić rękawice ochronne!
	System antywibracyjny redukuje wibracje maszyny przy uchwycie.
	Wyposażenie dodatkowe dostępne osobno.
	Urządzenia elektryczne, baterie/akumulatory nie mogą być usuwane razem z odpadami pochodzącymi z gospodarstw domowych. Urządzenia elektryczne i akumulatory należy gromadzić oddzielnie i w celu usuwania ich do odpadów zgodnie z wymaganiami środowiska naturalnego oddawać do przedsiębiorstwa utylizacyjnego. Proszę zasięgnąć informacji o centrach recyklingowych i punktach zbiorczych u władz lokalnych lub u wyspecjalizowanego dostawcy.
	Liczba obrotów na biegu jałowym
	Napięcie
	Prąd stały

	Europejski Certyfikat Zgodności
	Brytyjski znak potwierdzający zgodność
	Ukraiński Certyfikat Zgodności
	Euroazjatycki Certyfikat Zgodności

MŰSZAKI ADATOK	M18 FH	M18 FHX
Felépítés	Akkumulátoros fűrókalapács	Akkumulátoros fűrókalapács
Gyártási szám	4831 62 01 XXXXX MJJJJ	4831 72 01 XXXXX MJJJJ
Akkumulátor feszültség	18 V ---	18 V ---
Egyedi ütoenergia	2,5 J	2,5 J
Üresjárat fordulatszám	0-1330 min <sup>-1</sup>	0-1330 min <sup>-1</sup>
Ütésszám terhelés alatt	0-4800 min <sup>-1</sup>	0-4800 min <sup>-1</sup>
Feszítőnyak-ø	46 mm	46 mm
Furat-ø betonba	26 mm	26 mm
Furat-ø acélba	13 mm	13 mm
Furat-ø fába	28 mm	28 mm
Fúrókorona téglába és mészköbe	65 mm	65 mm
Súly a 01/2014EPTA-eljárás szerint ((2,0 Ah ... 12,0 Ah))	3,4 kg ... 4,4 kg	3,6 kg ... 4,6 kg
Ajánlott környezeti hőmérséklet munkavégzésnél		-18...+50 °C
Ajánlott akkutípusok		M18B...; M18HB...
Ajánlott töltőkészülékek		M12-18...; M1418C6

**Zajinformáció:** A közölt értékek megfelelnek az EN 60745 szabványnak.

A készülék munkahelyi zajszintje tipikusan:

Hangnyomás szint / K bizonytalanság

Hangteljesítmény szint / K bizonytalanság

**Viseljen hallásvédőt.**

**Vibráció-információk:** Összesített rezgésértékek (három irány vektoriális összege) az EN 60745.-nek megfelelően meghatározva.

ah rezgésemisszió érték / K bizonytalanság

Útférfúráshoz betonba (a<sub>h,HD</sub>)

Vésés (a<sub>h,Chaq</sub>)

	12,9 m/s <sup>2</sup> / 1,5 m/s <sup>2</sup>	12,9 m/s <sup>2</sup> / 1,5m/s <sup>2</sup>
	14,2 m/s <sup>2</sup> / 1,5m/s <sup>2</sup>	14,2 m/s <sup>2</sup> / 1,5 m/s <sup>2</sup>

## ▲ FIGYELMEZTETÉS!

Az adatlapon feltüntetett rezgés- és zajkibocsátási szint mérésére az EN 60745 szabványos vizsgálati módszere alapján került sor, és a kapott értékek az egyes szerszámok összehasonlítására használhatók. Az értékek az expozíció előzetes értékelésében használhatók.

A feltüntetett rezgés- és zajkibocsátási szint a szerszám főbb alkalmazásait tükrözi. Mindazonáltal, ha a szerszámot különböző alkalmazásokra, eltérő tartozékokkal használják, illetve a szerszám nincs megfelelően karbantartva, a rezgés- és zajkibocsátási szint eltérő lehet. Ez jelentősen növelheti az expozíciós szintet a teljes munkafolyamat során.

A rezgésnek és zajnak való expozíció becslést szintjét is figyelembe kell venni a szerszám kikapcsolásakor, illetve olyankor, ha a szerszám üzemel, de valójában nem történik vele munkavégzés. Ez jelentősen csökkentheti az expozíciós szintet a teljes munkafolyamat során.

Határozzon meg további biztonsági intézkedéseket, hogy védje a kezelőt a rezgés- és/vagy zajhatásoktól. Ilyen intézkedések pl.: a szerszámok és tartozékok karbantartása, a kéz melegen tartása, munkarend-szervezés.

## ▲ FIGYELMEZTETÉS! Olvasson el minden biztonsági útmutatást és utasítást. A következőkben leírt előírások betartásának elmulasztása áramütésekhez, tűzhöz és/vagy súlyos testi sérülésekhez vezethet.

**Kérjük a későbbi használatra gondosan őrizze meg ezeket az előírásokat.**

### BIZTONSÁGI ÚTMUTATÁSOK FŰRÓKALAPÁCS

**Viseljen hallásvédőt.** A zajhatás a hallás elvesztését eredményezheti.

**Használja a készülékkel együtt szállított kézfoganyitúkat.** A készülék fölötti ellenőrzés elvesztése sérüléseket okozhat.

**A készüléket a szigetelt markolatfelületeket fogva tartsa, ha olyan munkálatokat végez, melyeknél a vágószerszám rejtett elektromos vezetékbe.**

A vágószerszám feszültségvezető vezetékkel való érintkezésekor a készülék fém részei is feszültség alá kerülhetnek, és elektromos áramütés következhet be.

### TOVÁBBI BIZTONSÁGI ÉS MUNKAVÉGZÉSI UTASÍTÁSOK

Használjon védőfelszerelést! Ha a gépen dolgozik, mindig hordjon védőszemüveget! Javasoljuk a védőruházat, úgymint porvédő maszk, védőcipő, erős és csúszásbiztos lábbeli, sisak és hallásvédő használatát.

A munka során keletkező por gyakran egészségre káros, ezért ne kerüljön a szervezetbe  
Hordjon e célra alkalmas porvédőmaszkot.

Nem szabad olyan anyagokat megmunkálni, amelyek egészségre veszélyesek (pl. azbeszitet).

A betétszerszám elakadásakor azonnal ki kell kapcsolni a készüléket! Addig ne kapcsolja vissza a készüléket, amíg a betétszerszám elakadása fennáll; ennek során nagy ellennyomatékú visszarángás történhet. Határozza és szüntesse meg a betétszerszám elakadásának okát a biztonsági útmutatások betartása mellett.

Ennek következők lehetnek az okai:

- a szerszám elakad a megmunkálendő munkadarabban
- a megmunkálendő anyag átszakadt
- az elektromos szerszám túlterhelése

Ne nyúljon a járó gépbe.

A betétszerszám az alkalmazás során felforrósodhat.

**FIGYELMEZTETÉS!** Egési sérülések veszélye

- szerszámcserék
- a készülék lerakásakor

A munka közben keletkezett forgácsokat, szilkánkokat, törmelékét, stb. csak a készülék teljes leállása után szabad a munkaterületről eltávolítani.

Falban, földemben, aljzatban történő fúrásnál fokozottan ügyelni kell az elektromos-, víz- és gázvezetésekre.

Biztosítsa a munkadarabot befogó szerkezettel. A nem biztosított

munkadarabok súlyos sérüléseket és károkat okozhatnak.

Karbantartás, javítás, tisztítás, stb. előtt az akkumulátort ki kell venni a készülékből.

A használt akkumulátort ne dobja tűzbe vagy a háztartási szeméttbe. Tájékoztódjon a szakszerű megsemmisítés helyi lehetőségeiről.

Az akkumulátort ne tárolja együtt fém tárgyakkal. (Rövidzárlat veszélye).

Az M18 elnevezésű rendszerhez tartozó akkumulátorokat kizárólag a rendszerhez tartozó töltővel töltsse fel. Ne használjon más rendszerbe tartozó töltőt.

Az akkumulátort, töltőt nem szabad megbontani és kizárólag száraz helyen szabad tárolni. Nedvességtől óvni kell.

Akkumulátor sav folyhat a sérült akkumulátorból extrém terhelés alatt, vagy extrém hő miatt. Ha az akkumulátor sav a bőrre kerül azonnal mossa meg szappanos vízzel. Szembe kerülés esetén folyóvíz alatt tartsa a szemét minimum 10 percig és azonnal forduljon orvoshoz.

**Figyelmeztetés!** A rövidzárlat általi tűz, sérülések vagy termékkárosodások veszélye elkerülésére ne merítse a szerszámot, a cserélhető akkut vagy a töltőkészüléket folyadékba, és gondoskodjon arról, hogy ne hatoljanak folyadékok a készülékekbe és az akkukba. A korrozív hatású vagy vezetőképes folyadékok, mint pl. a sós víz, bizonyos vegyi anyagok, fehérítők vagy fehérítő tartalmú termékek, rövidzárlatot okozhatnak.

### RENDELTESSZERŰ HASZNÁLAT

Akkumulátoros fűrókalapács általánosan használható útfezfúráshoz kőzetekbe, valamint fúráshoz fába, fémbe és műanyagba.

A készüléket kizárólag az alábbiakban leírtaknak megfelelően szabad használni.

### FENNMARADÓ KOCKÁZATOK

Szabályos használat esetén sem lehet minden fennmaradó kockázatot kizárni. A használat során a következő veszélyek keletkezhetnek, amelyekre a kezelőnek különösen figyelnie kell:

- Vibráció okozta sérülések.  
A készüléket az e célra szolgáló markolatoknál fogja meg és korlátozza a munka- és expozíciós időt.
- A zajterhelés halláskárosodást okozhat.  
Viseljen hallásvédőt és korlátozza az expozíciós időt.
- Szennyrészecskék által okozott szemsérülések.  
Viseljen mindig védőszemüveget, erős hosszú nadrágot, kesztyűt és ellenálló lábbelit.
- Mérgező porok belélegzése

### LI-ION AKKUKRA VONATKOZÓ ÚTMUTATÁSOK

#### Li-ion akkuk használata

A hosszabb ideig üzemben kívül lévő akkumulátort használat előtt ismételtelen fel kell tölteni.

50°C feletti hőmérsékletnél csökkenhet az akkumulátor teljesítménye. Kerülni kell a túlzottan meleg helyen vagy napon történő hosszabb idejű tárolást.

A töltő és az akku csatlakozóérintkezőt tisztán kell tartani.

Az optimális élettartam érdekében használat után az akkukat teljesen fel kell tölteni.

A lehetőleg hosszú élettartamhoz az akkukat feltöltés után ki kell venni a töltőkészülékből.

Az akku 30 napot meghaladó tárolása esetén:

Az akkut kb. 27 °C-on, száraz helyen kell tárolni.

Az akkut kb. 30-50%-os töltöttségi állapotban kell tárolni.

Az akkut 6 havonta újra fel kell tölteni.

#### Akku-túlterhelés elleni védelem Li-ion akkuknál

Az akku nagyon nagy áramfelhasználása következtében fellépő túlterhelése esetén - pl. rendkívül magas forgatónyomatékok, a fűró megszorulása, hirtelen leállás vagy rövidzárlat miatt – az elektromos

szerszám 5 másodpercen keresztül vibrál, a töltéskijelző villog és az elektromos szerszám magától kikapcsol.

Az újbóli bekapcsoláshoz engedje el a nyomókapcsolót, majd kapcsolja be ismét.

Rendkívüli terheléseknél az akku túlságosan felmelegszik. Ebben az esetben a töltéskijelző minden lámpája addig villog, amíg az akku le nem hűl. Ha a töltéskijelző kialszik, utána tovább lehet dolgozni.

#### Li-ion akkuk szállítása

A lítium-ion akkuk a veszélyes áruk szállítására vonatkozó törvényi rendelkezések hatálya alá tartoznak.

Az ilyen akkuk szállításának a helyi, országos és nemzetközi előírások és rendelkezések betartása mellett kell történnie.

- A fogyasztók minden további nélkül szállíthatják az ilyen akkukat közúton.
- A lítium-ion akkuk szállítmányozási vállalatok általi kereskedelmi célú szállítására a veszélyes áruk szállítására vonatkozó rendelkezések érvényesek. A kiszállítás előkészítését és a szállítást kizárólag megfelelő képzettségű személyek végezhetik. A teljes folyamatnak szakmai felügyelet alatt kell történnie.

A következő pontokat kell figyelembe venni akkuk szállításakor:

- Biztosítsa, hogy a rövidzárlatok elkerülése érdekében az érintkezők védve és szigetelve legyenek.
- Ügyeljen arra, hogy az akkucsomag ne tudjon elcsúszni a csomagoláson belül.
- Tilos sérült vagy kifolyt akkukat szállítani.

További útmutatásokért forduljon szállítványozási vállalatához.

### A HASZNÁLATRA VONATKOZÓ ÚTMUTATÁSOK

Fúrásnál vagy kalapálásánál ne alkalmazzon túl nagy erőt. Hagyja a fűrókalapácsot dolgozni.

### AUTOSTOP

**AUTOSTOP** A visszarángás elleni AUTOSTOP™ funkció felismeri a fűró megszorulását. Az ellenőrző lámpa villog, és az elektronika lekapcsolja a fűrókalapácsot. Bekapcsoláshoz engedje el, majd nyomja le újból a kapcsológombot.

### MUNKAVÉGZÉS HIDEGBEN

Ha a gépet hosszabb ideig vagy alacsony hőmérsékleten tárolják, akkor a kenőanyag besűrűsödhet, és előfordulhat, hogy a gép kezdetben nem működik, vagy a teljesítmény túl alacsony. Ilyen esetben:

- Helyezzen egy fűrőt vagy vésőt a géphez.
- Helyezze a gépet egy maradék betondarabra.
- Néhány másodpercenként nyomja le a kapcsológombot, majd engedje el.

15 másodperc és 2 perc közötti idő elteltével a gép normál módon kezd működni. Minél hidegebb a gép, annál tovább tart a felmelegedés.

### TISZTÍTÁS

A készülék szellőzőnyílásait mindig tisztán kell tartani.

### KARBANTARTÁS

Az elhasználtott szénkeféket az illetékes márkaszervizzel haladéktalanul kell kicseréltetni, így jelentősen megnövelhető a készülék élettartama és garantált a folyamatos üzemkész állapot.

Csak Milwaukee tartozékokat és Milwaukee pótalkatrészeket szabad használni. Az olyan elemeket, melyek cseréje nincs ismertetve, cseréltesse ki Milwaukee szervizzel (lásd Garancia/Ügyfélszolgálat címet kiadványt).

Igény esetén a készülékről robbantott rajz kérhető a géptípus és a teljesítménycímeként található hatjegyű szám megadásával az Ön

## SZIMBÓLUMOK

	Kérjük alaposan olvassa el a tájékoztatót mielőtt a gépet használja.
	FIGYELEM! FIGYELMEZTETÉSI VESZÉLY!
	Karbantartás, javítás, tisztítás, stb. előtt az akkumulátort ki kell venni a készülékből.
	Munkavégzés közben ajánlatos védőszemüveget viselni.
	Hallásvédő eszköz használata ajánlott!
	Hordjon e célra alkalmas porvédőmaszkot.
	Hordjon védőkesztyűt!
	Az antivibrációs rendszer csökkenti a gép fogantyújánál fellépő rezgéseket.
	Azokat a tartozékokat, amelyek gyárilag nincsenek a készülékhez mellékelve, külön lehet megrendelni.
	Az elektromos eszközöket, elemeket/akkukat nem szabad a háztartási hulladékkal együtt ártalmatlanítani. Az elektromos eszközöket és akkukat szelektíven kell gyűjteni, és azokat környezetbarát ártalmatlanítás céljából hulladékhasznosító üzemben kell leadni. A helyi hatóságoknál vagy szakkereskedőjénél tájékozódjon a hulladékudvarokról és gyűjtőhelyekről.
	Üresjárati fordulatszám
	Feszültség
	Egyenáram
	Európai megfelelőségi jelölés
	Brit megfelelőségi jel
	Ukrán megfelelőségi jelölés
	Eurázsiai megfelelőségi jelölés

TEHNICNI PODATKI	M18 FH	M18 FHX
Model	Baterijska rotacijska kladiva	Baterijska rotacijska kladiva
Proizvodna številka	4831 62 01 XXXXXX MJJJ	4831 72 01 XXXXXX MJJJ
Napetost izmenljivega akumulatorja	18 V ---	18 V ---
Energija posameznega udarca	2,5 J	2,5 J
Število vrtljajev v prostem teku	0-1330 min <sup>-1</sup>	0-1330 min <sup>-1</sup>
Bremensko število udarcev	0-4800 min <sup>-1</sup>	0-4800 min <sup>-1</sup>
Vpenjalni vrat ø	46 mm	46 mm
Vrtalni ø v betonu	26 mm	26 mm
Vrtalni ø v jeklu	13 mm	13 mm
Vrtalni ø v lesu	28 mm	28 mm
Lahka vrtalna krona v opeki in apnenem peščencu	65 mm	65 mm
Teža po EPTA-proceduri 01/2014 ((2,0 Ah ... 12,0 Ah))	3,4 kg ... 4,4 kg	3,6 kg ... 4,6 kg
Priporočena temperatura okolice pri delu	-18...+50 °C	
Priporočene vrste akumulatorskih baterij	M18B...; M18HB...	
Priporočeni polnilniki	M12-18...; M1418C6	
<b>Informacije o hrupnosti:</b> Vrednosti merjenja ugotovljene ustrezno z EN 60745.		
Raven hrupnosti naprave ovrednotena z A, znaša tipično:		
Nivo zvočnega tlaka / Nevarnost K	92,6 dB(A) / 3 dB(A)	92,6 dB(A) / 3 dB(A)
Višina zvočnega tlaka / Nevarnost K	103,6 dB(A) / 3 dB(A)	103,6 dB(A) / 3 dB(A)
<b>Nosite zaščito za sluh.</b>		
<b>Informacije o vibracijah:</b> Skupna vibracijska vrednost (Vektorska vsota treh smeri) določena ustrezno EN 60745.		
Vibracijska vrednost emisij a <sub>h</sub> / Nevarnost K		
Udarno vrtnje v betonu (a <sub>h,HD</sub> )	12,9 m/s <sup>2</sup> / 1,5 m/s <sup>2</sup>	12,9 m/s <sup>2</sup> / 1,5 m/s <sup>2</sup>
Klesanje (a <sub>h,Cheq</sub> )	14,2 m/s <sup>2</sup> / 1,5 m/s <sup>2</sup>	14,2 m/s <sup>2</sup> / 1,5 m/s <sup>2</sup>

## ⚠ OPOZORILO!

Raven vibracij in hrupa, navedena v tem informativnem listu, je bila izmerjena v skladu s standardiziranim preskusom iz EN 60745 in jo je mogoče uporabljati za primerjavo orodij med seboj. Mogoče jo je tudi uporabiti za predhodno oceno izpostavljenosti.

Navedena raven vibracij in hrupa predstavlja glavno uporabo orodja. Če pa se orodje uporablja za različne namene, z različnimi dodatki ali slabo vzdrževano, se lahko vibracije in hrup razlikujejo. To lahko znatno poveča raven izpostavljenosti v celotnem delovnem obdobju.

Pri oceni ravnih izpostavljenosti vibracijam in hrupu je treba upoštevati tudi čas, ko je orodje izklopljeno ali ko teče, vendar dejansko ne opravlja dela. To lahko bistveno zmanjša raven izpostavljenosti v celotnem delovnem obdobju.

Ugotovite dodatne varnostne ukrepe za zaščito upravljavca pred učinki vibracij in/ali hrupa, kot so: vzdrževanje orodja in dodatkov, tople roke, organizacija delovnih vzorcev.

**⚠ OPOZORILO! Preberite vsa varnostna opozorila in navodila.** Napake zaradi neupoštevanja spodaj navedenih opozoril in napotil lahko povzročijo električni udar, požar in/ali težke telesne poškodbe.  
**Vsa opozorila in napotila shranite, ker jih boste v prihodnje še potrebovali.**

## VARNOSTNA OPOZORILA ZA ROTACIJSKA KLADIVA

**Nosite zaščito za sluh.** Razvijanje hrupa lahko povzroči izgubo sluha.

**Uporabite dodatne ročaje, ki so dobavljeni skupaj z napravo.** Izguba kontrole lahko povzroči poškodbe.

**Kadar izvajate dela pri katerih lahko orodje zadane prikrto električno napeljavno, je napravo potrebno držati za izolirane prijemalne površine.**

Stik rezalnega orodja z napetostnim vodnikom napeljave lahko privede kovinske dele naprave pod napetost in vodi do električnega udara.

## NADALJNA VARNOSTNA IN DELOVNA OPOZORILA

Uporabite zaščitno opremo. Pri delu s strojem vedno nosite zaščitna očala. Priporočajo se zaščitna oblačila, kot npr. maska za zaščito proti prahu, zaščitne rokavice, trdno in nedrseče obuvalo, čelada in zaščitna za sluh.

Prah, ki nastaja pri delu, je pogosto zdravju škodljiv in naj ne zaide v telo. Nosite ustrezno masko proti prahu.

Obdelava materialov, iz katerih izhaja ogroženost zdravja (npr. azbest), ni dovoljena.

V primeru blokade orodja napravo takoj izklopite! Naprave ponovno ne vklaplajte dokler je orodje blokirano; pri tem bi lahko prišlo do povratnega udara z velikim reakcijskim momentom. Ugotovite in odpravite vzroke blokade orodja ob upoštevanju varnostnih navodil.

Možni razlogi so lahko:

- Zagozditev v obdelovancu
- prežganje obdelovanega materiala
- Preobremenitev električnega orodja

Ne segajte v stroj v teku.

Orodje lahko med uporabo postane vroče.

**OPOZORILO!** Nevarnost opeklin

- pri menjavi orodja
- pri odlaganju naprave

Trske ali iveri se pri tekočem stroju ne smejo odstranjevati.

Pri delih na steni, stroju ali v tleh pazite na električne kable, plinske in vodne napeljave.

Obdelovanec zavarujte z vpenjalno pripravo. Nezavarovani obdelovanci lahko povzročijo težke poškodbe in okvare.

Pred vsemi deli na stroji odstranite izmenljivi akumulator.

Izrabljenih izmenljivih akumulatorjev ne mečite v ogenj ali v gospodinjnske odpadke. Milwaukee nudi okolju prijazno odlaganje starih izmenljivih akumulatorjev; prosimo povprašajte vašega strokovnega trgovca.

Izmenljivih akumulatorjev ne hranite skupaj s kovinskimi predmeti (nevarnost kratkega stika).

Izmenljive akumulatorje sistema M18 polnite samo s polnilnimi aparati sistema M18. Ne polnite nobenih akumulatorjev iz drugih sistemov.

Izmenljivih akumulatorjev in polnilnih aparatov ne odpirajte in jih hranite samo v suhih prostorih. Zaščitite jih pred mokroto.

Pod ekstremno obremenitvijo ali ob ekstremni temperaturi iz poškodovanega izmenljivega akumulatorja lahko izteka akumulatorska tekočina. Po stiku z akumulatorsko tekočino prizadeto mesto takoj izperite z vodo in milom. Po stiku z očmi takoj najmanj 10 minut dolgo temeljito izpirajte in nemudoma obiščite zdravnika.

**Opozorilo!** V izogib, s kratkim stikom povzročene nevarnosti požara, poškodb ali okvar na proizvodu, orodja, izmenljivega akumulatorja ali polnilne naprave ne potaplajte v tekočine in poskrbite, da ne bo prihajalo do vdora tekočin v naprave in akumulatorje. Korozivne ali prevodne tekočine, kot so slana voda, določene kemikalije in belila ali proizvodi, ki le ta vsebujejo, lahko povzročijo kratak stik.

## UPORABA V SKLADU Z NAMEMBOSTJO

Akumulatorski udarni vrtnalnik je univerzalno uporaben za udarno vrtnanje v kamnu in za vrtnanje v lesu, kovini ter umetni masi, neodvisno od omrežnega priključka.

Ta naprava se sme uporabiti samo v skladu z namembnostjo uporabiti samo za navede namene.

## PREOSTALA TVEGANJA

Tudi pri pravilni uporabi vseh pretalnih tveganj ni mogoče izključiti. Pri uporabi lahko pride do sledečih nevarnosti, na katere naj bo uporabnik zmeraj pozoren:

- Vsled vibracij povzročene poškodbe. Napravo držite za temu namenu predvidene ročaje in omejite čas dela in izpostavljenosti.
- Obremenitev s hrupom lahko privede do poškodb sluha. Nosite zaščito sluha in omejite dovo izpostavljenosti.
- Vsled delcev nečistoč povzročene poškodbe oči. Nosite zmeraj zaščitna očala, močne dolge hlače, rokavice in močno obuče.
- Vdihavanje nevarnih prahov.

## NAPOTKI ZA LITIJ-IONSKE AKUMULATORJE

### Uporaba litij-ionskih akumulatorjev

Akumulatorje, ki jih daljši čas niste uporabljali, pred uporabo naknadno napolnite.

Temperatura nad 50°C zmanjšuje zmogljivost akumulatorja. Izogibajte se daljšemu segrevanju zaradi sončnih žarkov ali gretja.

Pazite, da ostanejo priključni kontakti na polnilnem aparatu in izmenljivem akumulatorju čisti.

za optimalno življenjsko dobo je potrebno akumulatorje po uporabi do konca napolniti.

Za čim daljšo življenjsko dobo naj se akumulatorji po napolnitvi vzamejo ven iz naprave za polnjenje.

Pri skladiščenju akumulatorjev dalj kot 30 dni:

Akumulator skladiščiti pri 27°C in na suhem.

Akumulator skladiščiti pri 30%-50% stanja polnjenja.

Akumulator spet napolniti vsakih 6 mesecev.

### Preobremenitvena zaščita litij-ionskih akumulatorjev

V primeru preobremenitve akumulatorja zaradi visoke porabe toka, npr. ekstremno visokih vrtilnih momentov, zatika svedra, nenadne zaustavitve ali kratkega stika, električno orodje 5 sekund vibrira, prikazovalnik polnjenja utripa, električno orodje pa se samodejno izklopi.

Za ponoven vklop izpustite pritiskno stikalo in nato znova vklopite. Pod ekstremnimi obremenitvami se akumulator premočno segreva. V tem primeru utripajo vse lučke prikazovalnika polnjenja dokler se akumulator ne ohladi. Za tem, ko prikazovalnik polnjenja ugasne lahko z delom nadaljujemo.

## Transport litij-ionskih akumulatorjev

Litij-ionski akumulatorji so podvrženi zakonskim določbam transporta nevarnih snovi.

Transport teh akumulatorjev se mora izvajati upoštevajoč lokalne, nacionalne in mednarodne predpise in določbe.

- Potrošniki lahko te akumulatorje še nadalje transportirajo po cesti.
- Komercialni transport litij-ionskih akumulatorjev s strani špediterskih podjetij je podvržen določbam transporta nevarnih snovi. Priprava odpreme in transporta se lahko vrši izključno s strani ustrezno izšolanih oseb. Celoten proces je potrebno strokovno spremljati.

Pri transportu akumulatorjev je potrebno upoštevati sledeče točke:

- V izogib kratkim stikom zagotovite, da bodo kontakti zaščiteni in izolirani.
- Bodite pozorni na to, da paket akumulatorja v notranjosti embalaže ne bo mogel zdrsniti.
- Poškodovanih ali iztekajočih akumulatorjev ni dovoljeno transportirati.

Za nadaljnja navodila se obrnite na vaše špeditersko podjetje.

## NAPOTKI ZA DELO

Pri vrtnanju ali udarjanju s kladivom ne uporabljajte preveč sile. Pnevmatični vrtnalnik naj dela sam.

## SAMODEJNA ZAUSTAVITEV

**AUTO STOP** Funkcija povratnega udarca AUTOSTOP™ zazna zataknjen sveder. Kontrolna lučka utripa in elektronika izklopi vrtnalo kladivo. Za vklop sprostite gumb stikala in ga znova pritisnite.

## DELA V HLADNEM VREMENU

Če je stroj skladiščen za daljše obdobje ali pri nizkih temperaturah, se lahko mazivo strdi in stroj na začetku ne more delovati ali pa je moč premajhna. Če se to zgodi:

- vstavite sveder ali deleto v stroj;
- namestite stroj na preostali kos betona;
- pritisnite stikalo vsakih nekaj sekund in ga znova spustite.

Po 15 sekundah do 2 minut začne stroj normalno tolči. Čim hladnejši je stroj, tem dlje traja segrevanje.

## ČIŠČENJE

Pazite na to, da so prezračevalne reže stroja vedno čiste.

## VZDRŽEVANJE

Pri obrabljenih oglenih krtačkah naj se dodatno z zamenjavo oglenih krtačk izvede servisno vzdrževanje v delavnici servisne službe. To podaljša življenjsko dobo stroja in zagotavlja stalno pripravljenost za obratovanje.

Uporabljajte samo Milwaukee pribor in Milwaukee nadomestne dele. Poskrbite, da sestavne dele, katerih zamenjava ni opisana, zamenjajo v Milwaukee servisni službi (upoštevajte brošuro Garancija aslovi servisnih služb).

Po potrebi je mogoče pri vašem servisnem mestu ali neposredno pri Techtronic Industries GmbH, Max-Eyth-Straße 10, 71364 Winnenden, Germany, naročiti eksplozijsko risbo naprave ob navedbi tipa stroja in na tablici navedene šestmestne številke.

## SIMBOLI



Prosimo, da pred uporabo pozorno preberete to navodilo za uporabo.



POZOR! OPOZORILO! NEVARNO!



Pred vsemi deli na stroji odstranite izmenljivi akumulator.



Pri delu s strojem vedno nosite zaščitna očala.



Nosite zaščito za sluh!



Nosite ustrezno masko proti prahu.



Nositi zaščitne rokavice



Protivibracijski sistem zmanjša vibracije stroja na ročaju.



Oprema – ni vsebovana v obsegu dobave, priporočeno dopolnilo iz programa opreme.



Električnih naprav, baterij/akumulatorjev ni dovoljeno odstranjevati skupaj z gospodinjstvi odpadki. Električne naprave in akumulatorje je potrebno zbirati ločeno in za okolju prijazno odstranitev, oddati podjetju za reciklažo. Pri krajevnem uradu ali vašem strokovnem prodajalcu se pozanimajte glede reciklažnih dvorišč in zbirnih mest.



Število vrtljajev prostega teka



Napetost



Enosmerni tok



Evropska oznaka za združljivost



Britanska oznaka o skladnosti



Ukrajinska oznaka za združljivost



Evrazijska oznaka za združljivost

TEHNIČKI PODACI	M18 FH	M18 FHX
Vrsta izvedbe	Akumulatorski bušači čekić	Akumulatorski bušači čekić
Broj proizvodnje	4831 62 01 XXXXXX MJJJJ	4831 72 01 XXXXXX MJJJJ
Napon baterije za zamjenu	18 V ---	18 V ---
Energija pojedinačnog udara	2,5 J	2,5 J
Broj okretaja praznog hoda	0-1330 min <sup>-1</sup>	0-1330 min <sup>-1</sup>
Broj udaraca pod opterećenjem	0-4800 min <sup>-1</sup>	0-4800 min <sup>-1</sup>
Stezno grlo-Ø	46 mm	46 mm
Bušenje-Ø u beton	26 mm	26 mm
Bušenje-Ø u čelik	13 mm	13 mm
Bušenje-Ø u drvo	28 mm	28 mm
Laka krunica za bušenje u opeku i silikatnu opeku	65 mm	65 mm
Težina po EPTA-proceduri 01/2014 ((2,0 Ah ... 12,0 Ah))	3,4 kg ... 4,4 kg	3,6 kg ... 4,6 kg
Preporučena temperatura okoline kod rada		-18...+50 °C
Preporučeni tipovi akumulatora		M18B...; M18HB...
Preporučeni punjači		M12-18...; M1418C6

**Informacije o buci:** Mjerne vrijednosti utvrđene odgovarajuće EN 60745.

A-ocijenjeni nivo buke aparata iznosi tipično:

Nivo pritiska zvuka / Nesigurnost K

Nivo učinka zvuka / Nesigurnost K

**Nosite zaštitu za sluh.**

**Informacije o vibracijama:** Ukupne vrijednosti vibracije (Vektor suma tri smjera) su odmerjene odgovarajuće EN 60745.

Vrijednost emisije vibracije a<sub>v</sub> / Nesigurnost K

Čekićno bušenje u beton (a<sub>h,HD</sub>)

Klesanje (a<sub>h,Chaq</sub>)

	12,9 m/s <sup>2</sup> / 1,5 m/s <sup>2</sup>	12,9 m/s <sup>2</sup> / 1,5m/s <sup>2</sup>
	14,2 m/s <sup>2</sup> / 1,5m/s <sup>2</sup>	14,2 m/s <sup>2</sup> / 1,5 m/s <sup>2</sup>

## ⚠ UPOZORENIE!

Razine emisije vibracija i buke navedena u ovom informacijskom listu izmjerene su u skladu sa standardiziranim ispitom koji propisuje EN 60745 i mogu se upotrebljavati za međusobnu usporedbu alata. Također se mogu upotrebljavati za prethodnu procjenu izloženosti.

Navedene razine emisija vibracija i buke predstavljaju glavnu svrhu primjene alata. Međutim, ako se alat upotrebljava u druge svrhe, s drugim priborom ili se ne održava dovoljno, emisije vibracija i buke mogu biti drukčije. To može značajno povećati razinu izloženosti tijekom cjelokupna razdoblja rada.

Procjena razine izloženosti vibracijama i buci također bi u obzir trebala uzeti razdoblja tijekom kojih je alat isključen ili kada je uključen, no njime se ne obavlja nikakav rad. Time se značajno može smanjiti razina izloženosti tijekom cjelokupna razdoblja rada.

Utvrđite dodatne sigurnosne mjere kako biste zaštitili rukovatelja od ovih učinaka vibracija i/ili buke, primjerice: održavanje alata i pribora, osiguravanje da ruke budu tople, organizacija obrazaca rada.

**⚠ POZORENJE! Pročitajte molimo sve sigurnosna upozorenja i upute.** Ako se ne bi poštivala napomene o sigurnosti i upute to bi moglo uzrokovati strujni udar, požar i/ili teške ozljede. **Sačuvajte sve napomene o sigurnosti i upute za buduću primjenu.**

## SIGURNOSNE UPUTE ZA UDARALJKE BUŠAČI ČEKIĆ

**Nosite zaštitu za sluh.** Djelovanje buke može dovesti do gubitka sluha.

**Koristite dodatne drške koje su isporučene sa aparatom.** Gubitak kontrole može prouzročiti povrede.

**Držite spravu na izoliranim držačkim površinama kada izvodite radove kod kojih rezački alat može pogoditi skrivene vodove struje.**

Kontakt rezačkog alata sa vodovima koji sprovode naponom može metalne dijelove sprave dovesti pod napon i tako dovesti do električnog udara.

## OSTALE SIGURNOSNE I RADNE UPUTE

Upotrebljavati zaštitnu opremu. Kod radova sa strojem uvijek nositi zaštitne naočale. Preporučuje se zaštitna odjeća, kao zaštitna maska protiv prašine, zaštitne rukavice, čvrste i protiv klizanja sigurne cipele, šljem i zaštitu sluha.

Prašina koja nastaje prilikom rada je često nezdrava i ne bi smijela

dospijeti u tijelo. Nositi prikladnu zaštitnu masku protiv prašine.

Ne smiju se obrađivati nikakvni materijali, od kojih prijeti opasnost po zdravlje (npr. azbest).

Kod blokiranja alata koji se upotrebljava uređaj molimo odmah isključiti! Uređaj nemojte ponovno uključiti za vrijeme dok je alat koji se upotrebljava blokiran; time može doći do povratnog udara sa visokim reakcijskim momentom. Pronađite i otklonite uzrok blokiranja alata koji se upotrebljava uz poštivanje sigurnosnih uputa.

Mogući uzroci tome mogu biti:

- Izobličavanje u izratku koji se obrađuje
- Probijanje materijala koji se obrađuje
- Preopterećenje električnog alata

Nemojte sezati u stroj koji radi.

Upotrebljeni alat se može za vrijeme korištenja zagrijati.

**UPOZORENIE!** Opasnost od opekotina

- kod promjene alata
- kod odlaganja uređaja

Piljevina ili iverje se za vrijeme rada stroja ne smiju odstranjivati.

Kod radova na zidu, stropu ili podu paziti na električne kablove kao i vodove plina i vode.

Osigurajte vaš izradak jednim steznom uređenjem. Neosigurani izradci mogu prouzročiti teške povrede i oštećenja.

Prije svih radova na stroju izvaditi bateriju za zamjenu.

Istrošene baterije za zamjenu ne bacati u vatra ili u kućno smeće. Milwaukee nudi mogućnost uklanjanja starih baterija odgovarajuće

okolini. Milwaukee nudi mogućnost uklanjanja starih baterija odgovarajuće okolini; upitajte molimo Vašeg stručnog trgovca.

Baterije za zamjenu ne čuvati skupa sa metalnim predmetima (opasnost od kratkog spoja).

Baterije sistema M18 puniti samo sa uređajem za punjenje sistema M18. Ne puniti baterije iz drugih sistema.

Baterije za zamjenu i uređaje za punjenje ne otvarati i čuvati ih samo u suhim prostorijama. Čuvati protiv vlage.

Pod ekstremnim opterećenjem ili ekstremne temperature može iz oštećenih baterija iscuriti baterijska tekućina. Kod dodira sa baterijskom tekućinom odmah isprati sa vodom i sapunom. Kod kontakta sa očima odmah najmanje 10 minuta temeljno ispirati i odmah potražiti liječnika.

**Upozorenje!** Zbog izbjegavanja opasnosti od požara jednim kratkim spojem, opasnosti od ozljeda ili oštećenja proizvoda, alat, izmjenjivi akumulator ili napravu za punjenje ne uronjavati u tekućine i pobrinite se za to, da u uređaje ili akumulator ne prodiru nikakve tekućine. Korozirajuće ili vodljive tekućine kao slana voda, određene kemikalije i sredstva za bijeljenje ili proozvodi koji sadrže sredstva bijeljenja, mogu prouzročiti kratak spoj.

## PROPIISNA UPOTREBA

Baterijski bušači čekić je univerzalno upotrebljiv za čekićno bušenje u kamenu kao i za bušenje drva, metala i plastike, neovisno o priključku na mrežu.

Ovaj aparat se smije upotrijebiti samo u određene svrhe kao što je navedeno.

## PREOSTALI RIZIKI

I kod pravilne uprabe se ne mogu isključiti svi ostaci rizika. Kod uporabe mogu nastati sljedeće opasnosti, na koje poslušio mora obratiti posebnu pažnju:

- Vibracijama prouzročene ozljede. Uređaj držite na za to predviđenim drškama i ograničite radno vrijeme i vrijeme ekspozicije.
- Opterećenje bukom može dovesti do oštećenja sluha. Nosite zaštitu sluha i ograničite trajanje ekspozicije.
- Česticama prijavštine prouzročene ozljede očiju. Nosite uvijek zaštitne naočale, zatvorene duge hlače, rukavice i zatvorene cipele.
- Udisanje otrovnih prašina.

## UPUTE ZA LI-ION-AKUMULATORE

### Korištenje Li-Ion-akumulatora

Baterije koje duže vremena nisu korištene, prije upotrebe napuniti.

Temperatura od preko 50°C smanjuje učinak baterija. Duže zagrijavanje od strane sunca ili grijanja izbjeci.

Priključne kontakte na punjaču i na akumulatoru držati čistima.

Za optimalni vijek trajanja se akumulatori poslije upotrebe moraju sasvim napuniti.

Za što moguće duži vijek trajanja akumulatori se nakon punjenja moraju odstraniti iz punjača.

Kod skladištenja akumulatora duže od 30 dana:

Akumulator skladištiti na suhom kod ca. 27°C.

Akumulator skladištiti kod ca. 30%-50% stanja punjenja.

Akumulator ponovno napuniti svakih 6 mjeseci.

### Zaštita od preopterećenja akumulatora kod Li-Ion-akumulatora

Kod preopterećenja akumulatora kroz vrlo visoku potrošnju struje, npr. ekstremno visoki zakretni momenti, naglim zaustavljanjem ili kratkim spojem, električni alat vibrira za vrijeme od 5 sekundi, pokazivač punjenja treperi i električni alat se samostalno isključuje. Za ponovno uključivanje ispuštiti okidač sklopke i zatim ponovno uključiti. Pod ekstremnim opterećenjima se akumulator prejakno zagrije. U tome slučaju trepere sve lampice pokazivača punjenja, sve dok se akumulator ne ohladi. Poslije gašenja pokazivača punjenja se može nastaviti sa radom.

### Transport Li-Ion-akumulatora

Liitijske-ionske baterije spadaju pod zakonske odredbe u svezi transporta opasne robe.

Prijevoz ovih baterija mora uslijediti uz poštivanje lokalnih, nacionalnih i internacionalnih propisa i odredaba.

- Korisnici mogu bez ustručavanja ove baterije transportirati po cestama.
- Komercijalni transport litijsko-ionskih baterija od strane transportnih poduzeća spada pod odredbe o transportu opasne robe. Otpremničke pripreme i transport smiju izvoditi isključivo odgovarajuće školovane osobe. Kompletni proces se mora pratiti na stručan način.

Kod transporta baterija se moraju poštivati sljedeće točke:

- Uvjerite se da su kontakti zaštićeni i izolirani kako bi se izbjegli kratki spojevi.
- Pazite na to, da blok baterija unutar pakiranja ne može proklizavati.
- Oštećene ili iscurjele baterije se ne smiju transportirati.

U svezi ostalih uputa obratite se vašem prijevoznom poduzeću.

## RADNE UPUTE

Kod bušenja ili udaranjem čekićem ne primijeniti previše snage. Ostavite neka bušači čekić radi za sebe.

## AUTOSTOP

**AUTOSTOP™** Kickback-funkcija prepoznaje stiskanje svrdla. Kontrolna sijalica treperi a elektronika isključuje bušači čekić. Za uključivanje pritisnu sklopku ispuštiti i ponovno pritisnuti.

## RAD NA HLADNOĆI

Kada se stroj za duže vrijeme ili kod niskih temperatura uskladišti, podmazivanje može postati viskozno i moguće je da stroj na početku ne radi odmah ili da je snaga premala. Ako se to desi:

1. Umetnite u stroj svrdlo ili dijeljo.
2. Stroj postavite na jedan preostali komad betona.
3. Aktivirajte pritisnu tipku svakih nekoliko sekunda i opet ju ispuštite.

Poslije 15 sekunda do 2 minute stroj počinje normalno udarati čekićem. Što je stroj hladniji, to dulje traje zagrijavanje.

## ČIŠĆENJE

Proreze za prozračivanje stroja uvijek držati čistima.

## ODRŽAVANJE

Kod istrošenih ugljenih četkica bi se uz zamjenu ugljenih četkica trebao dodatno sprovesti servis u nekoj servisnoj radionici. To povećava vijek trajanja stroja i jamči stalnu spremnost pogona.

Primijeniti samo Milwaukee opremu i Milwaukee rezervne dijelove. Sastavne dijelove, čija zamjena nije opisana, dati zamijeniti kod jedne od Milwaukee servisnih službi (poštivati brošuru Garancija/ Adrese servisa).

Po potrebi se crtež pojedinih dijelova aparata uz navođenje podatka o tipu stroja i šestznamenastog broja na pločici snage može zatražiti kod vašeg servisa ili direktno kod Techtronic Industries GmbH, Max-Eyth-Straße 10, 71364 Winnenden, Njemačka.



**SIMBOLI**

	Molimo da pažljivo pročitate uputu o upotrebi prije puštanja u rad.
	PAŽNJA! UPOZORENIE! OPASNOST!
	Prije svih radova na stroju izvaditi bateriju za zamjenu.
	Kod radova na stroju uvijek nositi zaštitne naočale.
	Nositi zaštitu sluha!
	Nositi prikladnu zaštitnu masku protiv prašine.
	Nositi zaštitne rukavice!
	Antivibracijski sustav smanjuje vibracije stroja na ručki.
	Oprema - u opsegu isporuke nije sadržana, preporučena dopuna iz promgrama opreme.
	Elektrouredajni, baterije/akumulatori se ne smiju zbrinjavati skupa sa kućnim smećem. Električni uredajili akumulatori se moraju skupljati odvojeno i predati na zbrinjavanje primjereno okolišu jednom od pogona za iskorišćavanje. Raspitajte se kod mjesnih vlasti ili kod stručnog trgovca u svezi gospodarstva za recikliranje i mjesta skupljanja.
	Broj okretaja u praznom hodu Napon
	Istosmjerna struja
	Europski znak suglasnosti
	Britanski znak suglasnosti
	Ukrajinski znak suglasnosti
	Euroazijski znak suglasnosti

TEHNIŠKIE DATI	M18 FH	M18 FHX
Konstrukcija	Akumulatora rotéjošais ámurs Akumulatora rotéjošais ámurs	
Izlaides numurs	4831 62 01 XXXXXX MJJJ	4831 72 01 XXXXXX MJJJ
Akumulatora spriegums	18 V ---	18 V ---
Atseviškā sitienu enerģija	2,5 J	2,5 J
Tukšgaitas apgriezienu skaits	0-1330 min <sup>-1</sup>	0-1330 min <sup>-1</sup>
Sitienu biežums ar slodzi	0-4800 min <sup>-1</sup>	0-4800 min <sup>-1</sup>
Kakla diametrs	46 mm	46 mm
Urbšanas diametrs betonā	26 mm	26 mm
Urbšanas diametrs tēraudā	13 mm	13 mm
Urbšanas diametrs kokā	28 mm	28 mm
Vieglais kronurbis kļeģeļiem un kalkšmišakmenim	65 mm	65 mm
Svars atbilstoši EPTA -Procedure 01/2014 ((2,0 Ah ... 12,0 Ah))	3,4 kg ... 4,4 kg	3,6 kg ... 4,6 kg
Leteicamā vides temperatūra darba laikā	-18...+50 °C	
Leteicamie akumulatoru tipi	M18B...; M18HB...	
Leteicamās uzlādes ierīces	M12-18...; M1418C6	
<b>Trokšņu informācija:</b>		
Vērtības, kas noteiktas saskaņā ar EN 60745.		
A novērtētās aparatūras skaņas līmenis ir:		
Trokšņa spiediena līmenis / Nedrošība K	92,6 dB(A) / 3 dB(A)	92,6 dB(A) / 3 dB(A)
Trokšņa jaudas līmenis / Nedrošība K	103,6 dB(A) / 3 dB(A)	103,6 dB(A) / 3 dB(A)
<b>Nēsājiet ausu aizsargus.</b>		
<b>Vibrāciju informācija:</b> Svārstību kopējā vērtība (Trīs virzienu vektoru summa) tiek noteikta atbilstoši EN 60745.		
Svārstību emisijas vērtība a <sub>v</sub> / Nedrošība K		
Urbšana betonā (a <sub>n,HD</sub> )	12,9 m/s <sup>2</sup> / 1,5 m/s <sup>2</sup>	12,9 m/s <sup>2</sup> / 1,5m/s <sup>2</sup>
Skaldīšana (a <sub>n,Chaq</sub> )	14,2 m/s <sup>2</sup> / 1,5m/s <sup>2</sup>	14,2 m/s <sup>2</sup> / 1,5 m/s <sup>2</sup>

**UZMANĪBU!**

Vibrācijas un trokšņa emisijas līmenis šajā informācijas lapā ir izmērīts saskaņā ar EN 60745 standarta testa metodi un var tikt izmantots, lai salīdzinātu vienu ierīci ar otru. Tās var tikt izmantotas ietekmes sākotnējai izvērtēšanai.

Norādītais vibrācijas un trokšņa emisijas līmenis attēlo ierīces galvenos izmantošanas veidus. Tomēr, ja ierīce tiek izmantota citiem mērķiem, ar citu papildaprīkojumu vai nepareizi apkalpota, vibrācijas un trokšņa emisija var atšķirties. Tas var ievērojami paaugstināt ietekmes līmeni visā darba laikā.

Novērtējot vibrācijas un trokšņa ietekmes līmeni, vajadzētu ņemt vērā arī laiku, kad ierīce ir izslēgta vai ieslēgta, taču netiek lietota. Tas var ievērojami samazināt ietekmes līmeni visā darba laikā.

Lai aizsargātu operatoru no vibrācijas un/vai trokšņa, veiciet papildu drošības pasākumus, piemēram, veiciet apkopi ierīcei un papildaprīkojumam, uzturiet rokas siltas, organizējiet darba grafiku.

**BRĪDINĀJUMS!** Izlasiet visus drošības brīdinājumus un instrukcijas. Šeit sniegto drošības noteikumu un norādījumu neievērošana var izraisīt aizdegšanos un būt par cēloni elektriskajam triecienam vai nopietnam savainojumam. **Pēc izlasīšanas uzglabājiet šos noteikumus turpmāki izmantošanai.**

**DROŠĪBAS NORĀDĪJUMI DARBĀ AR ROTĒJOŠAIS ĀMURS**

**Nēsājiet ausu aizsargus. Trokšņa iedarbības rezultātā var rasties dzirdes traucējumi.**

**Lietojiet instrumentam pievienotos papildus rokturus. Zaudējot kontroli, var gūt ievainojumus.**

**Lerīci turiet aiz izolētiem rokturiem, ja veicat darbus, kuros griešanas darbiem izmantojamais instruments var skart paslēptus elektrovadus.**

Šī instrumenta saskare ar strāvu vadošiem kabeļiem var radīt spriegumu arī ierīces metāliskajās daļās un var izraisīt elektrisko triecienu.

**CITAS DROŠĪBAS UN DARBA INSTRUKCIJAS**

Jāizmanto aizsargaprīkojums. Strādājot ar mašīnu, vienmēr jānēsā aizsargbrilles. Ieteicams nēsāt aizsargapģērbu, kā piemēram, aizsargmasku, aizsargcimdus, kurpes no stingra un neslidīga materiāla, ķiveri un ausu aizsargus.

Putekļi, kas rodas darba gaitā, bieži ir kaitīgi veselībai un tiem nevajadzētu nokļūt organismā. Jānēsā piemērota maska, kas pasargā no putekļiem.

Nedrīkst apstrādāt materiālus, kas rada draudus veselībai (piemēram, azbestu).

Ja izmantojamais darba rīks tiek bloķēts, nekavējoties izslēgt ierīci! Neieslēdziet ierīci, kamēr izmantojamais darba rīks ir bloķēts; var rasties atsitens ar augstu griezes momentu. Noskaidrojiet un novērsiet izmantojamā darba rīka bloķēšanas iemeslu, ievērojot visas drošības norādes.

- Iespējamie iemesli:
- iesprūdis apstrādājamajā materiālā
  - apstrādājamais materiāls ir caursists
  - elektroinstruments ir pārslogots

Leslēgtai ierīcei nepieskarties. Izmantojamais darba rīks darba gaitā var stipri sakarst.

**UZMANĪBU!** Brīstamība apdedzināties

- veicot darba rīka nomainīšanu
- noļiekot iekārtu

Skaidas un atlūzas nedrīkst ņemt ārā, kamēr mašīna darbojas.

Veicot darbus sienu, griestu un grīdas apvidū, vajag uzmanīties, lai nesabojātu elektriskos, gāzes un ūdens vadus.

Fiksējiet apstrādājamo materiālu ar fiksācijas aprīkojumu. Nenostiprināti materiāli var izraisīt smagus savainojumus un bojājumus.

Pirms mašīnai veikt jebkāda veida apkopes darbus, ir jāizņem ārā

akumulātors.

Izmantotos akumulārus nedrīkst mest ugunī vai parastajos atkritumos. Firma Milwaukee piedāvā iespēju vecos akumulātorus savākt apkārtējo vidi saudzējošā veidā; jautājiet specializētā veikalā.

Akumulātorus nav ieteicams glabāt kopā ar metāla priekšmetiem (iespējams īsslēgums).

M18 sistēmas akumulātorus lādēt tikai ar M18 sistēmas lādētājiem. Nedrīkst lādēt citus akumulātorus no citām sistēmām.

Akumulātorus un lādētājus nedrīkst taisyt vaļā un tie jāuzglabā sausās telpās.

Pie ārkārtas slodzes un ārkārtas temperatūrām no bojātā akumulātorā var izteciēt akumulātorā šķidrums. Ja nonākat saskarsmē ar akumulātorā šķidrumu, saskarsmes vieta nekavējoties jānomazgā ar ūdeni un ziepēm. Ja šķidrums nonācis acīs, acis vismaz 10 min. skalot un nekavējoties konsultēties ar ārstu.

**Brīdinājums!** Lai novērstu īssavienojuma izraisītu aizdegšanās, savainojumu vai produkta bojājuma risku, neiegremdējiet instrumentu, maināmo akumulātoru vai uzlādes ierīci šķidrums un rūpējieties par to, lai ierīcēs un akumulātoros neiekļūtu šķidrums. Koroziju izraisoši vai vadītspējīgi šķidrumi, piemēram, sālsūdens, noteiktas ķīmikālijas, balinātāji vai produkti, kas satur balinātājus, var izraisīt īssavienojumu.

## NOTEIKUMIEM ATBILSTOŠS IZMANTOJUMS

Atskaldāmais āmurs ar akumulātoriem ir universāli izmantojams akmens skaldīšanai un koka, metāla un plastmasas urbšanai neatkarīgi no tikla pieslēguma.

Šo instrumentu drīkst izmantot tikai saskaņā ar minētajiem lietošanas noteikumiem.

## CITI RISKI

Arī, pareizi lietojot ierīci, nav iespējams izslēgt pilnīgi visus riskus. Lietojot ierīci, var rasties šāds apdraudējums, kam lietotājam jāpievērš īpaša uzmanība:

- Vibrācijas radītais traumas.
- Turiet ierīci aiz tam paredzētajiem rokturiem un ierobežojiet darba un ekspozīcijas laiku.
- Troksnis var bojāt dzirdi.
- Lietojiet dzirdes aizsargierīces un ierobežojiet ekspozīcijas laiku.
- Netīrību daļiņas var traumēt acis.
- Vienmēr valkājiet aizsargbrilles, stingras, garas bikses, cimdus un stingrus apavus.
- Indīgu putekļu ieelpošana.

## NORĀDĪJUMI LITĪJA JONU AKUMULĀTORIEM

### Litija jonu akumulātoru lietošana

Akumulātori, kas ilgāku laiku nav izmantoti, pirms lietošanas jāuzlādē.

Pie temperatūras, kas pārsniedz 50°C, akumulātoru darbība tiek negatīvi ietekmēta. Vajag izvairīties no ilgākas saules un karstuma iedarbības.

Lādētāja un akumulātoru pievienojuma kontakti jāuztur tīri.

Lai baterijas darba ilgums būtu optimāls, pēc iekārtas izmantošanas tā jāuzlādē.

Lai akumulātoru kalpotu pēc iespējas ilgāku laiku, akumulātorus pēc uzlādes ieteicams atvienot no lādētājiņerīces.

Akumulātoru uzglabāšana ilgāk kā 30 dienas: uzglabāt akumulātoru pie aptuveni 27°C un sausā vietā. Uzglabāt akumulātoru uzlādes stāvoklī aptuveni pie 30%-50%. Uzlādēt akumulātoru visus 6 mēnešus no jauna.

### Litija jonu akumulātoru aizsardzība pret pārslodzi

Akumulātoru pārslodzes gadījumos, esot ļoti lielam elektroenerģijas patēriņam, piem., ārkārtīgi augsts griezes moments, urbja iekēršanās, pēkšņa apstāšanās vai īssavienojums, elektriskais darbarīks 5 sekundes vibrē, uzlādes indikators mirgo, un elektriskais

darbarīks pats izslēdzas.

Lai to atkal ieslēgtu, atlaidiet ieslēgšanas pogu un tad to ieslēdziet no jauna.

Esot ārkārtīgi augstam noslogojumam, akumulātorus sakarst pārāk daudz. Šādā gadījumā visas uzlādes indikatora lampiņas mirgo tik ilgi, kamēr akumulātors ir atdzisis. Darbu varat turpināt, kad uzlādes indikators vairs nedeg.

### Litija jonu akumulātoru transportēšana

Uz litija jonu akumulātoriem attiecas noteikumi par bīstamo kravu pārvadāšanu.

Šo akumulātoru transportēšana jāveic saskaņā ar vietējiem, valsts un starptautiskajiem normatīvajiem aktiem un noteikumiem.

- Patērētāja darbības, pārvadājot šos akumulātorus pa autoceļiem, nav reglamentētas.
- Uz litija jonu akumulātoru komerciālu transportēšanu, ko veic ekspedīcijas uzņēmums, attiecas bīstamo kravu pārvadāšanas noteikumi. Sagatavošanas darbus un transportēšanu drīkst veikt tikai atbilstoši apmācīts personāls. Viss process jāveda profesionāli.

Veicot akumulātoru transportēšanu, jāievēro:

- Pārļiecinieties, ka kontakti ir aizsargāti un izolēti, lai izvairītos no īssavienojumiem.
- Pārļiecinieties, ka akumulātors iepakojumā nevar paslīdēt.
- Bojātus vai tekošus akumulātorus nedrīkst transportēt.

Plašāku informāciju Jūs varat saņemt no ekspedīcijas uzņēmuma.

## DARBA NORĀDĪJUMI

Urbjot vai perforējot, nelietojiet pārāk daudz spēka. Ļaujiet triecienurbim veikt darbu Jūsu vietā.

## AUTOMĀTISKA APSTĀŠANĀS

**AUTOSTOP**™ atdures funkcija atpazīst, ja urbis ir iestrēdzis. Sāk mirgot vadības lampa, un elektronika izslēdz triecienurbī. Lai ieslēgtu, atlaidiet ieslēgšanas slēdzi un nospiediet to no jauna.

## DARBI AUKSTOS LAIKAPSTĀKĻOS

Ja mašina tiek uzglabāta ilgāku laika periodu vai zemās temperatūrās, eļļa var kļūt stingra un mašina sākumā var nestrādāt vai arī strādāt ar nepietiekamu jaudu. Ja tā notiek:

1. Ievietojiet mašīnā urbi vai katlu.
2. Novietojiet mašīnu uz betona gabala.
3. Nospiediet un atlaidiet slēdzi ik pēc pāris sekundēm.

Mašina atsāk normālu darbību pēc 15 sekundēm līdz 2 minūtēm. Jo aukstāka ir mašina, jo ilgāk notiek uzslāšana.

## TĪRĪŠANA

Vajag vienmēr uzmanīti, lai būtu tīras dzesēšanas atveres.

## APKOPE

Ja ir nolietojušās elektromotora ogļītes, papildus to nomaināi būtu jāveic instrumenta apskate sevisi darbnīcā. Tas pagarinās mašīnas kalpošanas ilgumu un garantēs tās pastāvīgu darbību.

Izmantojiet tikai firmu Milwaukee piederumus un firmas Milwaukee rezerves daļas. Lieciet nomainīt detaļas, kuru nomainā nav aprakstīta, kādā no firmu Milwaukee klientu apkalpošanas servisiem. (Škat. brošūru „Garantija/klientu apkalpošanas serviss“.)

Pēc pieprasījuma, Jūsu Klientu apkalpošanas centrā vai pie Technotronic Industries GmbH, Max-Eyth-Straße 10, 71364 Winnenden, Vācijā, ir iespējams saņemt iekārtas montāžas rasējumu, iepriekš norādot iekārtas modeli un sērijas numuru, kas atrodas uz datu plāksnītes un sastāv no sešiem simboliem.

## SIMBOLI

	Pirms sākt lietot instrumentu, lūdzu, izlasiet lietošanas pamācību.
	UZMANĪBU! BĪSTAMI!
	Pirms mašīnai veikt jebkāda veida apkopes darbus, ir jāizņem ārā akumulātors.
	Strādājot ar mašīnu, vienmēr jānēsā aizsargbrilles.
	Nēsāt trokšņa slāpētāju!
	Jānēsā piemērota maska, kas pasargā no putekļiem.
	Jāvalkā aizsargcimdī!
	Pretrivibrācijas sistēma samazina mašīnas vibrāciju uz roktura.
	Piederumi - standartaprikojumā neietvertās, bet ieteicamās papildus komplektācijas detaļas no piederumu programmas.
	Elektriskus aparātus, baterijas/akumulātorus nedrīkst utilizēt kopā ar māsaimniecības atkritumiem. Elektriski aparāti un akumulātori ir jāsavāc atsevišķi un jānodod atkritumu pārstrādes uzņēmumā videi saudzīgai utilizācijai. Jautājiet vietējā iestādē vai savam specializētajam tirgotājam, kur atrodas atkritumu pārstrādes uzņēmumi vai savākšanas punkti.
	Tukšgaitas apgriezīnu skaits
	Spriegums
	Līdzstrāva
	Eiropas atbilstības zīme
	Apvienotās Karalistes atbilstības zīme
	Ukrainas atbilstības zīme
	Eirāzijas atbilstības zīme

TECHNINIAI DUOMENYS	M18 FH	M18 FHX
Konstruktija	Sukamasis plaktukas su akumuliatoriumi	Sukamasis plaktukas su akumuliatoriumi
Produkto numeris	4831 62 01 XXXXX MJJJJ	4831 72 01 XXXXX MJJJJ
Keičiamo akumuliatoriaus įtampa	18 V ---	18 V ---
Pavienio smūgio jėga	2,5 J	2,5 J
Sūkių skaičius laisva eiga	0-1330 min <sup>-1</sup>	0-1330 min <sup>-1</sup>
Smūgių skaičius su apkrova	0-4800 min <sup>-1</sup>	0-4800 min <sup>-1</sup>
Įveržimo ašies ø	46 mm	46 mm
Gręžimo ø betone	26 mm	26 mm
Gręžimo ø pliene	13 mm	13 mm
Gręžimo ø medienoje	28 mm	28 mm
Lengvo gręžimo antgalis degtose ir silikatinėse plytose	65 mm	65 mm
Prietaiso svoris įvertintas pagal EPTA 2014/01 tyrimų metodiką ((2,0 Ah ... 12,0 Ah))	3,4 kg ... 4,4 kg	3,6 kg ... 4,6 kg
Rekomenduojama aplinkos temperatūra dirbant	-18...+50 °C	
Rekomenduojami akumuliatorių tipai	M18B...; M18HB...	
Rekomenduojami įkrovikliai	M12-18...; M1418C6	

**Informacija apie keliamą triukšmą:** Vertės matuotos pagal EN 60745.

Įvertintas A įrenginio keliamo triukšmo lygis dažniausiai sudaro:

Garso slėgio lygis / Paklaida K

Garso galios lygis / Paklaida K

**Nešiokite klausos apsaugos priemones.**

**Informacija apie vibraciją:** Bendroji svyravimų reikšmė (trijų krypčių vektorių suma), nustatyta remiantis EN 60745.

Vibravimų emisijos reikšmė  $a_{h,v}$  / Paklaida K

Gręžimas betone ( $a_{h,HD}$ )

Atskėlimas ( $a_{h,Chaq}$ )

92,6 dB(A) / 3 dB(A)

103,6 dB(A) / 3 dB(A)

92,6 dB(A) / 3 dB(A)

103,6 dB(A) / 3 dB(A)

12,9 m/s<sup>2</sup> / 1,5 m/s<sup>2</sup>

14,2 m/s<sup>2</sup> / 1,5 m/s<sup>2</sup>

12,9 m/s<sup>2</sup> / 1,5 m/s<sup>2</sup>

14,2 m/s<sup>2</sup> / 1,5 m/s<sup>2</sup>

## ▲ DĖMESIO!

Šiame vadove nurodytos bendrosios vibracijos ir triukšmo emisijos vertės nustatytos pagal standartinius bandymo metodus pagal EN 60745, todėl gali būti taikomos lyginant vieną įrankį su kitu. Gali būti naudojama preliminariniai poveikio įvertinimui.

Nurodytos bendrosios vibracijos ir triukšmo emisijos vertės atitinka įrankio taikymą. Jei įrankis naudojamas kitokiais tikslais, kartu su kitokiais priedais ar netinkamai prižiūrimas, bendrosios vibracijos ir triukšmo emisijos vertės gali skirtis. Tai gali žymiai padidinti poveikio lygį viso darbo metu.

Apskaičiuojant bendrosios vibracijos ir triukšmo emisijos vertes reikėtų atsižvelgti į laikotarpį, kai prietaisas yra išjungtas arba įjungtas, bet nėra naudojamas. Tai gali žymiai sumažinti poveikio lygį viso darbo metu.

Tam, kad naudotojas būtų apsaugotas nuo vibracijos ir (arba) triukšmo poveikio, reikia nustatyti papildomus saugos reikalavimus, pavyzdžiui: tinkamai prižiūrėti prietaisą ir jo priedus, laikyti rankas šiltais, organizuoti darbo modelius.

**▲ ĮSPĖJIMAS! Perskaitykite visus saugos nurodymus ir instrukcijas.** Jei nepaisysite žemiau pateiktų saugos nuorodų ir reikalavimų, gali trenkti elektros smūgis, kilti gaisras ir/arba galite sunkiai susižaloti arba sužaloti kitus asmenis. **Išsaugokite šias saugos nuorodas ir reikalavimus, kad ir ateityje galėtumėte jais pasinaudoti.**

### SUKAMASIS PLAKTUKAS SAUGUMO NURODYMAI

**Nešiokite klausos apsaugos priemones.** Triukšmo poveikyje galima netekti klausos.

**Naudokite į prietaiso komplektaciją įeinančias papildomas rankenas.** Nesuvaldžius prietaiso galima susižeisti.

**Dirbdami laikykite prietaisą už izoliuotų vietų, kuriose pjovimo įrenginys pats galėtų liesti paslėptus laidus.**

Pjovimo įrenginio kontaktas su įtampas laidais gali įelektrinti metalines prietaiso dalis, o tai gali sukelti elektros iškvėpą.

### KITI SAUGUMO IR DARBO NURODYMAI

Dėvėkite apsaugines priemones. Dirbdami su mašina visada užsidėkite apsauginius akinius. Rekomenduotina dėvėti apsaugines priemones: apsaugos nuo dulkių respiratorius, apsaugines pirštines, kietus batus neslidžiais padais, šalimą ir klausos apsaugos priemones.

Darbo metu susidarančios dulkės yra dažnai kenksmingos sveikatai

ir todėl turėtų nepatekti į organizmą. Dėvėti tinkamą apsauginę kaukę nuo dulkių.

Negalima apdirbti medžiagų, dėl kurių galimi sveikatos pažeidimai (pvz., asbesto).

Blokuojant įstatomąjį įrankį būtina išjungti prietaisą! Neįjunkite prietaiso, kol įstatomasis įrankis yra užblokuotas; galimas grįžtamasis smūgis su dideliu sukimo momentu. Atsižvelgdami į saugumo nurodymus, nustatykite ir pašalinkite įstatomojo įrankio blokavimo priežastį.

Galimos priežastys:

- Susidariusios apdirbamo ruošinio briaunos
- Apdirbamos medžiagos pratrūkimas
- Elektros įrankio perkrova

Neišjunkite rąkų į veikiančią mašiną.

Naudojamas įstatomasis įrankis gali įkaisti.

- DĖMESIO!** Pavojaus nusidėginti
- keičiant įrankį
  - padedant prietaisą

Draudžiama išiminėti drožles ar nuopjovas, įrenginiui veikiant.

Dirbdami sienoje, lubose arba grindyse, atkreipkite dėmesį į elektros laidus, dujų ir vandens vamzdžius.

Ruošinį užfiksuokite įtempimo įrenginiu. Neufiksuoti ruošiniai gali sunkiai sužaloti ir būti pažeidimų priežastimi.

Prieš atikdami bet kokius darbus įrenginyje, išimkite keičiamą akumuliatorių.

Sunaudotų keičiamų akumuliatorių nedeginkite ir nemeskite į buitines atliekas. „Milwaukee“ siūlo tausojantį aplinką sudėvėtų keičiamų akumuliatorių tvarkymą, apie tai prekybos atstovo.

Keičiamų akumuliatorių nelaikykite kartu su metaliniais daiktais (trumpojo jungimo pavojus).

Keičiamus M18 sistemos akumuliatorius kraukite tik „C18“ sistemos įkrovikliais. Nekraukite kitų sistemų akumuliatorių.

Keičiamų akumuliatorių ir įkroviklių nelaikykite atvirai. Laikykite tik sausoje vietoje. Saugokite nuo drėgmės.

Ekstremalių apkrovų arba ekstremalios temperatūros poveikyje iš keičiamų akumuliatorių gali ištekėti akumuliatoriaus skystis. Išsitepus akumuliatoriaus skysčiu, tuoj pat nuplaukite vandeniu su muilu. Patekus į akis, tuoj pat ne trumpiau kaip 10 minučių gausiai skalaukite vandeniu ir tuoj pat kreipkitės į gydytoją.

**Įspėjimas!** Siekiami išvengti trumpojo jungimo sukeliama gaisro pavojaus, sužalojimų arba produkto pažeidimų, neišjunkite įrankio, keičiamo akumuliatoriaus arba įkroviklio į skysčius ir pasirūpinkite, kad į prietaisus arba akumuliatorius nepatektų jokių skysčių. Koroziją sukeliantys arba laidūs skysčiai, pvz., sūrus vanduo, tam tikri chemikalai ir balikliai arba produktai, kurių sudėtyje yra baliklių, gali sukelti trumpąjį jungimą.

### NAUDOJIMAS PAGAL PASKIRTĮ

Akumuliatorinį smūginį gręžtuvą galima universaliai naudoti smūginiam gręžimui uolienoje ir gręžimui medienoje, metalė ir plastike nepriklausomai nuo elektros tinklo.

Šį prietaisą leidžiama naudoti tik pagal nurodytą paskirtį.

### LIKUTINĖ RIZIKA

Net ir tinkamai naudojant įrenginį neįmanoma apsisaugoti nuo visų liekamųjų rizikų. Naudojant įrenginį gali kilti šie pavojai, į kuriuos naudotoji ypač svarbu atkreipti dėmesį:

- Vibracijos sukeliama sužalojimai. Įrenginį laikykite už tam skirtų rankenų ir apribokite darbo bei ekspozicijos trukmę.
- Dėl triukšmo gali būti pažeista klausos. Naudokite klausos organų apsaugos priemones ir apribokite ekspozicijos trukmę.
- Nešvarumų dalelių sukeliama akių sužalojimai. Visuomet būkite su apsauginiais akiniais, mūvėkite tvirtas ilgas kelnes, pirštines ir avėkite tvirtus apsauginius batus.
- Nuodingų dulkių įkvėpimas.

### NURODYMAI DĖL LIČIO JONŲ AKUMULIATORIAUS

#### Ličio jonų akumuliatoriaus naudojimas

Ilgesnį laiką nenaudotus akumuliatorius prieš naudojimą įkraukite.

Aukštesnė nei 50°C temperatūra mažina akumuliatorių galią.

Venkite ilgesnio saulės ar šilumos šaltinių poveikio.

Įkroviklio ir akumuliatoriaus jungiamieji kontaktai visada turi būti švarūs.

Kad prietaisas kuo ilgiau veiktų, pasinaudoję juo, iki galo įkraukite akumuliatorių.

Siekiant užtikrinti kuo ilgesnį akumuliatoriaus tarnavimo laiką, reikėtų jį po atlikto įkrovimo iškart išimti iš įkroviklio.

Bateriją laikant ilgiau nei 30 dienų, būtina atkreipti dėmesį į šias nuorodas: bateriją laikyti sausoje aplinkoje, esant apie 27 °C temperatūrai. Baterijos įkrovimo lygis turi būti nuo 30% iki 50%. Baterija pakartotinai turi būti įkraunama kas 6 mėnesius.

#### Ličio jonų akumuliatoriaus apsauga nuo perkrovos

Esant akumuliatoriaus perkrovai dėl pernelyg didelio srovės suvartojimo, pvz.: itin didelių apsuų, gręžtuvo užsikirtimo, staigaus sustabdymo ar trumpojo jungimo, elektrinis įrankis vibruoja 5 sekundes, signalinis įkrovos rodmuo pradeda mirksėti ir elektrinis įrankis automatiškai išsijungia.

Norint įrankį pakartotinai įjungti, reikia atleisti jungiklį ir vėl jį įjungti. Esant ekstremalioms apkrovoms akumuliatorius per stipriai

įkaista. Tokiu atveju visos įkrovos lemputės mirksi taip ilgai, kol akumuliatorius atvėsta. Užgesus įkrovos rodmėmis įrankiu galima naudotis toliau.

### Ličio jonų akumuliatoriaus transportavimas

Ličio jonų akumuliatoriams taikomos įstatyminės nuostatos dėl pavojingų krovinių pervežimų.

Šiuos akumuliatorius pervežti būtina laikantis vietinių, nacionalinių ir tarptautinių direktyvų ir nuostatų.

- Naudotojai šiuos akumuliatorius gali naudoti savo transporte be jokių kitų sąlygų.
- Už komercinį ličio jonų akumuliatorių pervežimą atsako ekspedicijos įmonė pagal nuostatas dėl pavojingų krovinių pervežimo. Pasiruošimo išsiųsti ir pervežimo darbus gali atlikti tik atitinkamai išmokyti asmenys. Visas procesas privalo būti prižiūrimas.

Pervežant akumuliatorius būtina laikytis šių punktų:

- Siekiant išvengti trumpųjų jungimų, įsitikinkite, kad kontaktai yra apsaugoti ir izoliuoti.
- Atkreipkite dėmesį, kad akumuliatorius pakuotės viduje neslidinėtų.
- Draudžiama pervežti pažeistus arba tekančius akumuliatorius.

Dėl detalesnių nurodymų kreipkitės į savo ekspedicijos įmonę.

### DARBO NUORODOS

Gręždami arba naudodami plaktukas nenaudokite per daug jėgos. Leiskite veikti pačiam perforatoriui.

### AUTOM. STABDYMAS

**AUTOSTOP** Funkcija „AUTOSTOP™-Kickback“ atpažįsta gręžtuvo užstrigimą. Mirksi kontrolinė lemputė ir elektroninė įranga atjungia perforatorių. Jei norite įjungti, atleiskite ir vėl paspauskite jungiklio mygtuką.

### DARBAS ESANT ŠALČIUI

Jei įrankis sandėliuojamas ilgesnį laiką arba esant žemai temperatūrai, sutepti gali pasidaryti sudėtinga ir įrankis iš pradžių gali neveikti arba pasidaryti per mažą jo galią. Jei taip atsitinka:

1. įstatykite gražtą arba kaltą į įrankį;
  2. padėkite įrankį ant betono gabalo;
  3. kas dvi sekundes spauskite jungiklio mygtuką ir vėl jį atleiskite;
- Po 15 sekundžių – 2 minučių įrankis pradeda veikti įprastai. Kuo šaltesnis įrankis, tuo daugiau laiko prireiks atšilti.

### VALYMAS

Įrenginio vėdinimo angos visada turi būti švarios.

### TECHNINIS APTARNAVIMAS

Keičiant susidėvėjusius anglinius šepetėlius, be šepetėlių keitimo aptarnavimo užstrigimą reikėtų atlikti techninį prietaiso aptarnavimą. Tai prailgina įrenginio tarnavimo laiką ir užtikrina nuolatinę parengtį darbui.

Naudokite tik „Milwaukee“ priedus ir „Milwaukee“ atsargines dalis. Dalis, kurių keitimas neaprašytas, leidžiama keisti tik „Milwaukee“ klientų aptarnavimo skyriaus (žr. garantiją/klientų aptarnavimo skyrių adresus brošiūroje).

Esant poreikiui, nurodžius mašinos modelį ir šešiaženklį numerį, esantį ant specifikacijų lentelės, klientų aptarnavimo centre arba tiesiogiai „Techtronic Industries GmbH“, Max-Eyth-Str. 10, 71364 Winnenden, Vokietija, galite užsakyti išplėstinį prietaiso brėžinį.

	Prieš pradėdami dirbti su prietaisu, atidžiai perskaitykite jo naudojimo instrukciją.
	<b>DĖMESIO! ĮSPĖJIMAS! PAVOJUS!</b>
	Prieš atlikdami bet kokius darbus įrenginyje, išimkite keičiamą akumuliatorių.
	Dirbdami su įrenginiu visada nešiokite apsauginius akinius.
	Nešioti klausos apsauginės priemonės!
	Dėvėti tinkamą apsauginę kaukę nuo dulkių.
	Lietojiet aizsardzības cimdus!
	Antivibracinė sistema sumažina prietaiso vibraciją ties rankena.
	Priedas – neįeina į tiekimo komplektaciją, rekomenduojamas papildymas iš priedų asortimento.
	Elektros prietaisų, baterijų/akumuliatorių šalinti kartu su buitinėmis atliekomis negalima. Elektros prietaisus ir akumuliatorius reikia surinkti atskirai ir atiduoti perdirbimo įmonei, kad būtų pašalinti aplinkai saugiu būdu. Vietos valdžios institucijose arba specializuotose prekybos vietose pasidomėkite apie perdirbimo ir surinkimo centrus.
	Sūkių skaičius tuščiaja eiga
	Įtampa
	Nuolatinė srovė
	Europos atitikties ženklas
	Jungtinės Karalystės atitikties ženklas
	Ukrainos atitikties ženklas
	Eurazijos atitikties ženklas

TEHNILISED ANDMED	M18 FH	M18 FHX
Konstruksioon	Juhtmeta pöördvasar	Juhtmeta pöördvasar
Tootmisnumber	4831 62 01 XXXXXX MJJJJ	4831 72 01 XXXXXX MJJJJ
Vahetatava aku pinge	18 V ---	18 V ---
Üksiklöögi tugevus	2,5 J	2,5 J
Pöörlemiskiirus tühjooksul	0-1330 min <sup>-1</sup>	0-1330 min <sup>-1</sup>
Löökide arv koormusega	0-4800 min <sup>-1</sup>	0-4800 min <sup>-1</sup>
Kinnituskaela ø	46 mm	46 mm
Puuri ø betoonis	26 mm	26 mm
Puuri ø terases	13 mm	13 mm
Puuri ø puidus	28 mm	28 mm
Kerg-kroonpuur tellistes ja silikaatkivides	65 mm	65 mm
Kaal vastavalt EPTA-protseduurile 01/2014 ((2,0 Ah ... 12,0 Ah))	3,4 kg ... 4,4 kg	3,6 kg ... 4,6 kg
Soovituslik ümbritsev temperatuur töötamise ajal		-18...+50 °C
Soovituslikud akutüübid		M18B...; M18HB...
Soovituslik laadija		M12-18...; M1418C6

**Müra andmed:** Mõõteväärtused on kindlaks tehtud vastavalt normile EN 60745.

Seadme tüüpiline hinnanguline (müratase:

Helirõhutase / Määramatus K

92,6 dB(A) / 3 dB(A)

92,6 dB(A) / 3 dB(A)

Helivõimsuse tase / Määramatus K

103,6 dB(A) / 3 dB(A)

103,6 dB(A) / 3 dB(A)

**Kandke kaitseks kõrvaklappe.**

**Vibratsiooni andmed:** Vibratsiooni koguväärtus (kolme suuna vektorsumma) mõõdetud EN 60745 järgi.

Vibratsiooni emissiooni väärtus a<sub>n</sub> / Määramatus K

Puurimine betoonis (a<sub>h,HD</sub>)

12,9 m/s<sup>2</sup> / 1,5 m/s<sup>2</sup>

12,9 m/s<sup>2</sup> / 1,5 m/s<sup>2</sup>

Meiseldamine (a<sub>n,Chaq</sub>)

14,2 m/s<sup>2</sup> / 1,5 m/s<sup>2</sup>

14,2 m/s<sup>2</sup> / 1,5 m/s<sup>2</sup>

### **TÄHELEPANU!**

Sellel teabelehel toodud vibratsiooni- ja müraemissioon on mõõdetud standardis EN 60745 kirjeldatud standarditust testiga ning seda võib kasutada tööriistade omavaheliseks võrdlemiseks. Testi võib kasutada kokkupuute esialgseks hindamiseks.

Deklareeritud vibratsiooni- ja müratase puudutab tööriista põhikasutust. Kui tööriista kasutatakse muuks otstarbeks, teistsuguste tarvikutega või tööriista hooldatakse halvasti, võivad vibratsioon ja müraemissioon erineda. See võib kokkupuutetaset kogu tööajal oluliselt suurendada.

Vibratsiooni ja müraga kokkupuute hinnangulise taseme juures tuleb arvesse võtta ka aega, kui tööriist on välja lülitatud või töötab, kuid sellega ei tehta tööd. See võib kokkupuutetaset kogu tööaja kohta oluliselt vähendada.

Tehke kindlaks täiendavad ohutusmeetmed operaatori kaitsmiseks vibratsiooni ja/või müra eest, näiteks: hooldage tööriista ja tarvikuid, hoidke käed soojas, vaadake üle töökorraldus.

### **HOIATUS! Lugege kõiki ohutusjuhiseid ja korraldusi.**

Ohutusnõuete ja juhiste eiramise tagajärjeks võib olla elektrilöök, tulekahju ja/või rasked vigastused.

**Hoidke kõik ohutusnõuded ja juhised edasiseks kasutamiseks hoolikalt alles.**

### **PÖÖRDVASAR E OHUTUSJUHISED**

**Kandke kaitseks kõrvaklappe.** Müra mõju võib kutsuda esile kuulmise kaotuse.

**Kasutage seadmega koos tarnitud lisakäepidemeid.** Kontrolli kaotamine võib põhjustada vigastusi.

**Tööde puhul, kus löikeseade võib minna vastu peidetud elektrijuhtmeid, hoidke kinni seadme isoleeritud käepidemetest.** Kokkupuude pingestatud juhtmega võib pingestada ka löikeseadme metallist osad ning põhjustada elektrilöögi.

### **EDASISED OHUTUS- JA TÖÖJUHISED**

Kasutada kaitsevarustust. Masinaga töötamisel kanda alati kaitseprille. Kaitseriietusena soovitakse kasutada tolmumaski kaitsekindaid, kinniseid ja libisemisvastase tallaga jalanõusid, kiivrit ja kuulmisteede kaitset.

Töö ajal tekkiv tolm on sageli tervistkahjustav ning ei tohiks sattuda organismi. Kanda sobivat kaitsemaski.

Töödelda ei tohi materjale, millest lähtub oht tervisele (nt asbest). Palun lülitage seade rakendustööriista blokeerumise korral kohe

välja! Ärge lülitage seadet sisse tagasi, kuni rakendustööriist on blokeeritud; seejuures võib kõrge reaktsioonimomendiga tagasilöökk tekkida. Tehke ohutusjuhiseid arvesse võttes kindlaks ja kõrvaldage rakendustööriista blokeerumise põhjus.

Selle võimalikeks põhjusteks võivad olla:

- viltu asetumine töödeldavas toorikus
- töödeldava materjali läbimurdumine
- elektritööriista ülekooormamine

Ärge sisestage jäsemeid töötavasse masinasse.

Rakendustööriist võib kasutamise ajal kuumaks minna.

**TÄHELEPANU!** Põletusohu

- tööriista vahetamisel
- seadme ärapanemisel

Puru ega pilpaid ei tohi eemaldada masina töötamise ajal.

Seina, lae või põranda tööde puhul pidage silmas elektrijuhtmeid, gaasi- ja veetorusid.

Kinnitage toorik kinnipingutusseadise. Kinnitamata toorikud võivad raskeid vigastusi ja kahjustusi põhjustada.

Enne kõiki töid masina kallal võtke vahetatav aku välja.

Ärge visake tarvitatud vahetatavaid akusid tulle ega olmeprügisse. Milwaukee pakub vanade akude keskkonnahoidlikku käitlust; palun küsige oma erialaselt tarnijalt.

Ärge säilitage vahetatavaid akusid koos metallesematega (lühiseoht).

Laadige süsteemi M18 vahetatavaid akusid ainult süsteemi M18 laadijatega. Ärge laadige nendega teiste süsteemide akusid.

Ärge avage vahetatavaid akusid ega laadijaid ning ladustage neid

ainult kuivades ruumides. Kaitske niiskuse eest.

Äärmuslikul koormusel või äärmuslikul temperatuuril võib kahjustatud vahetatavast akust akvedelik välja voolata. Akuvedelikuga kokkupuutumise korral peske kohe vee ja seebiga. Silma sattumise korral loputage kiiresti põhjalikult vähemalt 10 minutit ning pöörduge viivitamatult arsti poole.

**Hoiatus!** Lühisest põhjustatud tuleohtu, vigastuste või toote kahjustuste vältimiseks ärge kastke tööriista, vahetusakut ega laadimisseadet vedelikku ning jälgige, et vedelikke ei tungiks seadmesse ega akusse. Korrodeeruvad või elektrit juhtivad vedelikud, nagu soolvesi, teatud kemikaalid ja pleegitusained või pleegitusaineid sisaldavad tooted, võivad põhjustada lühisid.

## KASUTAMINE VASTAVALT OTSTARBELE

Akupuurvarasarat saab sõltumata võrguühendusest universaalselt rakendada kivimite puurvarasara töötlemiseks ning puidu, metalli ja plasti puurimiseks.

Antud seadet tohib kasutada ainult vastavalt äranäidatud otstarbele.

## JÄÄKOHUD

Jääkohud ei ole välistatud ka otstarbekohase kasutamise korral. Kasutamisel võivad tekkida järgmised ohud, millele kasutaja peab erilist tähelepanu pöörama:

- Vibratsioonist põhjustatud vigastused. Hoidke seadet selleks ette nähtud käepidemetest ja piirake töö- ning toimeaega.
- Mürasaaste võib põhjustada kuulmekahjustusi. Kandke kuulmekaitset ja piirake toimeaega.
- Mustuseosakestest põhjustatud silmavigastused. Kandke alati kaitseprille, vastupidavaid pikki pükse, kindaid ning tugevaid jalatseid.
- Mürgiste tolmu sissehingamine

## LIITIUMIOONAKUDE JUHISED

### Liitiumioonakude kasutus

Pikemat aega mittekasutatud akusid laadige veel enne kasutamist.

Temperatuur üle 50 °C vähendab aku töövõimet. Vältige pikemat soojenemist päikese või kütteseadme mõjul.

Hoidke laadija ja aku ühenduskontaktid puhtad.

Optimaalse patarei eluea tagamiseks, pärast kasutamist lae patareiplokk täielikult.

Akud tuleks võimalikult pika kasutusea saavutamiseks pärast täislaadimist laadijast välja võtta.

Aku ladustamisel üle 30 päeva:

Ladustage akut kuivas kohas u 27°C juures.

Ladustage akut u 30-50% laetusesisundis.

Laadige aku iga 6 kuu tagant täis.

### Liitiumioonakude ülekoormuskaitse

Aku ülekoormamisel kõrge voolutarbimisega, nt puuri blokeerumisel, äkilisel seiskumisel, lühise tekkimisel või ülikõrgetel pööretel, vibreerib elektritööriist 5 sekundit, laadimistuli vilgub ja tööriist lülitub automaatselt välja.

Uuesti sisse lülitamiseks tuleb päästik esmalt vabastada ning seejärel uuesti alla suruda.

Ülisuurel koormusel võib aku kuumeneda kõrgete temperatuurideni. Sellisel juhul vilguvad kõik laadimistulukesed kuni aku jahtumiseni. Peale laadimistulukeste kustumist võite tööd jätkata.

### Liitiumioonakude transport

Liitiumioonakud on allutatud ohtlike ainete transportimisega seonduvatele õigusaktidele.

Nende akude transportimine peab toimuma kohalikest, siseriiklikest ja rahvusvahelistest eeskirjadest ning määrustest kinni pidades.

- Tarbijad tohivad neid akusid edasiste piiranguteta tänaval transportida.
- Liitiumioonakude kommertstransport ekspedeerimistevõtete

kaudu on allutatud ohtlike ainete transportimisega seonduvatele õigusaktidele. Tarne-ettevalmistusi ja transporti tohivad teostada eranditult vastavalt koolitatud isikud. Kogu protsessi tuleb asjatundlikult jälgida.

Akude transportimisel tuleb järgida järgmisi punkte:


- Tehke kindlaks, et kontaktid on lühiste vältimiseks kaitstud ja isoleeritud.
- Pöörake tähelepanu sellele, et akupakk ei saaks pakendis nihkuda.
- Kahjustatud või välja voolanud akusid ei tohi kasutada.

Pöörduge edasiste juhiste saamiseks ekspedeerimistevõtete poole.

## TÖÖJUHISED

Puurimisel või löömisel ärge rakendage ülemäärast jõudu. Laske puurvarasal enda eest töötada.

## AUTOSTOP

 Tagasilöögifunktsioon AUTOSTOP™ tuvastab puuri kinnijäämise. Märgutuli vilgub ja elektroonikasüsteem lülitab puurvarasara välja. Laske sisselülitamiseks lülitusnupp lahti ja vajutage seda uuesti.

## TÖÖTAMINE KÜLMAGA

Kui masinat hoitakse pikema perioodi jooksul madalatel temperatuuridel, võib määre kõvaks muutuda ja võib juhtuda, et masin ei pruugi alguses töötada või on võimsus liiga väike. Kui see juhtub:

- asetage masinasse puur või meisel;
- asetage masin betoonist jääkosale;
- vajutage lülitit iga paari sekundi järel alla ja laske uuesti lahti.

Masina tavapärase lööginäht 15 sekundit kuni 2 minutit. Mida külmem on masin, seda kauem toimub ülessoojenemine.

## PUHASTUS

Hoidke masina õhutuspilud alati puhtad.

## HOOLDUS

Läbikulunud süsiharjade puhul tuleks klienditeenindustöökojas lisaks süsiharjade vahetusele teha ka hooldus. See pikendab masina eluiga ja tagab pideva käitamisvalmiduse.

Kasutage ainult Milwaukee tarvikuid ja Milwaukee tagavaraosi. Detailid, mille väljavahetamist pole kirjeldatud, laske välja vahetada Milwaukee klienditeeninduspunktis (vaadake brošüüri garantii / klienditeeninduste aadressid).

Vajadusel saab nõuda seadme plahvatusjoonise võimsussildil oleva masinatüübi ja kuuekohalise numbrilise klienditeeninduspunkti või vahetult firmalt Techtronic Industries GmbH, Max-Eyth-Straße 10, 71364 Winnenden, Germany.

## SÜMBOLID

	Palun lugege enne käikulaskmist kasutusjuhend hoolikalt läbi.
	ETTEVAATUST! TÄHELEPANU! OHUD!
	Enne kõiki töid masina kallal võtke vahetatav aku välja.
	Masinaga töötades kandke alati kaitseprille.
	Kandke kaitseks kõrvaklappe!
	Kanda sobivat kaitsemaski.
	Kanda kaitsekindaid!
	Vibratsioonivastane süsteem vähendab masina käepideme vibreerimist.
	Tarvikud - ei kuulu tarne komplekti, soovitatav täiendus on saadaval tarvikute programmis.
	Elektriseadmeid, patareisid/akusid ei tohi utiliseerida koos majapidamisprügiga. Elektriseadmed ja akud tuleb eraldi kokku koguda ning kõrvaldada keskkonnasõbralikul moel töötlemiskeskusesse. Küsige infot jäätmekäitlusjaamade ja kogumispunktide kohta oma kohalike ametnike või edasimüüja käest.
	Pöörete arv tühikäigul
	Pinge
	Alalisvool
	Euroopa vastavusmärk
	Ühendkuningriigi vastavusmärgis
	Ukraina vastavusmärk
	Euraasia vastavusmärk

ТЕХНИЧЕСКИЕ ДАННЫЕ	M18 FH	M18 FHx
Модель	Акк. перфоратор	Акк. перфоратор
Серийный номер изделия	4831 62 01 XXXXXX MJJJJ	4831 72 01 XXXXXX MJJJJ
Вольтаж аккумулятора	18 V ---	18 V ---
Сила одиночного удара	2,5 J	2,5 J
Число оборотов без нагрузки	0-1330 min <sup>-1</sup>	0-1330 min <sup>-1</sup>
Количество ударов при нагрузке (макс.)	0-4800 min <sup>-1</sup>	0-4800 min <sup>-1</sup>
Диаметр горловины патрона	46 mm	46 mm
Производительность сверления в бетон	26 mm	26 mm
Производительность сверления в стали	13 mm	13 mm
Производительность сверления в дерево	28 mm	28 mm
Легкое сверление при помощи коронки в кирпиче и известняке	65 mm	65 mm
Вес согласно процедуре ЕРТА 01/2014 ((2,0 Ah ... 12,0 Ah))	3,4 kg ... 4,4 kg	3,6 kg ... 4,6 kg
Рекомендованная температура окружающей среды во время работы	-18...+50 °C	
Рекомендованные типы аккумуляторных блоков	M18B...; M18HB...	
Рекомендованные зарядные устройства	M12-18...; M1418C6	

**Информация по шумам:** Значения замерялись в соответствии со стандартом EN 60745.

Уровень шума прибора, определенный по показателю A, обычно составляет:

Уровень звукового давления / Небезопасность K	92,6 dB(A) / 3 dB(A)	92,6 dB(A) / 3 dB(A)
Уровень звуковой мощности / Небезопасность K	103,6 dB(A) / 3 dB(A)	103,6 dB(A) / 3 dB(A)

#### Используйте наушники!

**Информация по вибрации:** Общие значения вибрации (векторная сумма трех направлений) определены в соответствии с EN 60745.

Значение вибрационной эмиссии  $a_{h,iso}$  / Небезопасность K

Сверление Бетон ( $a_{h,iso}$ )	12,9 m/s <sup>2</sup> / 1,5 m/s <sup>2</sup>	12,9 m/s <sup>2</sup> / 1,5 m/s <sup>2</sup>
Вырубка ( $a_{h,iso}$ )	14,2 m/s <sup>2</sup> / 1,5 m/s <sup>2</sup>	14,2 m/s <sup>2</sup> / 1,5 m/s <sup>2</sup>

#### ВНИМАНИЕ!

Заявленные значения вибрации и шумового излучения, указанные в настоящем информационном листе, были измерены согласно стандартизированному методу испытания согласно EN 60745 и могут использоваться для сравнения одного инструмента с другим. Они могут применяться для предварительной оценки воздействия на организм человека.

Указанные значения вибрации и шумового излучения действительны для основных областей применения инструмента. Однако если инструмент используется в других областях применения или с другими принадлежностями либо проходит ненадлежащее обслуживание, значения вибрации и шумового излучения могут отличаться. Это может существенно увеличить уровень воздействия на организм на протяжении общего периода работы.

При оценке уровня воздействия вибрации и шумового излучения на организм также необходимо учитывать периоды, когда инструмент выключен, или когда он работает, но фактически не используется для выполнения работы. Это может существенно сократить уровень воздействия на организм на протяжении общего периода работы.

Определите дополнительные меры для защиты оператора от воздействия вибрации и/или шума, такие как обслуживание инструмента и его принадлежностей, сохранение рук в тепле, организация графиков работы.

**ПРЕДУПРЕЖДЕНИЕ!** Прочтите все указания по безопасности и инструкции. Ущепления, допущенные при не соблюдении указаний и инструкций по технике безопасности, могут стать причиной электрического поражения, пожара и тяжелых травм. **Сохраняйте эти инструкции и указания для будущего использования.**

#### УКАЗАНИЯ ПО ТЕХНИКЕ БЕЗОПАСНОСТИ ПРИ РАБОТЕ С ПЕРФОРАТОР

**Используйте наушники!** Воздействие шума может привести к потере слуха.

**Используйте вспомогательные рукоятки, поставляемые вместе с инструментом.** Потеря контроля может стать причиной травмы.

**Если Вы выполняете работы, при которых режущий инструмент может зацепить скрытую электропроводку кабель, инструмент следует держать за специально предназначенные для этого изолированные поверхности.** Контакт режущего инструмента с токоведущим проводом может ставить под напряжение металлические части прибора, а также приводить к удару электрическим током.

#### ДОПОЛНИТЕЛЬНЫЕ УКАЗАНИЯ ПО БЕЗОПАСНОСТИ И РАБОТЕ

Пользоваться средствами защиты. Работать с инструментом всегда в защитных очках. Рекомендуется спецодежда: пылезащитная маска, защитные перчатки, прочная и нескользящая обувь, каска и наушники.

Пыль, возникающая при работе данным инструментом, может нанести вред здоровью. Не следует допускать её попадания в организм. Надевайте противопылевой респиратор.

Запрещается обрабатывать материалы, которые могут нанести вред здоровью (напр., асбест).

При блокировании используемого инструмента немедленно выключить прибор! Не включайте прибор до тех пор, пока используемый инструмент заблокирован, в противном случае может возникнуть отдача с высоким реактивным моментом. Определите и устраните причину блокирования используемого инструмента с учетом указаний по безопасности.

Возможными причинами могут быть:

- перекос заготовки, подлежащей обработке
- разрушение материала, подлежащего обработке
- перегрузка электроинструмента

Не прикасаться к работающему станку.

Используемый инструмент может нагреваться во время применения.

**ВНИМАНИЕ!** Опасность получения ожога

- при смене инструмента
- при укладывании прибора

Не убирайте опилки и обломки при включенном инструменте.

При работе в стенах, потолках или полу следите за тем, чтобы не повредить электрические кабели или водопроводные трубы.

Зафиксируйте вашу заготовку с помощью зажимного приспособления. Незафиксированные заготовки могут привести к тяжелым травмам и повреждениям.

Выньте аккумулятор из машины перед проведением с ней каких-либо манипуляций.

Не выбрасывайте использованные аккумуляторы вместе с домашним мусором и не сжигайте их. Дистрибьюторы компании Milwaukee предлагают восстановление старых аккумуляторов, чтобы защитить окружающую среду.

Не храните аккумуляторы вместе с металлическими предметами во избежание короткого замыкания.

Для зарядки аккумуляторов модели M18 используйте только зарядным устройством M18. Не заряжайте аккумуляторы других систем.

Никогда не вскрывайте аккумуляторы или зарядные устройства и храните их только в сухих помещениях. Следите, чтобы они всегда были сухими.

Аккумуляторная батарея может быть повреждена и дать течь под воздействием чрезмерных температур или повышенной нагрузки. В случае контакта с аккумуляторной кислотой немедленно промойте место контакта мылом и водой. В случае попадания кислоты в глаза промойте глаза в течение 10 минут и немедленно обратитесь за медицинской помощью.

**Предупреждение!** Для предотвращения опасности пожара в результате короткого замыкания, травм и повреждения изделия не опускайте инструмент, сменный аккумулятор или зарядное устройство в жидкости и не допускайте попадания жидкостей внутрь устройств или аккумуляторов. Коррозионные и проводящие жидкости, такие как соленый раствор, определенные химикаты, отбеливающие средства или содержащие их продукты, могут привести к короткому замыканию.

#### ИСПОЛЬЗОВАНИЕ

Аккумуляторный перфоратор может использоваться для ударного сверления и простого сверления в дереве, металле и пластике.

Не пользуйтесь данным инструментом способом, отличным от указанного для нормального применения.

#### ОСТАТОЧНЫЕ РИСКИ

Даже при надлежащем использовании нельзя исключить все остаточные риски. При использовании могут возникнуть такие опасности, на которые пользователь должен обратить особое внимание:

- Травмы вследствие вибрации. Держите прибор за предусмотренные для этого рукоятки и ограничивайте время работы и экспозиции.
- Шумовое воздействие может привести к повреждению слуха. Носите защитные наушники и ограничивайте продолжительность экспозиции.
- Травмы глаз, вызванные частицами загрязнений. Всегда надевайте защитные очки, плотные длинные брюки, рукавицы и прочную обувь.
- Вдыхание ядовитой пыли.

#### УКАЗАНИЯ ДЛЯ ЛИТИЙ-ИОННЫХ АККУМУЛЯТОРОВ

##### Использование литий-ионных аккумуляторов

Перед использованием аккумулятора, которым не пользовались некоторое время, его необходимо зарядить.

Температура выше 50°C снижает работоспособность аккумулятора. Избегайте продолжительного нагрева или прямого солнечного света (риск перегрева).

Контакты зарядного устройства и аккумулятора должны содержаться в чистоте.

Для обеспечения оптимального срока службы аккумулятор необходимо полностью заряжать после использования прибора.

Для достижения максимально возможного срока службы аккумулятора после зарядки следует вынимать из зарядного устройства.

При хранении аккумулятора более 30 дней: Храните аккумулятор при 27°C в сухом месте. Храните аккумулятор с зарядом примерно 30% - 50%. Каждые 6 месяцев аккумулятор следует заряжать.

##### Защита литий-ионных аккумуляторов от перегрузки

В случае перегрузки аккумулятора по причине слишком большого потребления электроэнергии, например, при экстремально большом крутящем моменте, заклинивании сверла, внезапной остановке или коротком замыкании, электроприбор вибрирует в течение 5 секунд, загорается индикатор заряда аккумулятора и электроприбор автоматически выключается. Для повторного включения следует отжать кнопку включения и потом снова включить. При слишком высоких нагрузках аккумулятор перегревается. В этом случае загорятся все лампы индикатора заряда аккумулятора. Когда аккумулятор остынет и лампы погаснут — можно продолжать работу.

##### Транспортировка литий-ионных аккумуляторов

Литий-ионные аккумуляторы в соответствии с предписаниями закона транспортируются как опасные грузы.

Транспортировка этих аккумуляторов должна осуществляться с соблюдением местных, национальных и международных предписаний и положений.

- Эти аккумуляторы могут перевозиться по улице потребителем без дальнейших обязательств.
- При коммерческой транспортировке литий-ионных аккумуляторов экспедиторскими компаниями действуют положения, касающиеся транспортировки опасных грузов. Подготовка к отправке и транспортировка должны производиться исключительно специально обученными лицами. Весь процесс должен находиться под контролем специалиста.

При транспортировке аккумуляторов необходимо соблюдать следующие пункты:

- Убедитесь, что контакты защищены и изолированы во избежание короткого замыкания.
- Следите за тем, чтобы аккумуляторный блок не соскользнул внутри упаковки.
- Транспортировка поврежденных или протекающих аккумуляторов запрещена.

За дополнительными указаниями обратитесь к своему экспедитору.

#### УКАЗАНИЯ ПО РАБОТЕ

При сверлении или использовании молотка не прикладывать чрезмерных усилий. Перфоратор рассчитан на работу без приложения посторонней силы.

#### АВТОМАТИЧЕСКИЙ ОСТАНОВ

**AUTOSTOP** Функция обратного хода AUTOSTOP™ распознает заклинивание сверла. Световой индикатор мигает, и электронное оборудование отключает перфоратор. Для включения отпустить и снова

нажать нажимной переключатель.

## РАБОТА В УСЛОВИЯХ ХОЛОДА

Если машина хранилась в течение продолжительного времени или при низкой температуре, смазка может затвердеть, и машина может сначала не работать, или производительность может быть чрезмерно низкой. В этом случае:

1. Вставить в машину сверло или долото.
2. Поставить машину на кусок бетона.
3. Нажимать и отпускать кнопку-курок каждые несколько секунд.

Через промежуток времени от 15 секунд до 2 минут машина сможет работать в обычном режиме. Чем ниже температура машины, тем дольше будет длиться прогревание.

## ОЧИСТКА

Всегда держите охлаждающие отверстия чистыми.

## ОБСЛУЖИВАНИЕ

При износе угольных щеток, в дополнение к замене щеток инструмент следует проверить в сервисном центре. Это обеспечит долгий срок эксплуатации, а также постоянную готовность инструмента к работе.

Пользуйтесь аксессуарами и запасными частями Milwaukee. В случае возникновения необходимости в замене, которая не была описана, обращайтесь в один из сервисных центров по обслуживанию электроинструментов Milwaukee (см. список сервисных организаций).

При необходимости, у сервисной службы или непосредственно у фирмы Techtronic Industries GmbH, Max-Eyth-Straße 10, 71364, Винненден, Германия, можно запросить сборочный чертеж устройства, сообщив его тип и шестизначный номер, указанный на фирменной табличке.

## СИМВОЛЫ

	Пожалуйста, внимательно прочтите инструкцию по использованию перед началом любых операций с инструментом.
	<b>ВНИМАНИЕ! ПРЕДУПРЕЖДЕНИЕ! ОПАСНОСТЬ!</b>
	Выньте аккумулятор из машины перед проведением с ней каких-либо манипуляций.
	При работе с инструментом всегда надевайте защитные очки.
	Пользуйтесь приспособлениями для защиты слуха.
	Надевайте противопылевой респиратор.
	Надевать защитные перчатки!
	Антивибрационная система гасит вибрации аппарата на рукоятке.
	Принадлежности - В стандартную комплектацию не входит, поставляется в качестве дополнительной принадлежности.

	Электроприборы, батареи/аккумуляторы запрещено утилизировать вместе с бытовым мусором. Электрические приборы и аккумуляторы следует собирать отдельно и сдавать в специализированную компанию для утилизации в соответствии с нормами охраны окружающей среды. Получите в местных органах власти или у вашего специализированного дилера сведения о центрах вторичной переработки и пунктах сбора.
	Частота вращения на холостом ходу
	Напряжение
	Постоянный ток
	Европейский знак соответствия
	Британский знак соответствия
	Украинский знак соответствия
	Евразийский знак соответствия

ТЕХНИЧЕСКИ ДАННИ	M18 FH	M18 FHx
Тип	Аккумуляторен перфоратор	Аккумуляторен перфоратор
Производствен номер	4831 62 01 XXXXXX MJJJ	4831 72 01 XXXXXX MJJJ
Напряжение на аккумулятора	18 V ---	18 V ---
Енергия на отделен удар	2,5 J	2,5 J
Обороти на празен ход	0-1330 min <sup>-1</sup>	0-1330 min <sup>-1</sup>
Макс. брой на ударите при натоварване	0-4800 min <sup>-1</sup>	0-4800 min <sup>-1</sup>
Диаметър на отвора на патронника	46 mm	46 mm
Диаметър на свредлото за бетон	26 mm	26 mm
Диаметър на свредлото за стомана	13 mm	13 mm
Диаметър на свредлото за дърво	28 mm	28 mm
Лека боркорона за обикновени и за силикатни тухли	65 mm	65 mm
Тегло съгласно процедурата EPTA 01/2014 ((2,0 Ah ... 12,0 Ah))	3,4 kg ... 4,4 kg	3,6 kg ... 4,6 kg
Препоръчителна околна температура при работа	-18...+50 °C	
Препоръчителни видове акумулаторни батерии	M18B...; M18HB...	
Препоръчителни зарядни устройства	M12-18...; M1418C6	
<b>Информация за шума:</b> Измерените стойности са получени съобразно EN 60745.		
Оцененото с А ниво на шума на уреда е съответно:		
Равнище на звуковото налягане / Несигурност К	92,6 dB(A) / 3 dB(A)	92,6 dB(A) / 3 dB(A)
Равнище на мощността на звука / Несигурност К	103,6 dB(A) / 3 dB(A)	103,6 dB(A) / 3 dB(A)
<b>Носете средство за защита на слуха.</b>		
<b>Информация за вибрациите:</b> Общите стойности на вибрациите (векторна сума на три посоки) са определени в съответствие с EN 60745.		
Стойност на емисии на вибрациите a <sub>h</sub> / Несигурност К		
Пробиване бетон (a <sub>h,HD</sub> )	12,9 m/s <sup>2</sup> / 1,5 m/s <sup>2</sup>	12,9 m/s <sup>2</sup> / 1,5 m/s <sup>2</sup>
Дълбаене (a <sub>h,Стекл</sub> )	14,2 m/s <sup>2</sup> / 1,5 m/s <sup>2</sup>	14,2 m/s <sup>2</sup> / 1,5 m/s <sup>2</sup>

## ВНИМАНИЕ!

Посочените в настоящия информационен лист нива на вибрации и шумови емисии са измерени в съответствие със стандартизирано изпитване, представено в EN 60745, и могат да се използват за сравняване на един инструмент с друг. Те може също така да се използват и за предварителна оценка на излагането на вредни въздействия.

Декларираните нива на вибрации и шумови емисии се отнасят за основните приложения на инструмента. Ако обаче инструментът се използва за други приложения, с други приспособления или не се поддържа добре, нивата на вибрации и шумови емисии могат да са различни. Това може значително да повиши нивото на излагане на вредни въздействия за общата продължителност на работата.

При оценка на нивото на излагане на въздействието на вибрации и шум следва също така да се вземе предвид времето, през което инструментът е изключен или през което е включен, но не се използва. Това може значително да понижи нивото на излагане на вредни въздействия за общата продължителност на работата.

Определете допълнителни мерки за безопасност за защита на оператора от въздействието на вибрациите и/или шума, като например поддръжка на инструмента и приспособленията, поддържането на топлината на ръцете и организацията на работата.

## ПРЕДУПРЕЖДЕНИЕ! Прочетете всички указания и напътствия за безопасност.

Пропуски при спазването на указанията и напътствията за безопасност могат да доведат до токов удар, пожар и/или тежки наранявания.

**Съхранявайте указанията и напътствията за безопасност за справка при нужда.**

## УКАЗАНИЯ ЗА БЕЗОПАСНОСТ ЗА ПЕРФОРАТОР

**Носете средство за защита на слуха. Въздействието на шума може да предизвика загуба на слуха.**

**Използвайте доставените с уреда допълнителни ръкохватки. Загубата на контрол може да доведе до наранявания.**

**Дръжте уреда за изолираните ръкохватки, когато извършвате работи, при които режещият инструмент може да засегне скрити електроинсталационни кабели.** Контактът на режещия инструмент с тоководещ проводник може да предаде напрежението върху метални части на уреда и да доведе до токов удар.

## ДОПЪЛНИТЕЛНИ УКАЗАНИЯ ЗА РАБОТА И БЕЗОПАСНОСТ

Да се използват предпазни средства. При работа с машината винаги носете предпазни очила. Препоръчват се защитно облекло и прахозащитна маска, защитни ръкавици, здрави и хеплъгащи се обувки, каска и предпазни средства за слуха.

Прахът, който се образува при работа, често е вреден за здравето и не бива да попада в тялото. Да се носи подходяща прахозащитна маска.

Не е разрешена обработката на материали, които представляват опасност за здравето (напр. азбест).

Ако използваният инструмент блокира, изключете веднага уреда! Не включвайте уреда отново, докато използваният инструмент е блокиран; това би могло да доведе до откат с висока реактивна сила. Открийте и отстранете причината за блокирането на използвания инструмент и майки в предвид инструкциите за безопасност.

Възможните причини за това могат да бъдат:

- Заклинване в обработваната част
- Пробиване на материала
- Пренатоварване на електрическия инструмент

Не бъркайте в машината, докато тя работи.

Използваният инструмент може да загрее по време на употреба.

**ВНИМАНИЕ!** Опасност от изгаряния

- при смяна на инструмента
- при оставяне на уреда

Стружки или отчупени парчета да не се отстраняват, докато машина работи.

При работа в стени, тавани или подове внимавайте за кабели, газопроводи и водопроводи.

Закрепете обработваната част с устройство за захващане. Незакрепени части за обработка могат да причинят сериозни наранявания и материални щети.

Преди започване на каквито е да работи по машината извадете акумулатора.

Не изхвърляйте изхабените акумулатори в огъня или в при битовите отпадъци. Milwaukee предлага екологосъобразно събиране на старите акумулатори; моля попитайте Вашия специализиран търговец.

Не съхранявайте акумулаторите заедно с метални предмети (опасност от късо съединение).

Акумулатори от системата M18 да се зареждат само със зарядни устройства от системата M18 laden. Да не се зареждат акумулатори от други системи.

Не отваряйте акумулатори и зарядни устройства и ги съхранявайте само в сухи помещения. Пазете ги от влага.

При екстремно натоварване или екстремна температура от повредени акумулатори може да изтече батерийна течност. При допир с такава течност веднага измийте с вода и сапун. При контакт с очите веднага изплаквайте старателно най-малко 10 минути и незабавно потърсете лекар.

**Предупреждение!** За да избегнете опасността от пожар, предизвикана от късо съединение, както и нараняванията и повредите на продукта, не поталяйте инструмента, сменяемата акумулаторна батерия или зарядното устройство в течности и се погрижете в уредите и акумулаторните батерии да не попадат течности. Течностите, предизвикващи корозия или провеждащи електричество, като солена вода, определени химикали, изобелващи вещества или продукти, съдържащи изобелващи вещества, могат да предизвикат късо съединение.

## ИЗПОЛЗВАНЕ ПО ПРЕДНАЗНАЧЕНИЕ

Акумулаторният перфоратор може да се използва универсално за перфориране в камък и за пробиване в дърво, метал и пластмаса, като не зависи от захранване от мрежата.

Този уред може да се използва по предназначение само както е посочено.

## ОСТАТЪЧНИ РИСКОВЕ

Дори при правилна употреба, остатъчните рискове не могат да бъдат изключени. При използване могат да възникнат следните опасности, за които обслужващият трябва да внимава:

- Наранявания, причинени от вибрации. Дръжте уреда за предвидените за целта ръкохватки и ограничавайте времето на работа и експозиция.
- Шумовото натоварване може да причини слухови увреждания. Носете защита за слуха и ограничете продължителността на експозицията.
- Наранявания на очите, причинени от замърсяващи частици. Винаги носете предпазни очила, здрави дълги панталони, ръкавици и стабилни обувки.
- Вдишване на отровни прахове.

## УКАЗАНИЯ ЗА ЛИТИЕВО-ЙОННИ АКУМУЛАТОРНИ БАТЕРИИ

### Употреба на литиево-йонни акумулаторни батерии

Акумулатори, които не са ползвани по-дълго време, преди употреба да се дозаредят.

Температура над 50°C намалява мощността на акумулатора. Да се избягва по-продължително нагряване на слънце или от отопление.

Поддържайте чисти присъединителните контакти на зарядното устройство и на акумулаторната батерия.

За оптимална продължителност на живот след употреба батериите трябва да се заредят напълно.

За възможно най-дълъг експлоатационен живот, акумулаторните батерии трябва след зареждане да се отстранят от зарядното устройство.

При съхранение на батериите за повече от 30 дни: съхранявайте батерията при прибл. 27°C и на сухо място. Съхранявайте батерията при 30 до 50 % от заряда. Зареждайте батерията на всеки 6 месеца.

### Защита от претоварване при литиево-йонни акумулаторни батерии

При претоварване на батерията вследствие на голямо потребление на енергия, например изключително високи въртящи моменти, блокиране на бургията (свредлото), внезапно спиране или късо съединение, електрическият инструмент вибрира в продължение на 5 секунди, мига индикаторът за зареждане и електрическият инструмент се изключва сам.

За да го включите повторно, освободете превключвателя и след това включете уреда. При екстремни натоварвания батерията се нагрява значително. В този случай всички светлини на индикатора за зареждане мигат дотогава, докато батерията се охлади. След изгасване на индикатора за зареждане можете да продължите работата с уреда.

### Транспортиране на литиево-йонни акумулаторни батерии

Литиево-йонните батерии са предмет на законовите разпоредби за превоз на опасни товари.

Превозът на тези батерии трябва да се извършва в съответствие с местните, националните и международните разпоредби и регламенти.

- Потребителите могат да превозват тези батерии по пътя без допълнителни изисквания.
- Превозът на литиево-йонни батерии от транспортни компании е предмет на законовите разпоредбите за превоз на опасни товари. Подготовката на превоза и самият превоз трябва да се извършват само от обучени лица. Целият процес трябва да е под професионален надзор.

Спазвайте следните изисквания при превоз на батерии:

- Уверете се, че контактите са защитени и изолирани, за да се избегне късо съединение.
- Уверете се, че няма опасност от разместване на батерията в опаковката.
- Не превозвайте повредени батерии или такива с течове.

Обърнете се към Вашата транспортна компания за допълнителни инструкции.

## УКАЗАНИЯ ЗА РАБОТА

При пробиване или разбиване не прилагайте прекалено усилие. Оставете перфоратора да работи вместо Вас.

## АВТОМАТИЧНО СПИРАНЕ

**AUTOSTOP** Функцията AUTOSTOP™ kickback разпознава заклещването на свредлото. Контролният индикатор мига и електрониката изключва перфоратора. За включване пуснете пусковия ключ и го натиснете отново.

## РАБОТА ПРИ СТУД

Когато машината се съхранява за по-продължителен период или при ниски температури, смазката може да се втвърди и е възможно в началото машината да не работи или ефективността и да е прекалено ниска. Ако това се случи:

- Поставете свредло или длето в машината.
- Поставете машината върху излишно парче бетон.
- Задействайте превключвателя през няколко секунди и отново

го отпускате.

След 15 секунди до 2 минути машината започва да разбива нормално. Колкото по-студена е машината, толкова по-дълго трае загряването.

## ПОЧИСТВАНЕ

Вентилационните шлицы на машината да се поддържат винаги чисти.

## ПОДДРЪЖКА


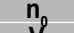






Ако въгленовите четки са износени, те трябва да се сменят и допълнително е необходим преглед в сервис. Това ще удължи експлоатационния срок на машината и гарантира постоянна експлоатационна готовност.

Да се използват само аксесоари на Milwaukee и резервни части на Milwaukee. Елементи, чията подмяна не е описана, да се дадат за подмяна в сервис на Milwaukee (вижте брошурата „Гаранция и адреси на сервиси“).

При необходимост можете да поискате схема на елементите на уреда при посочване на обозначение на машината и шестцифрения номер на табелката за технически данни от Вашия сервис или директно на Techtronic Industries GmbH, Max-Eyth-Straße 10, 71364 Winnenden, Германия.

## СИМВОЛИ

	Преди пускане на уреда в действие моля прочетете внимателно инструкцията за използване.
	<b>ВНИМАНИЕ! ПРЕДУПРЕЖДЕНИЕ! ОПАСНОСТ</b>
	Преди започване на каквито е да работи по машината извадете акумулатора.
	При работа с машината винаги носете предпазни очила.
	Да се носи предпазно средство за слуха!
	Да се носи подходяща прахозащитна маска.
	Да се носят предпазни ръкавици!
	Противовибрационната система намалява машинните вибрации над ръкохватката.
	Аксесоари - Не се съдържат в обема на доставката, препоръчвано допълнение от програмата за аксесоари.

	Електрическите уреди, батерии/акумулаторни батерии не трябва да се изхвърлят заедно с битовите отпадъци. Електрическите уреди и акумулаторни батерии трябва да се събират разделно и да се предават на службите за рециклиране на отпадъците според изискванията за опазване на околната среда. Информирайте се при местните служби или при местните специализирани търговци относно местата за събиране и центровете за рециклиране на отпадъци.
	Обороти на празен ход
	Напрежение
	Постоянен ток
	Европейски знак за съответствие
	Британски знак за съответствие
	Украински знак за съответствие
	Евро-азиатски знак за съответствие



DATE TEHNICE	M18 FH	M18 FHX
Tip	Ciocan rotopercurtor cu acumulator	Ciocan rotopercurtor cu acumulator
Număr producție	4831 62 01 XXXXXX MJJJJ	4831 72 01 XXXXXX MJJJJ
Tensiune acumulator	18 V ---	18 V ---
Putere impact singular	2,5 J	2,5 J
Viteza de mers în gol	0-1330 min <sup>-1</sup>	0-1330 min <sup>-1</sup>
Rata de percuție sub sarcină	0-4800 min <sup>-1</sup>	0-4800 min <sup>-1</sup>
Diametru gât mandrină	46 mm	46 mm
Capacitate de perforare în beton	26 mm	26 mm
Capacitate de găurire în oțel	13 mm	13 mm
Capacitate de găurire în lemn	28 mm	28 mm
Cuțit cu miez ușor în cărămizi și calcar	65 mm	65 mm
Greutatea conform „EPTA procedure 01/2014” ((2,0 Ah ... 12,0 Ah))	3,4 kg ... 4,4 kg	3,6 kg ... 4,6 kg
Temperatura ambiantă recomandată la efectuarea lucrărilor		-18...+50 °C
Accumulatori recomandați	M18B...; M18HB...	
Încărcătoare recomandate	M12-18...; M1418C6	

**Informație privind zgomotul:** Valori măsurate determinate conform EN 60745.

Nivelul de zgomot evaluat cu A al aparatului este tipic de:

Nivelul presiunii sonore / Nesiguranță K	92,6 dB(A) / 3 dB(A)	92,6 dB(A) / 3 dB(A)
Nivelul sunetului / Nesiguranță K	103,6 dB(A) / 3 dB(A)	103,6 dB(A) / 3 dB(A)

**Purtați aparatoare de urechi.**

**Informații privind vibrațiile:** Valorile totale de oscilație (suma vectorială pe trei direcții) determinate conform normei EN 60745.

Valoarea emisiei de oscilații a<sub>n</sub> / Nesiguranță K

Găurire în beton (a <sub>n,HD</sub> )	12,9 m/s <sup>2</sup> / 1,5 m/s <sup>2</sup>	12,9 m/s <sup>2</sup> / 1,5 m/s <sup>2</sup>
Dăltuire (a <sub>n,Cheq</sub> )	14,2 m/s <sup>2</sup> / 1,5 m/s <sup>2</sup>	14,2 m/s <sup>2</sup> / 1,5 m/s <sup>2</sup>

## AVERTISMENT!

Nivelul vibrației și emisiei de zgomot indicat în această fișă informativă a fost măsurat în conformitate cu o metodă standard de testare specificată în EN 60745 și se poate utiliza pentru a compara dispozitivele între ele. Acesta se poate utiliza și într-o evaluare preliminară a expunerii.

Nivelul declarat al vibrației și emisiei sonore reprezintă principalele aplicații ale dispozitivului. Cu toate acestea, dacă dispozitivul este utilizat pentru aplicații diferite, cu accesorii diferite sau întreținute necorespunzător, emisia de vibrații și zgomote poate diferi. Acest lucru poate crește semnificativ nivelul expunerii pe întreaga perioadă de lucru.

O estimare a nivelului de expunere la vibrații și zgomot ar trebui să țină cont și de momentele în care dispozitivul este oprit sau când funcționează, dar nu realizează de fapt nicio lucrare. Acest lucru poate reduce semnificativ nivelul expunerii pe întreaga perioadă de lucru.

Identificați măsurile de siguranță suplimentare pentru a proteja operatorul de efectele vibrațiilor și/sau zgomotului, cum ar fi: întreținerea dispozitivului și a accesoriilor, menținerea caldă a mâinilor, organizarea modelelor de lucru.

**AVERTISMENT! Citiți toate indicațiile de siguranță și toate instrucțiunile.** Nerespectarea indicațiilor de avertizare și a instrucțiunilor poate provoca electrocutare, incendii și/sau răni grave.

**Păstrați toate indicațiile de avertizare și instrucțiunile în vederea utilizărilor viitoare.**

## INSTRUCȚIUNI DE SECURITATE PENTRU CIOCAN ROTOPERCUTOR

**Purtați aparatoare de urechi. Expunerea la zgomot poate produce pierderea auzului.**

**Utilizați manerale auxiliare livrate cu scula. Pierderea controlului poate provoca rănirea persoanelor.**

**Țineți aparatul de mânerale izolate când executați lucrări la care scula tăietoare poate nimeri peste conductori electrici ascunși.** Intrarea în contact a sculei tăietoare cu o linie electrică prin care circulă curent poate pune sub tensiune și componente metalice ale aparatului și să ducă la electrocutare.

## INSTRUCȚIUNI SUPPLEMENTARE DE SIGURANȚĂ ȘI DE LUCRU

Folosiți echipament de protecție. Purtați întotdeauna ochelari de protecție când lucrați cu mașina. Se recomandă utilizarea hainelor de protecție ca de ex. Măști contra prafului, mănuși de protecție, încălțăminte stabilă nealunecoasă, cască și aparatoare de urechi.

Praful care apare când se lucrează cu această sculă poate fi dăunător sănătății și prin urmare nu trebuie să atingă corpul. Purtați o mască de protecție corespunzătoare împotriva prafului.

Nu se admite prelucrarea unui material care poate pune în pericol sănătatea operatorului (de exemplu azbestul).

La blocarea sculei demontabile vă rugăm să deconectați imediat aparatul! Nu conectați aparatul atâta timp cât scula demontabilă este blocată; dacă o faceți, s-ar putea să se producă un recul cu un cuplu mare de reacție. Găsiți și remediați cauza de blocare a sculei demontabile respectând indicațiile pentru siguranță.

Cauzele posibile pot fi:

- Agățarea în piesa de prelucrat
- Străpungerea materialului de prelucrat
- Suprasolicitarea sculei electrice

Nu atingeți părțile mașinii aflate în rotație.

Scula introdusă poate să devină fierbinte în timpul utilizării.

**AVERTISMENT!** Pericol de arsuri

- la schimbarea sculei
- la depunerea aparatului

Rumegușul și spanul nu trebuie îndepărtate în timpul funcționării mașinii.

Când se lucrează pe pereți, tavan sau dușumea, aveți grijă să evitați cablurile electrice și țevile de gaz sau de apă.

Asigurați piesa de prelucrat cu un dispozitiv de fixare. Piese neasigurate pot provoca accidente grave și stricăciuni.

Îndepărtați acumulatorul înainte de începerea lucrului pe mașina

Nu aruncați acumulatorii uzați la containerul de reziduri menajere și nu îi ardeți. Milwaukee Distributors se oferă să recupereze acumulatorii vechi pentru protecția mediului înconjurător.

Nu depozitați acumulatorul împreună cu obiecte metalice (risc de scurtcircuit)

Folosiți numai încărcătoare System M18 pentru încărcarea acumulatorilor System M18. Nu folosiți acumulatori din alte sisteme.

Nu deschideți niciodată acumulatorii și încărcătoarele și pastrați-le numai în încăperi uscate. Pastrați-le întotdeauna uscate.

Acidul se poate scurge din acumulatorii deteriorați la încălziri sau temperaturi extreme. În caz de contact cu acidul din acumulator, spălați imediat cu apă și săpun. În caz de contact cu ochii, clătiți cu atenție timp de cel puțin 10 minute și apelați imediat la îngrijire medicală.

**Avertizare!** Pentru a reduce pericolul unui incendiu și evitarea rănilor sau deteriorarea produsului în urma unui scurtcircuit nu imersați scula, acumulatorul de schimb sau încărcătorul în lichide și asigurați-vă să nu pătrundă lichide în aparate și acumulatori. Lichidele corosive sau cu conductibilitate, precum apa sărată, anumite substanțe chimice și înalbitori sau produse ce conțin înalbitori, pot provoca un scurtcircuit.

## CONDIȚII DE UTILIZARE SPECIFICATE

Ciocanul rotopercurtor cu acumulator poate fi folosit la perforări și găuriri în lemn, metal și plastic, pentru utilizare independentă departe de surse de alimentare.

Nu utilizați acest produs în alt mod decât cel stabilit pentru utilizare normală

## RISCURI REZIDUALE

Excluderea tuturor pericolelor reziduale nu este posibilă chiar și în condiții de utilizare corectă a mașinii. În timpul utilizării pot apărea următoarele pericole, de care utilizatorul ar trebui să țină seama:

- Accidentări provocate de vibrații.  
Țineți aparatul de mânerale prevăzute în acest scop și reduceți timpul de lucru și de expunere.
- Poluarea fonică poate duce la vătămarea auzului.  
Purtați căști antifonice și reduceți durata expunerii.
- Afecțiuni oculare cauzate de particulele de impurități.  
Purtați întotdeauna ochelari de protecție, pantaloni lungi rezistenți, mănuși și încălțăminte robustă.
- Inhalare de pulberi toxice.

## INDICAȚII PENTRU ACUMULATORII LI-ION

### Utilizarea acumulatorilor Li-ion

Accumulatorii care nu au fost utilizați o perioadă de timp trebuie reîncărcați înainte de utilizare

Temperatura mai mare de 50°C reduce performanța acumulatorului. Evitați expunerea prelungită la căldură sau radiație solară (risc de supraîncălzire)

Contactele încărcătoarelor și acumulatorului trebuie păstrate curate.

În scopul optimizării duratei de funcționare, bateriile trebuie reîncărcate complet după utilizare.

Pentru o durată de viață cât mai lungă, acumulatorii ar trebui scoși din încărcător după încărcare.

La depozitarea acumulatorilor mai mult de 30 zile: Accumulatorii se depozitează la cca. 27°C și la loc uscat. Accumulatorii se depozitează la nivelul de încărcare de cca. 30%-50%. Accumulatorii se încarcă din nou la fiecare 6 luni.

### Protecție la suprasarcină la acumulatorii Li-ion

În cazul unei suprasolicitări a acumulatorului datorită unui consum excesiv de curent electric, de ex. datorită unor momente de turaj extrem de înalte, a prinderii burghiului, a unei opriri subite sau a unui scurt circuit, scula electrică trepidează timp de 5 secunde, indicația stării de încărcare pâlpâie și scula electrică se deconectează de la

sine. Pentru reconectare dați drumul întrerupătorului și conectați din nou. În cazul unor sarcini extreme, acumulatorul se încinge prea tare. În acest caz toate lămpile indicației stării de încărcare pâlpâie până când acumulatorul s-a răcit. După ce indicația stării de încărcare s-a stins se poate lucra mai departe.

### Transportul acumulatorilor Li-ion

Accumulatorii cu ioni de litiu cad sub incidența prescripțiilor legale pentru transportul de mărfuri periculoase.

Transportul acestor acumulatori trebuie să se efectueze cu respectarea prescripțiilor și reglementărilor pe plan local, național și internațional.

- Consumatorilor le este permis transportul rutier nerestricționat al acestui tip de acumulatori.
- Transportul comercial al acumulatorilor cu ioni de litiu prin intermediul firmelor de expediție și transport este supus reglementărilor transportului de mărfuri periculoase. Pregătirile pentru expediție și transportul au voie să fie efectuate numai de către personal instruit corespunzător. Întregul proces trebuie asistat în mod competent.

Următoarele puncte trebuie avute în vedere la transportul acumulatorilor:

- Pentru a se evita scurtcircuite, asigurați-vă de faptul că sunt protejate și izolate contactele.
- Aveți grijă ca pachetul de acumulatori să nu poată aluneca în altă poziție în interiorul ambalajului său.
- Este interzis transportarea unor acumulatori deteriorați sau care pierd lichid.

Pentru indicații suplimentare adresați-vă firmei de expediție și transport cu care colaborați.

## INDICAȚII DE LUCRU

Nu utilizați o forță excesivă la perforare sau lovire. Lăsați ciocanul perforator să lucreze singur.

## AUTOSTOP

**AUTOSTOP** Funcția AUTOSTOP™-Kickback identifică o eventuală blocare a burghiului. Lampa de control clipește, iar sistemul electronic oprește ciocanul cu percuție. Pentru pomire, eliberați comutatorul și apăsați-l din nou.

## LUCRĂRI LA TEMPERATURI SCĂZUTE

Dacă mașina se depozitează o perioadă mai lungă sau la temperaturi scăzute, agentul de lubrifiere poate deveni vâscos și se poate întâmpla ca mașina să nu lucreze la început sau ca puterea să fie prea mică. Dacă se întâmplă acest lucru:

1. Introduceți un burghiu sau o daltă în mașină.
2. Așezați mașina pe o bucată de beton.
3. Acționați întrerupătorul la fiecare două secunde și eliberați-l la loc.

După 15 secunde până la 2 minute, mașina începe să lucreze normal. Cu cât este mai rece mașina, cu atât încălzirea durează mai mult.

## CURĂȚARE

Fantele de aerisire ale mașinii trebuie să fie menținute libere tot timpul

## ÎNȚEȚINERE

Nota importantă: dacă periile de carbon sunt uzate, în plus față de schimbarea perilor scula trebuie trimisă la service-ul post vânzare. Aceasta va asigura o viață lungă de lucru și performanțe de vârf.

Utilizați numai accesorii și piese de schimb Milwaukee. Dacă unele

дин компоненте care nu au fost descrise trebuie înlocuite , vă rugăm contactați unul din agenții de service Milwaukee (vezi lista noastră pentru service / garanți

Dacă este necesar, puteți solicita de la centrul dvs. de service pentru clienți sau direct la Techtronic Industries GmbH, Max-Eyth-Straße 10, 71364 Winnenden, Germania un desen descompus al aparatului prin indicarea tipului de aparat și a numărului cu șase cifre de pe tablita indicatoare.

## SIMBOLURI

	Va rugăm citiți cu atenție instrucțiunile înainte de pornirea mașinii
	PERICOLI! AVERTIZARE! ATENȚIE!
	Îndepărtați acumulatorul înainte de începerea lucrului pe mașina
	Purtați întotdeauna ochelari de protecție când utilizați mașina.
	Purtați căști de protecție
	Purtați o mască de protecție corespunzătoare împotriva prafului.
	Purtați mănuși de protecție!
	Sistemul antivibrații reduce vibrațiile dispozitivului la nivelul mânerului.
	Accesorii - Nu este inclus în echipamentul standard , disponibil ca accesoriu
	Aparatele electrice, bateriile/acumulatorii nu se elimină împreună cu deșeurile menajere. Aparatele electrice și acumulatorii se colectează separat și se predau la un centru de reciclare, în vederea eliminării ecologice. Informații-vă de la autoritățile locale sau de la comercianții acreditați în legătură cu centrele de reciclare și de colectare.
	Turație de mers în gol
	Tensiune
	Curent continuu
	Marcă de conformitate europeană
	Marcă de conformitate Regatul Unic
	Marcă de conformitate ucraineană
	Marcă de conformitate eurasiatică

ТЕХНИЧКИ ПОДАТОЦИ	M18 FH	M18 FHX
Тип на дизајн	Бормашина-чекан на батерии	Бормашина-чекан на батерии
Произведен број	4831 62 01 XXXXXX MJJJ	4831 72 01 XXXXXX MJJJ
Волтажа на батеријата	18 V ---	18 V ---
Единствена ударна сила	2,5 J	2,5 J
Брзина без оптоварување	0-1330 min <sup>-1</sup>	0-1330 min <sup>-1</sup>
Јачина на удар под оптоварување	0-4800 min <sup>-1</sup>	0-4800 min <sup>-1</sup>
Дијаметар на вратот на врв	46 mm	46 mm
Капацитет на дупчење во бетон	26 mm	26 mm
Капацитет на дупчење во челик	13 mm	13 mm
Капацитет на дупчење во дрво	28 mm	28 mm
Лесен јазолен сечач на тули и варовни карпи	65 mm	65 mm
Тежина според ЕПТА-процедурата 01/2014 ((2,0 Ah ... 12,0 Ah))	3,4 kg ... 4,4 kg	3,6 kg ... 4,6 kg
Препорачана температура на околината при работа		-18...+50 °C
Препорачани типови на акумулаторски батерии		M18B...; M18HB...
Препорачани полначи		M12-18...; M1418C6
<b>Информации за бучавата:</b> Измерените вредности се одредени согласно стандардот EN 60745.		
А-оценетото ниво на бучава на апаратот типично изнесува:		
Ниво на звучен притисок. / Несигурност К	92,6 dB(A) / 3 dB(A)	92,6 dB(A) / 3 dB(A)
Ниво на јачина на звук. / Несигурност К	103,6 dB(A) / 3 dB(A)	103,6 dB(A) / 3 dB(A)
<b>Носете штитник за уши.</b>		
<b>Информации за вибрации:</b> Вкупни вибрациски вредности (векторски збир на трите насоки) пресметани согласно EN 60745.		
Вибрациска емисиона вредност a <sub>v</sub> / Несигурност К		
Бушење во бетон со ударна дупчалка (a <sub>h,HD</sub> )	12,9 m/s <sup>2</sup> / 1,5 m/s <sup>2</sup>	12,9 m/s <sup>2</sup> / 1,5m/s <sup>2</sup>
Длетување (a <sub>h,Chisel</sub> )	14,2 m/s <sup>2</sup> / 1,5m/s <sup>2</sup>	14,2 m/s <sup>2</sup> / 1,5 m/s <sup>2</sup>

## ⚠ ПРЕДУПРЕДУВАЊЕ!

Нивото на вибрации и емисија на бучава дадени во овој информативен лист се измерени во согласност со стандардизиран метод на тестирање даден во EN 60745 и може да се користат за споредување на еден електричен алат со друг. Тие исто така може да се користат при првична проценка на изложеност.

Наведеното ниво на вибрации и емисија на бучава ја претставува главната примена на алатот. Сепак ако алатот се користи за поинакви примени, со поинаков прибор или лошо се одржува, вибрациите и емисијата на бучава може да се разликуваат. Тоа може значително да го зголеми нивото на изложеност преку целиот работен период.

Проценка на нивото на изложеност на вибрации и бучава треба исто така да се земе предвид кога е исклучен алатот или кога е вклучен, но не врши никаква работа. Тоа може значително да го намали нивото на изложеност преку целиот работен период.

Утврдете дополнителни безбедносни мерки за да се заштити операторот од ефектите и/или бучавата како на пр.: одржувајте го алатот и приборот, рацете нека ви бидат топли, организација на работните шеми.

**⚠ ВНИМАНИЕ! Прочитајте ги безбедносните напомени и упатства.** Заборавање на почитувањето на безбедносните упатства и инструкции можат да предизвикаат електричен удар, пожар и/или тешки повреди.  
**Сочувајте ги сите безбедносни упатства и инструкции за во иднина.**

## СИГУРНОСНИ НАПОМЕНИ ЗА БОРМАШИНА-ЧЕКАН

**Носете штитник за уши.** Изложеноста на бука може да предизвика губење на слухот.

**Користете помошни рачки кои доаѓаат заедно со алатот.** Губењето контрола може да предизвика повреда.

**Држете го електричниот алат за издадените површини при изведување на операции при кои алатот за сечење можат да дојдат во контакт со скриени жици.** Контакт со жица под напон исто така ќе направи проводници од металните делови и оној кој ракува со алатот ќе доживее струен удар.

## ОСТАНАТИ БЕЗБЕДНОСНИ И РАБОТНИ УПАТСТВА

Употребувајте заштитна опрема. При работа со машината постојано носете заштитни очила. Се препорачува заштитна облека како: маска за заштита од прашина, заштитни ракавици, цврсти чевли што не се лизгаат, кацига и заштита за уши.

Пршината која се создава при користење на овој алат може да биде штетна по здравјето. Не ја вдишувајте. Носете соодветна заштитна маска.

Не смеат да бидат обработувани материјали кои што можат да го загрозат здравјето (на пр. азбест).

Доколку употребуваното орудие се блокира, молиме веднаш да се исклучи апаратот! Не го вклучувајте апаратот повторно додека употребуваното орудие е блокирано; притоа би можело да дојде до повратен удар со висок момент на реакција. Испитајте и отстранете ја причината за блокирањето на употребеното орудие имајќи ги во предвид напомените за безбедност.

Можни причини би можеле да се:

- Заканување во парчето кое што се обработува
- Кршење поради продирање на материјалот кој што се обработува
- Преоптоварување на електричното орудие

Не фаќајте во машината кога работи.

Употребеното орудие за време на примената може да стане многу жешко.

**ПРЕДУПРЕДУВАЊЕ!** Опасност од изгоретини

- при менување на орудие
- при ставање на апаратот на страна

Прашината и струготините не смеат да се одстрануваат додека е машината работи.

Кога работите на сидови, таван или под внимавајте да ги

избегнете електричните, гасните и водоводни инсталации. Обезбедете го предметот кој што го обработувате со направа за напон. Необезбедени парчиња кои што се обработуваат можат да предизвикаат тешки повреди и оштетувања.

Извадете го батерискиот склоп пред отпочнување на каков и да е зафат врз машината.

Не ги оставајте искористените батерии во домашниот отпад и не горете ги. Дистрибутерите на Milwaukee ги собираат старите батерии, со што ја штитат нашата околина.

Не ги чувајте батериите заедно со метални предмети (ризик од краток спој).

Користете исклучиво Систем M18 за полнење на батерии од M18 систем. Не користете батерии од друг систем.

Не ги отворајте насилно батериите и полначите, и чувајте ги само на суво место. Чувајте ги постојано суви.

Киселината од оштетените батериите може да истече при екстрем напон или температури. Доколку дојдете во контакт со исатата, измијте се веднаш со сапун и вода. Во случај на контакт со очите плакнете ги убаво најмалку 10 минути и задолжително одете на лекар.

**Предупредување!** За да избегнете опасноста од пожар, од наранувања или од оштетување на производот, коишто ги создава краток спој, не ја потопувајте во течност алатката, заменливата батерија или полначот и пазете во уредите и во батериите да не проникнуваат течности. Корозивни или електроспроводливи течности, како солена вода, одредени хемикалии, избелувачки препарати или производи кои содржат избелувачки супстанции, можат да предизвикаат краток спој.

## СПЕЦИФИЦИРАНИ УСЛОВИ НА УПОТРЕБА

Вртливиот пневматски чекан може да биде употребен за дупчење и дупчење во дрво, метал како и пластика при независна употреба далеку од главното напојување.

Не го користете овој производ на било кој друг начин освен пропишаниот за нормална употреба.

## ПРЕОСТАНАТИ РИЗИЦИ

Дури и при уредна употреба на машината, не може да се исклучат сите преостанати ризици. При употребата може да настанат следните опасности, на кои операторот треба особено да внимава:

- Повреди предизвикани како последица на вибрации. Држете ја алатката за рацките предвидени за тоа и ограничете го времето на работа и експозиција.
- Изложеноста на бучава може да доведе до оштетување на слухот. Носете заштита за ушите и ограничете го траењето на експозицијата.
- Честичките нечистотија може да предизвикаат повреди на очите. Секогаш носете заштитни очила, долги пантолони, ракавици и цврсти чевли.
- Вдишување токсични прашина.

## УПАТСТВА ЗА ЛИТИУМ-ЈОНСКИ БАТЕРИИ

### Употреба на литиум-јонски батерии

Батриите кои не биле користени подолго време треба да се наполнат пред употреба.

Температура повисока од 50°C го намалуваат траењето на батериите. Избегнувајте подолго изложување на батериите на високи температури или сонце (ризик од прегревање).

Клемите на полначот и батериите мора да се одржуваат чисти.

За оптимален работен век батериите мора да се наполнат целосно по употреба.

За што е можно подолг век на траење, апаратите после нивно полно полнење треба да бидат извадени од полначот за батерии.

Во случај на складирање на батеријата подолго од 30 дена:

Акумулаторот да се чува на температура од приближно 27°C и на суво место.

Акумулаторот да се складира на приближно 30%-50% од состојбата на наполнетост.

Акумулаторот повторно да се наполни на секои 6 месеци.

### Заштита од преоптоварување на батеријата за литиум-јонски батерии

При преоптеретување на батеријата како резултат на мошне висока потрошувачка на струја, на пример екстремно високи вртежни моменти, заглавување на бургијата, ненадејно стопирање или краток спој, електро-алатот вибрира 5 секунди, приказот за полнење трепка и електро-алатот самостојно се исклучува.

За повторно вклучување ослободете го притискачот на прекинувачот, а потоа повторно вклучете. Во случај на екстремни оптоварувања батеријата се загрева премногу. Во таков случај трепкаат сите ламбички од приказот за полнење сè додека батеријата не се излади. По гаснење на приказот за полнење може да се продолжи со работа.

### Транспорт на литиум-јонски батерии

Литиум-јонските батерии подлежат на законските одредби за транспорт на опасни материи.

Транспортот на овие батерии мора да се врши согласно локалните, националните и меѓународните прописи и одредби.

- Потрошувачите на овие батерии може да вршат непречен патен транспорт на истите.
- Комерцијалниот транспорт на литиум-јонски батерии од страна на шпедитерски претпријатија подлежат на одредбите за транспорт на опасни материи. Подготовките за шпедиција и транспорт треба да ги вршат исклучиво соодветно обучени лица. Целокупниот процес треба да биде стручно надгледуван.

При транспортот на батерии треба да се внимава на следното:

- Осигурајте се дека контактите се заштитени и изолирани, а сето тоа со цел да се избегнат кратки споеви.
- Внимавајте да не дојде до изместување на батериите во нивната амбалажа.
- Забранет е транспорт на оштетени или протечени литиум-јонски батерии.

За понатамошни инструкции обратете се до Вашето шпедитерско претпријатие.

## РАБОТНИ УПАТСТВА

Не користете премногу сила при дупчење или ковање. Оставете ја ударната дупчалка да ја заврши работата за вас.

## АВТОМАТСКО СОПИРАЊЕ

**AUTOSTOP** Функцијата AUTOSTOP™-Kickback препознава врзување на бургијата. Контролното светло трепка и електрониката го исклучува ротирачкиот чекан. За да вклучите, ослободете го активаторот и повторно притиснете го.

## РАБОТА ВО СТУДЕНО

Ако машината е складирана на подолг временски период или на ниски температури, подмачкувањето може да се стврдне и машината може да не работи на почетокот или да има ниски перформанси. Ако тоа се случи:

1. Вметнете бургија или длето во машината.
2. Ставете ја машината на преостанато парче бетон.
3. Притискајте и ослободувајте го прекинувачот на неколку секунди.

По 15 секунди до 2 минути, машината ќе започне да разбива нормално. Колку е постудена машината, толку подолго треба да се загрее.

## ЧИСТЕЊЕ

Вентилациските отвори на машината мора да бидат комплетно отворени постојано.

## ОДРЖУВАЊЕ

Важна забелешка! Доколку карбонските четкички се истрошени, со цел истите да бидат заменети алатот треба да биде пратен во постпродажниот центар. Ова ќе обезбеди долг употребен век и највисоки перформанси.

Користете само Milwaukee додатоци и резервни делови. Доколку некои од компонентите кои не се опишани треба да бидат заменети, Ве молиме контактирајте ги сервисните агенти на Milwaukee (консултирајте ја листата на адреси).

При потреба може да се побара експлозионен цртеж на апаратот со наведување на машинскиот тип и шестоцифрениот број на табличката со учинокот или во Вашата корисничка служба или директно кај Techtronic Industries GmbH, Max-Eyth-Straße 10, 71364 Winnenden, Германија.

## СИМБОЛИ

	Ве молиме пред да ја стартувате машината обрнете внимание на упатствата за употреба.
	<b>ВНИМАНИЕ! ПРЕДУПРЕДУВАЊЕ! ОПАСНОСТ!</b>
	Извадете го батерискиот склоп пред отпочнување на каков и да е зафат врз машината.
	Секогаш при користење на машината носете ракавици.
	Носете штитник за уши.
	Не ја вдишувајте. Носете соодветна заштитна маска.
	Носете ракавици!
	Антивибрацискиот систем ги намалува вибрациите на машината на рачката.
	Дополнителна опрема - Не е вклучена во стандардната, а достапна е како додаток.
	Електричните апарати и батериите што се полнат не смеат да се фрлат заедно со домашниот отпад. Електричните апарати и батериите треба да се собираат одделно и да се однесат во соодветниот погон заради нивно фрлање во склад со начелата за заштита на околината. Информирајте се кај Вашите местни служби или кај специјализираниот трговски претставник, каде има такви погони за рециклажа и собирни станици.
	Вртежи на празен од
	Напон
	Истосмерна струја

	Европска ознака за сообразност
	Ознака за сообразност на ОК
	Украинска ознака за сообразност
	Евроазиска ознака за сообразност

ТЕХНІЧНІ ХАРАКТЕРИСТИКИ	M18 FH	M18 FHX
Тип конструкції	Акумуляторний перфоратор Акумуляторний перфоратор	
Номер виробу	4831 62 01 XXXXXX MJJJJ	4831 72 01 XXXXXX MJJJJ
Напруга змінної акумуляторної батареї	18 V ---	18 V ---
Енергія одного удару	2,5 J	2,5 J
Кількість обертів холостого ходу	0-1330 min <sup>-1</sup>	0-1330 min <sup>-1</sup>
Кількість ударів під навантаженням	0-4800 min <sup>-1</sup>	0-4800 min <sup>-1</sup>
Шийка затиску, Ø	46 mm	46 mm
Ø свердління бетону	26 mm	26 mm
Ø свердління сталі	13 mm	13 mm
Ø свердління деревини	28 mm	28 mm
Легка свердильна коронка для цегли та силікатної цегли	65 mm	65 mm
Вага згідно з процедурою ЕРТА 01/2014	3,4 kg ... 4,4 kg	3,6 kg ... 4,6 kg
Рекомендована температура довкілля під час роботи	-18...+50 °C	
Рекомендовані типи акумуляторів	M18B...; M18HB...	
Рекомендовані зарядні пристрої	M12-18...; M1418C6	

**Інформація про шум:** Вимірні значення визначені згідно з EN 60745.

Рівень шуму „А“ приладу становить в типовому випадку:

Рівень звукового тиску / похибка К

Рівень звукової потужності / похибка К

**Користуйтеся засобами захисту органів слуху.**

**Інформація щодо вібрації:** Сумарні значення вібрації (векторна сума трьох напрямків), встановлені згідно з EN 60745.

Значення вібрації a<sub>r</sub> / похибка К

Ударне свердління в бетоні (a<sub>h,hd</sub>)

Довбання (a<sub>h,shock</sub>)

	12,9 m/s <sup>2</sup> / 1,5 m/s <sup>2</sup>	12,9 m/s <sup>2</sup> / 1,5 m/s <sup>2</sup>
	14,2 m/s <sup>2</sup> / 1,5 m/s <sup>2</sup>	14,2 m/s <sup>2</sup> / 1,5 m/s <sup>2</sup>

## ⚠ ПОПЕРЕДЖЕННЯ!

Заявлені значення шумового випромінювання, вказані в цьому інформаційному аркуші, було виміряно відповідно до стандартизованого випробування згідно з EN 60745 та можуть використовуватися для порівняння одного інструмента з іншим. Вони також можуть використовуватися для попередньої оцінки рівня впливу на організм.

Вказані значення вібрації та шумового випромінювання дійсні для основних областей застосування інструмента. Якщо інструмент використовується в інших областях застосування чи з іншим приладдям або не проходить належне обслуговування, значення вібрації та шумового випромінювання можуть відрізнятись. Це може суттєво збільшити рівень впливу на організм протягом загального періоду роботи.

Під час оцінки рівня впливу вібрації та шумового випромінювання на організм також необхідно враховувати періоди, коли інструмент вимкнено, чи коли він працює, але фактично не використовується для виконання роботи. Це може суттєво знизити рівень впливу на організм протягом загального періоду роботи.

Визначте додаткові заходи для захисту оператора від впливу вібрації та/або шуму, наприклад, обслуговування інструмента та його приладдя, зберігання рук у теплі, організація графіків роботи.

## ⚠ ПОПЕРЕДЖЕННЯ! Прочитайте всі вказівки з техніки безпеки та інструкції.

Упущення при дотриманні вказівок з техніки безпеки та інструкцій можуть призвести до ураження електричним струмом, пожежі та/або тяжких травм.

**Зберігайте всі вказівки з техніки безпеки та інструкції на майбутнє.**

### ВКАЗІВКИ З ТЕХНІКИ БЕЗПЕКИ ДЛЯ ПЕРФОРАТОРА

**Користуйтеся засобами захисту органів слуху.** Вплив шуму може спричинити втрату слуху.

**Користуйтеся додатковими рукоятками, що поставляються разом з пристроєм, якщо вони входять в комплект поставки.** Втрата контролю може призвести до пошкодження.

**Під час виконання робіт тримайте прилад за ізольовані поверхні рукояток, якщо вставний інструмент може натрапити на приховані електричні лінії.**

Контакт з лінією під напругою може призвести до появи напруги в металевих частинах приладу та до ураження електричним струмом.

### ДОДАТКОВІ ІНСТРУКЦІ З ТЕХНІКИ БЕЗПЕКИ ТА ЕКСПЛУАТАЦІЇ

Використовуйте індивідуальні засоби захисту. Під час роботи з машиною завжди носіть захисні окуляри. Радимо використовувати захисний одяг, як наприклад маску для захисту від пилу, захисні рукавиці, міцне та нековзне взуття, каску та засоби захисту органів слуху.

Пил, що утворюється під час роботи, часто буває шкідливим для здоров'я; він не повинен потрапляти в організм. Носіть відповідну маску для захисту від пилу.

Не можна обробляти матеріали, небезпечні для здоров'я (наприклад, азбест).

При блокуванні вставного інструменту негайно вимкніть прилад! Не вмикайте прилад, якщо вставний інструмент заблокований, при цьому може виникати віддача з високим зворотнім моментом. Визначити та усунути причину блокування вставного інструменту з урахуванням вказівок з техніки безпеки.

Можливі причини:

- Перекив в заготовці, що обробляється
- Пробивання оброблюваного матеріалу
- Перевантаження електроінструмента

Частини тіла не повинні потрапляти в машину, коли вона працює.

Вставний інструмент може нагріватися під час роботи.

### ПОПЕРЕДЖЕННЯ! Безбезпека опіків

- при заміні інструменту
- при відкладанні приладу

Не можна видаляти стружку або уламки, коли машина працює.

Під час роботи на стінах, стелях або підлозі звертати увагу на електричні кабелі, газові та водопровідні лінії.

Зафіксувати заготовку в затисковому пристрої. Незакріплені заготовки можуть привести до тяжких травм та пошкоджень.

Перед будь-якими роботами на машині виїняти змінну акумуляторну батарею

Відпрацьовані знімні акумуляторні батареї не можна кидати у вогонь або викидати з побутовими відходами. Milwaukee пропонує утилізацію старих знімних акумуляторних батарей, безпечно для довкілля; зверніться до свого дилера.

Не зберігати знімні акумуляторні батареї разом з металевими предметами (небезпека короткого замикання).

Знімні акумуляторні батареї системи M18 заряджати лише зарядними пристроями системи M18. Не заряджати акумуляторні батареї інших систем.

Не відкривати знімні акумуляторні батареї і зарядні пристрої та зберігати їх лише в сухих приміщеннях. Берегти від вологи.

При екстремальному навантаженні або при екстремальній температурі з пошкодженої змінної акумуляторної батареї може витікати електроліт. При потрапленні електроліту на шкіру його негайно необхідно змити водою з милом. При потрапленні в очі їх необхідно негайно ретельно промити, щонайменше 10 хвилин, та негайно звернутися до лікаря.

**Попередження!** Для запобігання небезпеці пожежі в результаті короткого замикання, травмам і пошкодженню виробів не занурюйте інструмент, змінний акумулятор або зарядний пристрій у рідину і не допускайте потраплення рідини всередину пристроїв або акумуляторів. Корозійні і струмопровідні рідини, такі як солоний розчин, певні хімікати, вибілювальні засоби або продукти, що їх містять, можуть призвести до короткого замикання.

### ВИКОРИСТАННЯ ЗА ПРИЗНАЧЕННЯМ

Акумуляторний перфоратор можна використовувати універсально для ударного свердління каменю та для свердління деревини, металів та полімерних матеріалів незалежно від мережевого живлення.

Цей прилад можна використовувати тільки за призначенням так, як вказано в цьому документі.

### ЗАЛИШКОВІ РИЗИКИ

Навіть при належному використанні не можна виключити всі залишкові ризики. При використанні можуть виникнути такі небезпеки, на які користувач повинен звернути особливу увагу:

- Травми внаслідок вібрації. Тримайте прилад за передбачені для цього руків'я і обмежуйте час роботи та експозиції.
- Шумовий вплив може погіршити слух. Носіть захисні навушники і обмежуйте тривалість експозиції.
- Травми очей, викликані частинками забруднень. Завжди надягайте захисні окуляри, щільні довгі штани, рукавиці і міцне взуття.
- Вдихання отруйного пилу.

### ВКАЗІВКИ ЩОДО ЛІТІЙ-ІОННИХ АКУМУЛЯТОРІВ

**Застосування літій-іонних акумуляторів**

Акумуляторну батарею, що не використовувалася тривалий час, перед використанням необхідно підзарядити.

Температура понад 50 °C зменшує потужність акумуляторної батареї. Уникати тривалого нагрівання сонячними променями або системою обігріву.

З'єднувальні контакти зарядного пристрою та акумуляторної

батареї повинні бути чистими.

Для забезпечення оптимального строку експлуатації акумуляторні батареї після використання необхідно повністю зарядити.

Для забезпечення максимально можливого терміну експлуатації акумуляторні батареї після зарядки необхідно виймати з зарядного пристрою.

При зберіганні акумуляторної батареї понад 30 днів: Зберігати акумуляторну батарею при температурі приблизно 27 °C в сухому місці.

Зберігати акумуляторну батарею в стані зарядки приблизно 30-50 %.

Кожні 6 місяців знову заряджати акумуляторну батарею.

### Захист від перевантаження літій-іонних акумуляторів

У випадку перевантаження акумуляторної батареї внаслідок дуже високого споживання струму, наприклад, надмірно високого крутильного моменту, заклинювання свердла, раптової зупинки або короткого замикання, електроінструмент відріє 5 секунд, індикатор заряду блимає, електроінструмент самостійно вимикається.

Для повторного увімкнення відпустити кнопку вимикача і знов увімкнути.

При надмірних навантаженнях акумуляторна батарея сильно перегрівається. В цьому випадку всі лампочки індикатора заряду блимають, доки акумуляторна батарея не охолоне. Можна продовжити роботу після того, як індикатор заряду згасне.

### Транспортування літій-іонних акумуляторів

Літій-іонні акумуляторні батареї підпадають під законоположення про перевезення небезпечних вантажів.

Транспортування таких акумуляторних батарей повинно відбуватися із дотриманням місцевих, національних та міжнародних приписів та положень.

- споживачі можуть без проблем транспортувати ці акумуляторні батареї по вулиці.
- Комерційне транспортування літій-іонних акумуляторних батарей експедиторськими компаніями підпадає під положення про транспортування небезпечних вантажів. Підготовку до відправлення та транспортування можуть здійснювати виключно особи, які пройшли відповідне навчання. Весь процес повинні контролювати кваліфіковані фахівці.

При транспортуванні акумуляторних батарей необхідно дотримуватись зазначених далі пунктів:


- Переконайтеся в тому, що контакти захищені та ізольовані, щоб запобігти короткому замиканню.
- Слідкуйте за тим, щоб акумуляторна батарея не перемішувалася всередині упакувань.
- Пошкоджені акумуляторні батареї, або акумуляторні батареї, що потекли, не можна транспортувати.

Для отримання подальших вказівок звертайтеся до своєї експедиторської компанії.

### ВКАЗІВКИ ЩОДО ЕКСПЛУАТАЦІЇ

Не застосовуйте занадто багато сили під час свердління та відбивання молотком. Нехай перфоратор виконає роботу за вас.

### АВТОСТОП

 Функція запобігання віддачі AUTOSTOP™ розпізнає заклинювання свердла. Блимає сигнальна лампочка і електронна схема вимикає перфоратор. Для повторного увімкнення відпустіть кнопку куркового вимикача і знову натисніть.

### РОБОТА В ХОЛОДНИХ УМОВАХ

Якщо машина зберігається протягом тривалого часу чи за низької температури, її змащення може стати в'язким, і машина спочатку не зможе працювати, або її продуктивність буде

занадто низькою. Якщо це трапиться:

1. вставити свердло чи зубило в машину;
2. установити машину на уламок бетону;
3. затиснути важіль перемикача впродовж кількох секунд і відпустити.

Через 15 секунд і до 2 хвилин після машина починає нормально працювати. Що холодніше машина, то довше їй потрібно прогрітися.

## ЧИЩЕННЯ

Завжди підтримувати чистоту вентиляційних отворів.

## ОБСЛУГОВУВАННЯ

При зношенні вугільних щіток додатково до заміни щіток необхідно виконати сервісне обслуговування в сервісному центрі. Це підвищує термін експлуатації машини та гарантує постійну готовність до експлуатації.

Використовувати тільки комплектуючі та запчастини Milwaukee. Деталі, заміна яких не описується, замінювати тільки в відділі обслуговування клієнтів Milwaukee (зверніть увагу на брошуру „Гарантія / адреси сервісних центрів“).

У разі необхідності можна запросити креслення з зображенням вузлів машини в перспективному вигляді, для цього потрібно звернутися в ваш відділ обслуговування клієнтів або безпосередньо в Techtronic Industries GmbH, Max-Eyth-Straße 10, 71364 Winnenden, Німеччина, та вказати тип машини та шестизначний номер на фірмовій табличці з даними машини.

## СИМВОЛИ

	Уважно прочитайте інструкцію з експлуатації перед введенням приладу в дію.
	УВАГА! ПОПЕРЕДЖЕННЯ! НЕБЕЗПЕЧНО!
	Перед будь-якими роботами на машині вийняти змінну акумуляторну батарею
	Під час роботи з машиною завжди носити захисні окуляри.
	Використовувати засоби захисту органів слуху!
	Носити відповідну маску для захисту від пилу.
	Носити захисні рукавиці!
	Антивібраційна система зменшує вібрацію машини на ручці.
	Комплектуючі - не входять в обсяг постачання, рекомендовані доповнення з програми комплектуючих.

	Електроприлади, батареї/акумулятори заборонено утилізувати разом з побутовим сміттям. Електричні прилади і акумулятори слід збирати окремо і здавати в спеціалізовану компанію для утилізації відповідно до норм охорони довкілля. Зверніться до місцевих органів або до вашого дилера, щоб отримати адреси пунктів вторинної переробки та пунктів прийому.
	Кількість обертів холостого ходу
	Напруга
	Постійний струм
	Європейський знак відповідності
	Британський знак відповідності
	Український знак відповідності
	Євразійський знак відповідності

	يحظر التخلص من الأجهزة الكهربائية والبطاريات/البطاريات القابلة للشحن في القمامة المنزلية. يجب جمع الأجهزة الكهربائية والبطاريات القابلة للشحن منفصلة وتسليمها للتخلص منها بشكل لا يضر بالبيئة لدى شركة إعادة استغلال. الرجاء الاستفسار لدى الهيئات المحلية أو لدى التجار المتخصصين عن مواقع إعادة الاستغلال ومواقع الجمع.
	سرعة الدوران الجهد الكهربائي التيار المستمر
	علامة التوافق الأوروبية
	علامة الملائمة البريطانية
	علامة التوافق الأوكرانية
	علامة التوافق الأوروبية الآسيوية

البيانات الفنية	M18 FH	M18 FHX
الطرز	يُفلسال راود فيٲايرك قُطرطم	يُفلسال راود فيٲايرك قُطرطم
إنتاج عدد	4831 62 01 XXXXXX MJJJJ	4831 72 01 XXXXXX MJJJJ
فوطئية البطارية	18 V ---	18 V ---
طاقة تصادم أحادية	2,5 J	2,5 J
أقصى سرعة دون وجود حمل	0-1330 min <sup>-1</sup>	0-1330 min <sup>-1</sup>
معدل الحفر بالبق تحت الحمل	0-4800 min <sup>-1</sup>	0-4800 min <sup>-1</sup>
قُطر عنق الطرّف	46 mm	46 mm
قُدرة الحفر في الخرسانة	26 mm	26 mm
قُدرة الحفر في معدني	13 mm	13 mm
قُدرة الحفر في الخشب اللين	28 mm	28 mm
آلة القطع الأساسية الخفيفة للاستخدام مع الطوب والحجر الجيري	65 mm	65 mm
الوزن وفقا لنهج EPTA رقم 01/2014	3,4 kg ... 4,4 kg	3,6 kg ... 4,6 kg
درجة حرارة الجو المحيط المنصوح بها عند العمل	-18...+50 °C	-18...+50 °C
طرز البطارية المنصوح به	M18B...; M18HB...	M18B...; M18HB...
أجهزة الشحن المنصوح بها	M12-18...; M1418C6	M12-18...; M1418C6

#### معلومات الضوضاء:

القيم التي تم قياسها محددة وفقا للمعايير الأوروبية EN 60745

مستويات ضوضاء الجهاز، ترجيحاً بشكل نموذجي كالتالي:

مستوى ضغط الصوت / الارتياح في القياس

مستوى شدة الصوت / الارتياح في القياس

**ارتد واقيات الأذن.**

**معلومات الاهتزاز:** قيم الذبذبات الإجمالي (مجموع الكميات الموجهة في المحاور الثلاثة) محددة

وفقاً للمعايير الأوروبية EN 60745.

قيمة انبعاث الذبذبات (a<sub>B</sub>) / قيمة غير مؤكدة ك

الحفر بالمطرقة في الخرسانة (a<sub>B,HDB</sub>)

التحت (a<sub>B,Chisel</sub>)

## ⚠ تحذير!

تم قياس مستوى الاهتزاز وانبعاث الضوضاء الوارد في ورقة المعلومات هذه، وفقاً لاختبار قياسي محدد في المواصفة EN 60745، ويمكن استخدامه لمقارنة آلة مع أخرى.. كما يمكن استخدام ذلك أيضاً في إجراء تقييم أولي للتعرض.

يظل مستوى الاهتزاز وانبعاث الضوضاء المعط عن الاستخدامات الأساسية للآلة. ومع ذلك، إذا استُعملت الآلة في استخدامات مختلفة، أو لمحفلات مختلفة، أو تم صيانتها على نحو سيئ، فقد يختلف مستوى الاهتزاز وانبعاث الضوضاء. وهذا قد يزيد -إلى حد كبير- من مستوى التعرض خلال مدة العمل الإجمالية.

عند تقييم مستوى التعرض للاهتزاز والضوضاء، ينبغي أيضاً أن يوضع في الاعتبار فترات إطفاء الآلة أو تشتيتها دون أن تقوم بأي وظيفة فعلياً. فبإذا قد يقلل -إلى حد كبير- من مستوى التعرض خلال مدة العمل الإجمالية.

تعرف على تدابير السلامة الإضافية؛ لحماية المشغل من تأثيرات الاهتزاز أو الضوضاء أو كليهما، مثل: صيانة الآلة وملحقاتها، والحفاظ على دفء اليدين، وتنظيم نماذج العمل.

## ⚠ تحذير!

**اقرأ جميع تحذيرات السلامة وجميع التعليمات، بما فيها.**

قد يؤدي الفشل في مراعاة التحذيرات والتعليمات إلى التعرض للإصابة بصدمة كهربية أو

الحرق و/أو إصابة خطيرة.

**احفظ جميع التعليمات والتحذيرات والتعليمات للرجوع إليها مستقبلاً.**

#### تعليمات سلامة المثاقب

**ارتد واقيات الأذن.** قد يسبب التعرض للضوضاء فقدان السمع.

**استخدم المقابض الإضافية، إذا كانت مرفقة مع الآداة.** قد يسبب فقدان السيطرة حدوث إصابة شخصية.

**يجب الإمساك بالآلة الكهربائية من خلال أسطح القبض المعزولة وذلك عند القيام بعمله ما حيث قد تلامس أداة التثبيت أسلاك مخفية.**

تنسب ملامسة أحد ملحقات آلة القطع بمسلك كهربوي "موصلة" في جعل الأجزاء المعدنية المكشوفة بالآلة الكهربائية "موصلة" كهربئياً مما يجعل المشغل عرضة لصدمة كهربائية.

#### إرشادات أمان وعمل إضافية

استخدم معدة الوقاية. ارتد دائماً نظارة الوقاية عند العمل بالآلة. ينصح باستخدام الملابس الواقية مثل الكمادات الواقية من الغبار، والقفازات، والأحذية القوية غير المترلقة، والخوذات، وواقيات الأذن.

قد تكون الأتربة الناتجة عن استخدام هذه الآلة ضارة بالصحة. لا تستنشق هذه الأتربة. ارتد قناعاً واقياً من الأتربة مناسباً.

لا يجوز استخدام مواد ينجم عنها أضرار على الصحة (حبر صخري).

الرجاء إيقاف تشغيل الجهاز على الفور في حالة عرقلة أداة الاستعمال!

لا تقم بتشغيل الجهاز مرة أخرى، طالما أن الأداة الممتعلمة لازالت في حالة عرقلة؛ حيث يمكن أن يحدث هنا ارتداد عكسي مصحوب بقوة رد فعل عالية.

فورا.

**تحذير!** لتجنب أخطار الحرق أو الإصابة أو الإضرار بالمنتج التي تنتج عن الماس الكهربائي، لا تقم بالأداة أو البطارية القابلة للاستبدال أو جهاز الشحن في السوائل وأحرس على أن لا تصل السوائل إلى داخل الجهاز والبطارية. السوائل المودية للتآكل أو الموصلة للتيار الكهربائي، مثل الماء والملح ومركبات كيماوية معينة ومواد التبييض أو المنتجات التي تشتمل على مواد تبيض، يمكن أن تؤدي إلى حدوث مأس كهربائي.

#### شروط الاستخدام المعقدة

يمكن استخدام الدقاق الهوائي الدوار ذو البطارية في الحفر بالبق والحفر في الخشب والمعادن وأيضاً في البلاستيك، حيث يمكن استخدامه بشكل مستقل دون الحاجة إلى التوصيل بمقبس الطاقة. لا تستخدم هذا المنتج بأي طريقة أخرى غير مصرح بها للاستخدام العادي.

#### المخاطر المتبقية

أيضاً عند الاستخدام الصحيح لا يمكن استبعاد جميع المخاطر المتبقية. عند الاستعمال قد تنشأ المخاطر التالية التي يجب على المستخدم مراعاتها بشكل خاص.

- الإصابات الناتجة عن الاهزازات.
- أمسك الجهاز من المقابض المخصصة لذلك وحدد أوقات العمل وخطة العمل.
- يمكن أن تسبب الضوضاء في أضرار سمعية. لذا يرج ارتداء واقي للسمع وقم بتحديد فترة العمل.
- إصابات العين الناتجة عن جزيئات القذورات.
- ارتدي دائماً نظارة واقية، وبتظلون طويل وقفازات وحذاء واقي
- استنشاق الأتربة السامة.

#### إرشادات خاصة بطاريات أيون الليثيوم القابلة للشحن

**استخدام بطاريات أيون الليثيوم القابلة للشحن**

يجب إعادة شحن البطارية غير المستخدمة لفترة قبل الاستخدام.

تقلل درجات الحرارة التي تتجاوز 50°سليزيوس (122°فهرنهايت) من أداء البطارية. تجنب التعرض الزائد للحرارة أو أشعة الشمس (خطر التسخين)..

يجب الحفاظ على مواضع اتصال الشواحن و البطاريات القابلة للشحن نظيفة.

للحصول على فترة استخدام مثالية، يجب شحن البطاريات تماماً، بعد الاستخدام.

للحصول على أطول عمر ممكن للبطارية، انزع البطاريات القابلة للشحن من الشاحن بمجرد شحنها تماماً.

لتخزين البطارية أكثر من 30 يوم:

خزن البطارية بحيث تكون درجة الحرارة أقل من 27°سليزيوس وبعيدا عن أي رطوبة خزن البطارية ممتحونة بنسبة تتراوح بين 30%-50%

اشحن البطارية للمعداد، وذلك كل ستة أشهر من التخزين.

#### حماية بطاريات أيون الليثيوم القابلة للشحن من التحميل الزائد

في حالات العزم العالي، أو إعاقة الحركة أو التوقف المفاجئ أو القصور في الدائرة الكهربائية الذي ينتج عنه سحب لنقر كبير من التيار الكهربائي، تستصدر الأداة ذبذبات لمدة 5 ثوان، وسيضيء مقبض الوفود ثم تتوقف عن العمل. لإعادة الضغط حرر الزناد. في الظروف القصوى للعمل، قد ترتفع درجة الحرارة الداخلية للبطارية. إذا حدث ذلك، سيضيء مقبض الوفود حتى تتخفض درجة حرارة البطارية، وبعدها يمكنك متابعة العمل.

#### نقل بطاريات أيون الليثيوم القابلة للشحن

تخضع بطاريات الليثيوم أيون لشروط قوانين نقل السلع الخطرة.

ويجب نقل هذه البطاريات وفقاً للأحكام والقوانين المحلية والوطنية والدولية.

- يمكن للمستخدم نقل البطاريات براً دون الخضوع لشروط أخرى.
- يخضع النقل التجاري لبطاريات الليثيوم أيون عن طريق الغير إلى قوانين نقل السلع الخطرة. يتعين أن يقوم أفراد مدربون جيداً بالإعداد لعملية النقل والقيام بها بصحبة خبراء معهم.

متى تُنقل البطاريات:

- عند التأكد من حماية أطراف توصيل البطارية وعزلها تجنباً لحدوث قصر بالدائرة.
- عند التأكد من حماية حزمة البطارية من الحركة داخل صندوق التعبئة.
- يُرجى عدم نقل البطاريات التي بها تشققات أو تسربات.

يُرجى البحث مع شركة الشحن عن نصيحة أخرى

#### نصائح العمل

عند التقب أو الطرق يحظر بذل قوة أكثر من اللازم. أترك مطرقة التقب تعمل بنفسها.

#### توقف أوتوماتيكي

ن خاصية منع الارتداد AUTOSTOP™تتعرف على إنحسار المثاقب. مهمة المراقبة سوف تومض وستقوم الإلكترونيات بإيقاف مطرقة التقب. لتشغيل أترك ضاغط المثاقب واضغط عليه مرة أخرى.

#### العمل في حالة البرودة

إذا جرى تخزين الماكينة لهدم الكهربائي لفترة زمنية طويلة أو في درجات حرارة منخفضة، فقد يصبح التشحيم شديد القوام وقد لا تعمل الماكينة في البداية أو تعمل بطاقة ضئيلة. إذا حدث ذلك:

- ضع مقبب أو أزيل في الماكينة.
- ضع الماكينة على قطعة باقية من الخرسانة المسلحة.
- اضغط على الزر الضاغط كل عدة ثواني ثم اتركه مرة أخرى.

بعد 15 ثانية وحتى دقيقتين سوف تبدأ الماكينة في الطرق بشكل عادي. كلما كانت الماكينة أكثر برودة، كلما طالبت فترة التسخين.

#### التنظيف

يجب أن تكون فتحات تهوية الجهاز نظيفة طوال الوقت.

#### الصيانة

ملاحظة هامة! إذا تأكلت الفرش الكربونية، يجب بالإضافة إلى استبدال الفرش أن ترسل الأداة إلى خدمة ما بعد البيع. سوف يضمن هذا عمراً أطول للأداة ويمنحك أفضل مستوى من الأداء.

استخدم فقط ملحقات ميلوكي وكذلك قطع غيار ميلوكي. إذا كانت المكونات التي يجب تغييرها غير متوفرة، يرجى الاتصال بأحد عملاء صيانة ميلوكي (انظر قائمة عناوين الضمان/الصيانة الخاصة بنا).

عند الحاجة يمكن طلب رمز انفجار الجهاز بعد ذكر طراز الآلة والرقم السداسي المذكور على بطاقة طاقة الآلة لدى جهة خدمة العملاء أو مباشرة لدى شركة

**Techricon Industries GmbH**

**Max-Eyth-Straße 10**

**Winnenden 71364**

ألمانيا

#### روبرلا

	يرجى قراءة التعليمات بعناية قبل بدء تشغيل الجهاز.
	تنبيه! تحذير! خطراً!
	قم بإزالة حزمة البطارية قبل البدء في أي أعمال على الجهاز.
	ارتد دائماً نظارات الوقاية عند استخدام الجهاز.
	ارتد واقيات الأذن!
	لا تستنشق هذه الأتربة. ارتد قناعاً واقياً من الأتربة مناسباً.
	ارتد القفازات!
	نظام مقاومة التذبذب يحد من ذبذبة الماكينة عند مقبض اليد.
	الملحق - ليس مدرجاً كمعدة قياسية، متوفر كملحق.

## EC DECLARATION OF CONFORMITY

We declare as the manufacturer under our sole responsibility that the product described under "Technical Data" fulfills all the relevant regulations and directives listed below and that the following harmonized standards have been used.

## EG-KONFORMITÄTSEKTLÄRUNG

Wir erklären als Hersteller in alleiniger Verantwortung, dass das unter „Technische Daten“ beschriebene Produkt alle nachstehend aufgeführten relevanten Verordnungen und Richtlinien erfüllt und dass die folgenden harmonisierten Normen angewandt wurden.

## DÉCLARATION CE DE CONFORMITÉ

Nous déclarons en tant que fabricant et sous notre seule responsabilité, que le produit décrit dans « Données techniques » est conforme à toutes les réglementations et directives pertinentes mentionnées ci-après et que les normes harmonisées suivantes ont été appliquées.

## DICHIARAZIONE CE DI CONFORMITÀ

In qualità di produttore dichiariamo sotto la nostra esclusiva responsabilità che il prodotto descritto nei "Dati tecnici" è conforme a tutti i regolamenti e tutte le direttive pertinenti elencati qui di seguito e che sono state usate le seguenti norme armonizzate.

## DECLARACIÓN CE DE CONFORMIDAD

Declaramos como fabricante y bajo nuestra responsabilidad que el producto descrito bajo "Datos técnicos" está en conformidad con todos los reglamentos y directivas detallados a continuación y que se han utilizado las siguientes normas armonizadas.

## DECLARAÇÃO CE DE CONFORMIDADE

Como fabricante, declaramos sob responsabilidade exclusiva, que o produto descrito sob "Dados Técnicos" corresponde com todos os regulamentos relevantes e diretivas abaixo que as seguintes normas harmonizadas foram utilizadas.

## EG-VERKLARING VAN OVEREENSTEMMING

Wij als fabrikant verklaren in uitsluitende verantwoording dat het onder "Technische gegevens" beschreven product aan alle onderstaand vermelde relevante verordeningen en richtlijnen voldoet en dat de volgende geharmoniseerde normen werden toegepast.

## EF-OVERENSSTEMMELSESERKLÆRING

Vi erklærer som produsent og eneansvarlig, at produktet, der er beskrevet under "Tekniske data", opfylder kravene i alle relevante forordninger og direktiver som nævnt nedenfor og at nedenstående harmoniserede standarder er blevet anvendt.

## EU-SAMSVARERKLÆRING

Som produsent erklærer vi under eget ansvar at produktet som beskrives under « Teknisk data » opfylder alle relevante forordninger og direktiver som står oppført nedenfor og at de følgende harmoniserte standarder har blitt brukt.

## EG-FÓRSÁKRAN ÖVERENSSTÄMMELSE

Vi som tillverkare förklarar under eget ansvar, att den produkt som beskrivs under "Tekniska data" överensstämmer med alla de nedan angivna relevanta förordningarna och direktiven och att de följande harmoniserade normen har tillämpats.

## EY-VAATIMUSTENMUKAISUUSVAKUUTUS

Vakuutamme valmistajan ominaisuudessa yksinvastuullisesti, että kohdassa "Tekniset tiedot" kuvattu tuote täyttää kaikki seuraavassa luettelut sitä koskevat asetukset ja direktiivit ja että seuraavia harmonisoituja standardeja on sovellettu.

## ΑΝΩΣΗ ΣΥΜΜΟΡΦΩΣΗΣ ΕΚ

Ως κατασκευαστής δηλώνουμε υπεύθυνα ότι το προϊόν που περιγράφεται στο κεφάλαιο «Τεχνικά Χαρακτηριστικά», πληροί όλους τους κανονισμούς κι όλες τις οδηγίες που αναφέρονται σχετικά παρακάτω, και για το οποίο έχουν εφαρμοστεί τα ακόλουθα εναρμονισμένα πρότυπα.

## AT UYGUNLUK BEYANI

Üretici sıfatıyla tek sorumlu olarak "Teknik Veriler" bölümünde tarif edilen ürünün aşağıda sıralanan bütün ilgili yönetmelik ve direktiflere uygun olduğunu ve aşağıdaki uyumlaştırılmış standartların kullanılıldığını beyan etmekteyiz.

## ES PROHLÁŠENÍ O SHODĚ

My jako výrobce prohlašujeme na svou vlastní odpovědnost, že produkt popsaný v části "Technické údaje" splňuje všechna příslušná nařízení a směrnice uvedené níže a že byly použity následující harmonizované normy.

## ES VYHLÁŠENIE O ZHODE

"My ako výrobca vyhlasujeme na vlastnú zodpovednosť, že produkt popísaný v časti „Technické údaje“ spĺňa všetky príslušné nariadenia a smernice uvedené nižšie a že boli použité nasledujúce harmonizované normy.

## DEKLARACJA ZGODNOŚCI WE

Jako producent oświadczamy na naszą wyłączną odpowiedzialność, że produkt opisany w punkcie „Dane techniczne” odpowiada wszystkim poniższym istotnym rozporządzeniom oraz dyrektywom, a także iż zastosowano poniższe zharmonizowane normy:

## EK-MEGFELELŐSÉGI NYILATKOZAT

Gyártóként egyedüli felelősséggel kijelentjük, hogy a „Műszaki Adatok” alatt leírt termék megfelel a következőkben felsorolt minden releváns rendeletnek és irányelvnek, és hogy a következők harmonizált szabványok kerültek használatra.

## ES-IZJAVA O SKLADNOSTI

Mi kao proizvođač izjavljujemo na osobnu odgovornost, da je proizvod, opisan pod "Tehnički podaci", sukladan sa svim relevantnim propisima i u nastavku navedenim smjericama i harmoniziranim normativima dokumenata.

## IZJAVA O SUKLADNOSTI

Mi kao proizvođač izjavljujemo na osobnu odgovornost, da proizvod opisan pod "Tehnički podaci", ispunjava sve u nastavku navedene relevantne odredbe i smjernice i da su sljedeće harmonizirane norme bile primjenjene.

## EK ATBILSTĪBAS DEKLARĀCIJA

Mēs kā ražotājs un vienīgā atbildīgā persona apliecinām, ka "Tehniskajos datos" raksturotais produkts atbilst visiem attiecīgajiem noteikumiem un vadlīnijām, kas uzskaitītas turpmāk, un ka ir izmantoti šādi saskaņotie standarti.

## EB ATITIKTIES DEKLARACIJA

Gamintojo vardu atsakingai pareiškiamo, kad gaminy, aprašytas skyriuje „Techniniai duomenys“, atitinka visus toliau išvardytų susijusių reglamentų, direktyvų ir darnųjų standartų taikomus reikalavimus.

## EÜ VASTAVUSDEKLARATSIOON

Kinnitame tootjana ainuisikuliselt vastutades, et jaotises „Tehnilised andmed“ kirjeldatud toode on kooskõlas allpool nimetatud direktiivide asjaomaste eeskirjade ja ühtlustatud normdokumentidega ning et on kasutatud järgmisi ühtlustatud standardeid.

## ДЕКЛАРАЦИЯ СООТВЕТСТВИЯ ЕС

Мы как производитель под собственную ответственность заявляем о том, что описанное в разделе «Технические характеристики» изделие отвечает всем нижеперечисленным соответствующим предписаниям и директивам и что в отношении него применяются следующие гармонизированные стандарты.

## DEKLARACIJA ZA SЪOTVETSTVIE NA EO

В качеството си на производител декларираме на собствена отговорност, че продуктът, описан в „Технически данни“, отговаря на всички изброени по-нататък приложими регламенти и директиви и че са използвани посочените хармонизирани стандарти.

## DECLARAȚIE DE CONFORMITATE CE

În calitate de producător declarăm pe propria răspundere că produsul descris la "Date tehnice" este în concordanță cu toate regulamentele și directivele relevante de mai jos și că au fost utilizate următoarele norme armonizate.

## EK-DEKLARACIJA ZA SOOBRAZNOST

Kako proizvođač, izjavujemo pod celopisna odgovornost дека производот опишан во „Технички податоци“ подолу е во согласност со сите релевантни одредби и регулативи наведени подолу и дека се користени следниве усогласени стандарди.

## ДЕКЛАРАЦИЯ ЕС ПРО ВІДПОВІДНІСТЬ

Як виробник, ми заявляємо на власну відповідальність, що виріб, описаний у розділі "Технічних даних", відповідає всім застосовним положенням директив і приписам перерахованим нижче, і що щодо нього були використані наступні гармонізовані стандарти.

إقرار المطابقة وفقاً للمواصفات الأوروبية بموجب هذا نقر نحن كشركة منتجة وعلى مسؤوليتنا المنفردة، أن المنتج الموصوف تحت "البيانات الفنية" يطابق جميع الأوامر والتوجيهات الهامة المذكورة فيما يلي وقد جرى فيها استخدام معايير التوافق التالية:

2011/65/EU (RoHS)  
2014/30/EU  
2006/42/EC

EN 60745-1:2009+A11:2010  
EN 60745-2-6:2010  
EN 55014-1:2017+A11:2020  
EN 55014-2:2015  
EN IEC 63000:2018

Winnenden, 2021-03-22

  
Alexander Krug  
Managing Director



Authorized to compile the technical file  
Bevollmächtigt die technischen Unterlagen zusammenzustellen.  
Autorisé à compiler la documentation technique.

Autorizzato alla preparazione della documentazione tecnica  
Autorizado para la redacción de los documentos técnicos.  
Autorizado a reunir a documentação técnica.

Gemachtigd voor samenstelling van de technische documenten  
Autoriseret til at udarbejde de tekniske dokumenter.  
Autoriseret til å utarbeide den tekniske dokumentasjonen

Befullmäktigad att sammanställa teknisk dokumentation.  
Valtuutettu kokoamaan tekniset dokumentit.

Εξουσιοδοτημένος να συντάξει τον τεχνικό φάκελο.  
Teknik evrakları hazırlamakla görevlendirilmiştir.  
Zplnomocněn k sestavování technických podkladů.

Splnomocnený zostaviť technické podklady.  
Upełnomocniony do zestawienia danych technicznych  
Műszaki dokumentáció összeállításra felhatalmazva

Pooblaščen za izdelavo spisov tehnične dokumentacije.  
Ovlašten za formiranje tehničke dokumentacije.

Pilnvarotais tehniskās dokumentācijas sastādīšanā.  
Įgaliojotas parengti techninius dokumentus.  
On volitatud koostama tehnilist dokumentatsiooni.

Uполномочен на составление технической документации.  
Упълномощен за съставяне на техническата документация  
İmputernicit să elaboreze documentația tehnică.  
Oполномоштен за составување на техничката документација.

Уповноважений із складання технічної документації.

معتمدة للمطابقة مع الملف الفني

Techtronic Industries GmbH  
Max-Eyth-Straße 10  
71364 Winnenden  
Germany

## GB-DECLARATION OF CONFORMITY

We declare as the manufacturer under our sole responsibility that the product described under "Technical Data" fulfills all the listed below relevant regulations and that the following designated standards have been used.

S.I. 2008/1597 (as amended)  
S.I. 2016/1091 (as amended)  
S.I. 2012/3032 (as amended)

BS EN 60745-1:2009+A11:2010  
BS EN 60745-2-6:2010  
BS EN 55014-1:2017+A11:2020  
BS EN 55014-2:2015  
BS EN IEC 63000:2018

Winnenden, 2021-03-22

  
Alexander Krug  
Managing Director

Techtronic Industries GmbH  
Max-Eyth-Straße 10  
71364 Winnenden  
Germany

Authorized to compile the technical file:  
Techtronic Industries (UK) Ltd  
Fieldhouse Lane  
Marlow Bucks SL7 1HZ  
UK



Copyright 2021  
Techtronic Industries GmbH  
Max-Eyth-Str. 10  
71364 Winnenden  
Germany  
+49 (0) 7195-12-0  
[www.milwaukeeetool.eu](http://www.milwaukeeetool.eu)

Techtronic Industries (UK) Ltd  
Fieldhouse Lane  
Marlow Bucks SL7 1HZ  
UK

(05.21)

**4931 4704 81**