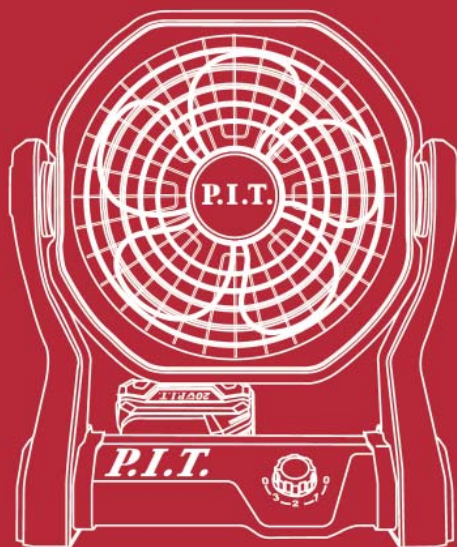


P.I.T.

PJF20H-250A



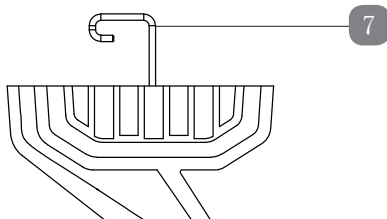
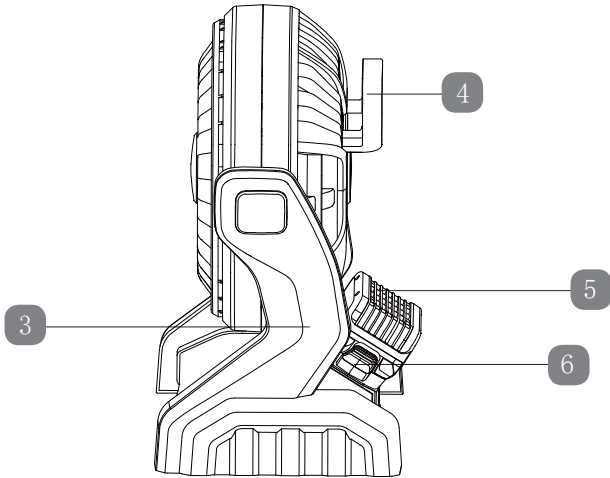
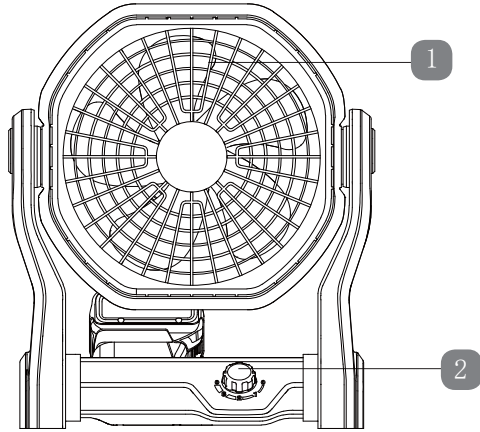
CORDLESS JOBSITE FAN
АККУМУЛЯТОРНЫЙ ВЕНТИЛЯТОР

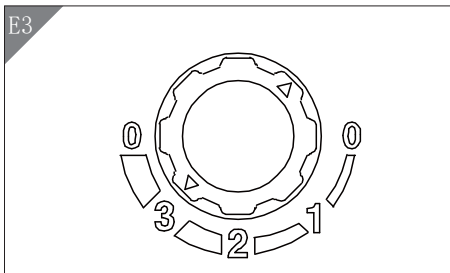
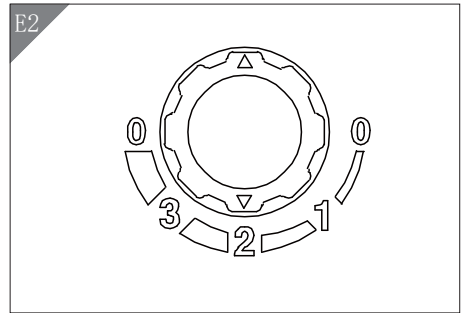
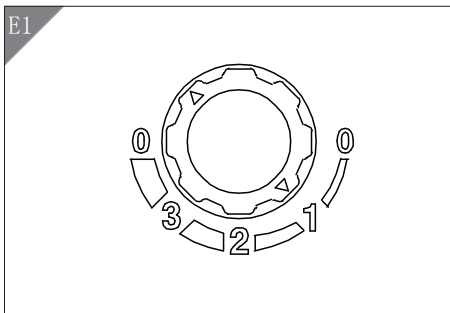
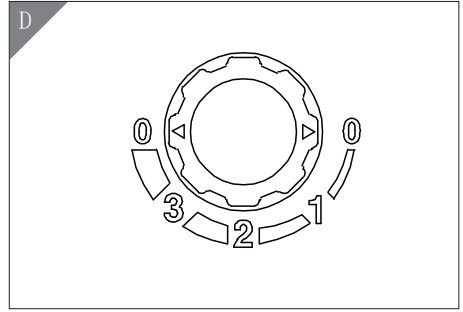
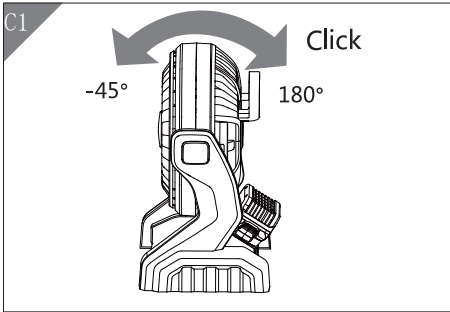
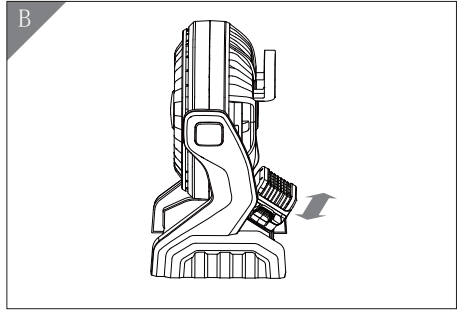
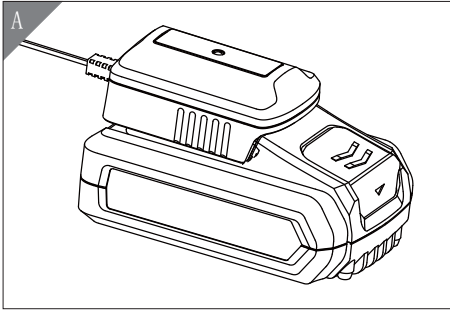
20V ONE
POWER

Please read the instruction manual carefully before use!
Пожалуйста, внимательно прочтите инструкцию перед использованием!



A





English Safety Instructions

Safety instructions for battery fans.



Read all safety instructions and instructions. Omission of directions and safety instructions can result in electric shock, fire and serious injury.

Battery Fan Safety

To avoid fire, electric shock, or injury, observe the following:

- ▶ Protect from rain. Store indoors.
- ▶ Do not allow the device to be used as a toy. Be especially careful when using the device by or near children.
- ▶ Use your device only as described in this manual. Use only accessories recommended by the manufacturer.
- ▶ Do not use with damaged battery. If the device does not work properly, has been dropped, damaged, forgotten on the street or dropped into water, take it to a service center. Не берите устройство мокрыми руками.
- ▶ Do not put objects of any kind in the openings.
- ▶ Keep hair, loose clothing, fingers, and other body parts away from openings and moving parts.
- ▶ Turn off all device controls before removing the battery.
- ▶ Use only the AC adapter and charger provided by the manufacturer. Accessories suitable for this device can be dangerous when used with other devices.
- ▶ Do not charge the battery outdoors.
- ▶ Do not expose the device to fire or high temperature.
- ▶ Do not use the device near open flames, smoldering materials, or in an explosive atmosphere, such as in the presence of flammable liquids, gases or dust nearby. The device generates sparks that can ignite dust or gases.
- ▶ Do not use the device in humid places such as a bathroom.
- ▶ This device is intended for indoor use only. Do not use the device outdoors.
- ▶ This device is intended for home use.
- ▶ Please read this instruction manual and the charger instruction manual carefully before use.
- ▶ Remember to take precautions even if you use your device frequently and are familiar with it. Remember that a second oversight may be enough to cause serious injury.

- ▶ Stop operation immediately if you notice any abnormalities.
 - ▶ Place the device on a level and stable surface. If the device falls, it may be damaged or injured.
 - ▶ If you drop or hit the device, carefully check it for cracks or damage before using it.
 - ▶ Keep the device away from stoves or other sources of heat.
 - ▶ Do not use the device with broken, bent, cracked, or damaged parts. If there is visible damage or any abnormalities in the operation of the device, its operation should be stopped immediately. Inspect the device every time you turn it on.
 - ▶ Do not leave the device unattended when connected to a power source.
 - ▶ Use the AC adapter strictly for its intended purpose. Do not carry the device by holding it by the cord or pull on the cord to unplug it. Locate the AC adapter at a safe distance from heat, oil, sharp edges, and moving parts. Replace damaged adapter immediately. A damaged adapter increases the risk of electric shock.
 - ▶ Make sure the switch is in the off position before lifting or carrying the device. Do not place your finger on the switch while carrying the device, otherwise an accident could result.
 - ▶ Do not attempt to repair or modify the device and battery pack yourself; strictly follow the instructions for their use.
 - ▶ Disconnect the battery pack and AC adapter from the power source before storing the device and before inspecting, maintaining, or cleaning the device. Such preventive precautions reduce the risk of accidental activation of the device.
 - ▶ Before inspecting, maintaining, cleaning, or storing the device, unplug the device and allow it to cool down.
- Important safety instructions for working with the battery pack.**
- WARNING: Use only original P.I.T. batteries.** Using non-P.I.T. batteries or batteries that have been modified may result in battery explosion, fire, injury and property damage. This will also automatically void the P.I.T. warranty on the tool and charger.
- ▶ Use your device only as described in this manual. Use only accessories recommended by the manufacturer.
 - ▶ Before using the battery pack, read all

instructions and warnings on the charger, battery cartridge, and tools that use the battery cartridge.

- ▶ Do not disassemble the battery pack.
- ▶ Do not drop or hit the battery pack.
- ▶ Do not use a damaged battery pack.
- ▶ If the operating time of the battery pack decreases significantly, stop using it immediately. Otherwise, the unit may overheat, resulting in burns and even an explosion.
- ▶ If electrolyte gets in your eyes, rinse with copious amounts of clean water and consult a doctor immediately.
This can lead to loss of vision.
- ▶ Do not short-circuit the contacts of the battery pack with each other:
 - (1) Do not touch the contacts with any more conductive objects.
 - (2) Do not store the battery pack in a container with other metal objects such as nails, coins, etc.
 - (3) Do not expose the battery pack to water or rain. Closing the contacts of the battery pack with each other can lead to high current, overheating, possible burns and even damage to the unit.
- ▶ Do not store the tool and battery pack in locations where temperatures can reach or exceed 50 ° C (122 ° F).
- ▶ Do not dispose of the battery pack in fire, even if it is badly damaged or completely out of order. The battery pack may explode in a fire.
- ▶ If the battery is damaged or used improperly, gas may escape. Provide fresh air and consult a doctor if complaints occur. The gases can irritate the respiratory tract.
- ▶ Clean the battery ventilation slots from time to time with a soft, dry, clean brush.
- ▶ Charge the battery pack without completely discharging it. Be sure to stop using the tool and charge the unit if you notice a decrease in the power of the tool.
- ▶ Never recharge a fully charged battery pack. Overcharging will shorten the battery life.
- ▶ Charge the battery pack at room temperature. Allow a hot battery pack to cool before charging.
- ▶ Charge the lithium-ion battery pack if you will not be using the tool for a long time (more than six months).
- ▶ Do not open the battery. There is a danger of a short circuit.
- ▶ Protect the battery from high temperatures such as prolonged exposure to sunlight,

fire, water and moisture. There is a danger of explosion.

- ▶ Store the battery in a temperature range of 0 to 45 ° C. Do not leave the battery in the car in summer.
- ▶ The supplied lithium-ion batteries must be operated in accordance with the dangerous goods legislation.

For commercial transport, such as by a third party or freight forwarder, special warnings and labels must be applied to the packaging. Always consult your hazardous materials professional when preparing your device for shipment. Also comply with local codes and ordinances. They can be stricter.

Close or secure the open contacts and pack the battery so that it does not move around the package.

- ▶ Obey the local regulations regarding the disposal of the battery pack.

Description of product and services

Read all safety instructions and instructions. Omissions regarding instructions and safety instructions may cause injury, electric shock, fire and serious injury.

Intended use

The portable fan is designed for creating an air flow in household premises. Use the device strictly for its intended purpose, specified in this manual.

Components shown

The components shown are numbered according to the image on the illustration page.

1. Protective grill
2. Switch - regulator for changing the speed
3. Holder
4. Pen
5. Accumulator battery
6. Battery release button
7. Крючок для подвешивания

Not all accessories illustrated or described are included as standard.

Specifications

Model	PJF20H-250A
Nominal battery voltage	20 V
Speed, rpm	1200/1500/1800 r/min
Working temperature environment	0-45 °C

Contents of delivery

Battery fan	1 PC.
Network adapter	1 PC.
Manual	1 PC.

Note

The text and numbers in this manual may contain technical errors and typographical errors.

Since the P.I.T. is constantly improving, the company reserves the right to make changes to the specifications and equipment specified here without prior notice.

Exploitation

WARNING

- Avoid carelessness caused by a good knowledge of the instrument. Remember that a second of inattention is enough to cause serious injury.
- Do not use any batteries, accessories, or attachments not recommended by the manufacturer of this instrument. Use of non-approved batteries, accessories, or attachments could result in serious injury.
- Do not handle the cord and battery with wet or oily hands.
- Never use the cordless fan with a damaged cord or plug.
- Do not leave the AC adapter disconnected from the battery fan while the AC adapter is plugged in.

Small children may place a live plug in their mouths, which could cause injury.

- When inserting / removing the battery or connecting / disconnecting the AC adapter, be sure to place the battery fan on a flat, stable surface.

This fan is equipped with a 3-speed control with a speed selector.

Power source can be AC adapter or rechargeable battery (not included)

Using a network adapter

Connect the plug of the power adapter to the fan. Then plug the adapter into an electrical outlet.

Make sure the rated voltage of the mains supply matches the rated voltage of the adapter.

ATTENTION! The supplied AC adapter does not charge the battery inserted in the battery fan.

Using the rechargeable battery

Charging the battery (fig. A)

1) Connect the charger to the appropriate the corresponding outlet. The green indicator will light up.

2) Insert the battery into the charger, the indicator will turn red, indicating that the charging process has started.

3) When charging is complete, the indicator will turn green. When the battery is fully charged, unplug the charger and remove the battery.

WARNING: when the battery runs out of power after continuous use, exposure to direct sunlight or heat, allow time to cool before recharging to achieve a full charge.

Removing and installing the battery pack (fig. B)

WARNING: before removing or by installing the battery pack from unplug the device.

1) Press the battery release button to release and slide, remove the battery from your tool. After recharging, insert it back into connector on the back of the fan until you hear a click. A simple push and a little pressure will suffice.

Do not use force when inserting the battery cartridge. If the cartridge does not slide in without force, it will not install correctly.

Carrying handle

Carry the fan using the top handle (4).

Note: do not move the fan until it stops completely.

Hanging hook

The integrated hanging hook can be used to hang the fan.

WARNING:

- *Never suspend the cordless fan in high places or on surfaces where the tool could become unbalanced and fall over.*
- *Use strong, resistant materials to hang the battery fan.*

Airflow Direction Adjustment Angle

The angle of the fan head can be adjusted. Head movement range: minus 45 degrees to 180 degrees. (-45 to 180 degrees) (see figure C1)

Switching off the fan (fig. D)

Turn the knob so that the arrow points to No. 0, the fan will turn off.

Fan speed changeover

Turn on the fan by turning the knob switch so that the arrow points to No. 1 - low speed (see Fig. E1), in the same way you can turn on higher speeds No. 2 and No. 3 (see Fig. E2 and E3).

Maintenance and service**Maintenance and cleaning**

Turn off the power and remove the battery cartridge from the tool before making adjustments or servicing.

- ▶ The battery fan is maintenance-free and contains no parts that need to be replaced or serviced.
- ▶ To ensure quality and safe operation, keep the power tool and ventilation slots clean.
- ▶ **WARNING:** Never use solvents or other harsh chemicals to clean non-metallic parts of the tool. These chemicals can weaken the plastic materials used in these parts. Use a cloth dampened with water and mild soap only.
- ▶ Never allow liquid to get inside the tool; never immerse any part of the instrument in liquid.
- ▶ Always store your power tool in a dry place.
- ▶ Ambient temperature range for the use and storage of the tool and battery: from 0 ° C to + 45 ° C.


Service


▶ Have your power tool repaired only by qualified personnel and only with original spare parts. This ensures the safety of the power tool. Список авторизованных сервисных центров можно посмотреть на официальном сайте P.I.T. посылке <https://pittools.ru/services/>

Storage and transportation

Store the instrument in closed rooms with natural ventilation in packaging at an air temperature of 0 ° C to + 50 ° C and an air humidity of no more than 80%. Products can be transported by any type of closed transport in the manufacturer's packaging or without it, while preserving the product from mechanical damage, atmospheric precipitation. Remove the battery and replacement tool from the tool before transporting it.

Disposal

 Take power tools, batteries, accessories and packaging to an environmentally friendly recovery facility.

 Do not dispose of power tools and rechargeable batteries / batteries with household waste!

DESCRIPTION OF THE PRODUCT DATE

No.

17	07	30	0395
----	----	----	------

Year month day

The date of manufacture of the product is encrypted in the serial number printed on the body of the instrument. The first 2 digits indicate the year of manufacture, the next 2 digits are the month and the next 2 digits are the day.

TERMS OF WARRANTY SERVICE

1. This Warranty Certificate is the only document that confirms your right to free warranty service. Without presenting this certificate, no claims are accepted. In case of loss or damage, the warranty certificate is not restored.

2. The warranty period for the electric machine is 12 months from the date of sale, during the warranty period the service department eliminates manufacturing defects and replaces parts that have failed due to the fault of the manufacturer free of charge. In the warranty repair, an equivalent operable product is not provided. Replaceable parts become property of service providers.

P.I.T is not liable for any damage that may be caused by operation of the electric machine.

3. Only clean tool accompanied with the following duly executed documents: this Warranty Certificate, Warranty Card, with all fields filled out, bearing the stamp of the trade organization and the signature of the buyer, shall be accepted for warranty repair.

4. Warranty repair is not performed in the following cases:

- in the absence of a Warranty Certificate and a Warranty Card or their incorrect execution;
- with failure of both a rotor and a stator of the electric engine, charring or melting of primary winding of the welding machine transformer, charging or starting-charging device, with internal parts melting, burn down of electronic circuit boards;
- if a Warranty Certificate or a Warranty Card does not correspond to this electric machine or to the form established by the supplier;
- upon expiration of the warranty period;
- at attempts of opening or repair of the electric machine outside the warranty workshop; making constructive changes and lubrication of the tool during the warranty period, as ev-

idenced, for example, by the creases on the spline parts of the fasteners of non-rotational parts.

- when using electric tools for production or other purposes connected with making a profit, as well as in case of malfunctions related to instability of the power network parameters exceeding the norms established by GOST;
- in the events of improper operation (use the electric machine for other than intended purposes, attachments to the electric machine of attachments, accessories, etc. not provided by the manufacturer);
- with mechanical damage to the case, power cord and in case of damages caused by aggressive agents and high and low temperatures, ingress of foreign objects in the ventilation grids of the electric machine, as well as in case of damage resulting from improper storage (corrosion of metal parts);
- natural wear and tear on the parts of the electric machine, as a result of long-term operation (determined on the basis of the signs of full or partial depletion of the specified mean life, great contamination, presence of rust outside and inside the electric machine, waste lubricant in the gearbox);
- use of the tool the purposes for other than specified in the operating instructions.
- mechanical damages to the tool;
- in the event of damages due to non-observance of the operating conditions specified in the instruction (see chapter "Safety Precautions" of the Manual).
- damage to the product due to non-observance of the rules of storage and transportation.

Preventive maintenance of electric machines (cleaning, washing, lubrication, replacement of anthers, piston and sealing rings) during the warranty period is a paid service.

The service life of the product is 3 years. Shelf life is 2 years. It is not recommended for operation after 2 years of storage from the date of manufacture, which is indicated in the serial number on the label of the instrument, without preliminary verification (for the definition of the date of manufacture, see the User's Manual earlier).

The owner is notified of any possible violations of the above terms of warranty service upon completion of diagnostics in the service center.

The owner of the tool entrusts the diagnostic procedure to be conducted in the service center in his absence.

Do not operate the electric machine when there are signs of excessive heat, sparking, or noise in the gearbox. To determine the cause of the malfunction, the buyer should contact the warranty service center.

Malfunctions caused by late replacement of carbon brushes of the engine are eliminated at the expense of the buyer.

5. The warranty does not cover:

- replacement accessories (accessories and components), for example: batteries, discs, blades, drill bits, borers, chucks, chains, sprockets, collet clamps, guide rails, tension and fastening elements, trimming device heads, base of grinding and belt sander machines, hexagonal heads, etc.,
- fast wearing parts, for example: carbon brushes, drive belts, seals, protective covers, guiding rollers, guides, rubber seals, bearings, toothed belts and wheels, shanks, brake belts, starter ratchets and ropes, piston rings, etc. Their replacement during the warranty period is a paid service;
- power cords, in case of damage to the insulation, power cords are subject to mandatory replacement without the consent of the owner (paid service);
- tool case.

Русский

Указания по безопасности

Указания по технике безопасности для аккумуляторных вентиляторов.



Прочтите все указания и инструкции по технике безопасности.

Упущения в отношении указаний и инструкций по технике безопасности могут стать причиной поражения электрическим током, пожара и тяжелых травм.

Техника безопасности для аккумулятора вентилятора

Во избежание возгорания, удара током или травм соблюдайте следующие требования:

- ▶ Берегите от дождя. Храните в помещении.
- ▶ Не позволяйте использовать устройство в качестве игрушки. Соблюдайте особую осторожность при использовании устройства детьми или рядом с детьми.
- ▶ Используйте устройство только так, как описано в настоящем руководстве. Используйте только принадлежности, рекомендованные производителем.
- ▶ Не используйте с поврежденным аккумулятором. Если устройство не работает надлежащим образом, падало, было повреждено, забыто на улице или упало в воду, отнесите его в сервисный центр.
- ▶ Не берите устройство мокрыми руками.
- ▶ Не помещайте какие-либо предметы в отверстия.
- ▶ Держите волосы, свободную одежду, пальцы и другие части тела подальше от отверстий и движущихся частей.
- ▶ Перед снятием аккумулятора выключите все элементы управления устройством.
- ▶ Используйте только переходник переменного тока и зарядное устройство, предоставленные производителем. Принадлежности, подходящие для данного устройства, могут быть опасны при использовании их с другими устройствами.
- ▶ Не заряжайте аккумулятор на улице.
- ▶ Не подвергайте устройство действию огня или высокой температуры.
- ▶ Не пользуйтесь устройством возле открытого огня, тлеющих материалов или во взрывоопасной атмосфере, например при наличии поблизости легковоспламеняющихся жидкостей, газов или пыли. При работе устройства возникают искры, которые могут привести к воз-

пламенению пыли или газов.

- ▶ Запрещается использовать устройство в местах с повышенной влажностью, например в ванной.
- ▶ Данное устройство предназначено только для работы в помещении. Запрещается использовать устройство вне помещения.
- ▶ Это устройство предназначено для домашнего использования.
- ▶ Перед использованием внимательно прочитайте это руководство по эксплуатации и руководство по эксплуатации зарядного устройства.
- ▶ Не забывайте о мерах предосторожности, даже если вы часто используете устройство и хорошо знакомы с ним. Помните, что секундной оплошности может быть достаточно для получения серьезных травм.
- ▶ Немедленно прекратите работу, если вы заметили какие-либо отклонения.
- ▶ Размещайте устройство на ровной и устойчивой поверхности. Падение устройства может привести к его повреждению или травме
- ▶ Если вы уронили или ударили устройство, перед началом эксплуатации тщательно проверьте его на предмет наличия трещин и повреждений.
- ▶ Не подносите устройство близко к печам и другим источникам тепла.
- ▶ Не используйте устройство при наличии в нем сломанных, погнутых, треснувших или поврежденных деталей. При наличии видимых повреждений или каких-либо отклонений в работе устройства его эксплуатацию следует немедленно прекратить. Осматривайте устройство перед каждым включением.
- ▶ Не оставляйте без присмотра устройство, подключенное к источнику питания.
- ▶ Используйте переходник переменного тока строго по назначению. Запрещается переносить устройство, держа его за шнур, а также тянуть за шнур, чтобы вынуть вилку из розетки. Располагайте переходник переменного тока на безопасном расстоянии от источников тепла, масла, острых краев и движущихся деталей. Немедленно замените поврежденный переходник. Поврежденный переходник повышает риск удара током.
- ▶ Прежде чем поднимать или переносить устройство, убедитесь, что переключатель находится в выключенном положении.

нии. Не держите палец на выключателе во время переноски устройства – это может стать причиной несчастного случая.

- ▶ Не пытайтесь самостоятельно ремонтировать устройство и блок аккумулятора или вносить изменения в их конструкцию; строго соблюдайте инструкции по их эксплуатации.
- ▶ Отсоединяйте блок аккумулятора и переходник переменного тока от источника питания, прежде чем поместить устройство на хранение, а также перед осмотром, техническим обслуживанием или очисткой устройства. Такие профилактические меры предосторожности снижают риск случайного включения устройства.
- ▶ Перед осмотром, техническим обслуживанием, очисткой устройства и помещением его на хранение выньте вилку устройства из розетки и дайте ему остыть.

Важные правила техники безопасности для работы с аккумуляторным блоком.

ВНИМАНИЕ: Используйте только фирменные аккумуляторные батареи P.I.T.

Использование аккумуляторных батарей, не произведенных P.I.T., или батарей, которые были подвергнуты модификациям, может привести к взрыву аккумулятора, пожару, травмам и повреждению имущества. Это также автоматически аннулирует гарантию P.I.T. на инструмент и зарядное устройство.

- ▶ Используйте устройство только так, как описано в настоящем руководстве. Используйте только принадлежность, рекомендованные производителем.
- ▶ Перед использованием аккумуляторного блока прочитайте все инструкции и предупреждающие надписи на зарядном устройстве, аккумуляторном блоке и инструменте, работающем от аккумуляторного блока.
- ▶ Не разбирайте аккумуляторный блок.
- ▶ Не роняйте и не ударяйте аккумуляторный блок.
- ▶ Не используйте поврежденный аккумуляторный блок
- ▶ Если время работы аккумуляторного блока значительно сократилось, немедленно прекратите работу. В противном случае, может возникнуть перегрев

блока, что приведет к ожогам и даже к взрыву.

- ▶ В случае попадания электролита в глаза промойте их обильным количеством чистой воды и немедленно обратитесь к врачу.

Это может привести к потере зрения.

- ▶ Не замыкайте контакты аккумуляторного блока между собой:

(1) Не прикасайтесь к контактам какими-либо токопроводящими предметами.

(2) Не храните аккумуляторный блок в контейнере вместе с другими металлическими предметами, такими как гвозди, монеты и т. п.

(3) Не допускайте попадания на аккумуляторный блок воды или дождя. Замыкание контактов аккумуляторного блока между собой может привести к возникновению большого тока, перегреву, возможным ожогам и даже поломке блока.

- ▶ Не храните инструмент и аккумуляторный блок в местах, где температура может достигать или превышать 50 °C (122 °F).

- ▶ Не бросайте аккумуляторный блок в огонь, даже если он сильно поврежден или

▶ полностью вышел из строя. Аккумуляторный блок может взорваться под действием огня.

- ▶ При повреждении и ненадлежащем использовании аккумулятора может выделяться газ. Обеспечьте приток свежего воздуха и при возникновении жалоб обратитесь к врачу. Газы могут вызвать раздражение дыхательных путей.

- ▶ Время от времени прочищайте вентиляционные прорези аккумулятора мягкой, сухой и чистой кисточкой.

- ▶ Заряжайте блок аккумуляторов не допуская его полной разрядки. Обязательно прекратите работу с инструментом и зарядите блок, если вы заметили снижение мощности инструмента.

- ▶ Никогда не подзаряжайте полностью заряженный блок аккумуляторов. Перезарядка сокращает срок службы аккумулятора.

- ▶ Заряжайте блок аккумуляторов при комнатной температуре. Перед зарядкой горячего блока аккумуляторов дайте ему остыть.

- ▶ Зарядите литий-ионный аккумуляторный блок, если вы не будете пользоваться инструментом длительное время (более

шести месяцев).

- ▶ Не вскрывайте аккумулятор, При этом возникает опасность короткого замыкания.
- ▶ Защищайте аккумуляторную батарею от высоких температур, например, от длительного нагревания на солнце, от огня, воды и влаги. Существует опасность взрыва.
- ▶ Храните аккумулятор в диапазоне температур от 0 до 45°C. Не оставляйте аккумулятор летом в автомобиле.
- ▶ Входящие в комплект литий-ионные аккумуляторы должны эксплуатироваться в соответствии с требованиями законодательства об опасных товарах.

При коммерческой транспортировке, например, третьей стороной или экспедитором, необходимо нанести на упаковку специальные предупреждения и маркировку. В процессе подготовки устройства к отправке обязательно проконсультируйтесь со специалистом по опасным материалам. Также соблюдайте местные требования и нормы. Они могут быть строже.

Закройте или закрепите разомкнутые контакты и упакуйте аккумулятор так, чтобы он не перемещался по упаковке.

- ▶ Выполняйте требования местного законодательства относительно утилизации аккумуляторного блока.

Описание продукта и услуг

Прочтите все указания и инструкции по технике безопасности. Упущения в отношении указаний и инструкций по технике безопасности могут стать причиной поражения электрическим током, пожара и тяжелых травм.

Электрическим током, пожара и тяжелых травм.

Применение по назначению

Переносной вентилятор предназначен для создания потока воздуха в бытовых помещениях.

Используйте устройство строго по назначению, указанному в настоящем руководстве.

Изображенные составные части

Нумерация представленных компонентов выполнена по изображению на странице с иллюстрациями.

1. Защитная решетка
2. Выключатель - регулятор изменения скорости
3. Держатель
4. Ручка

5. Аккумуляторная батарея
 6. Кнопка разблокировки аккумулятора
 7. Крючок для подвешивания
- Не все проиллюстрированные или описанные аксессуары входят в стандартную комплектацию.

Технические характеристики

Модель	PJF20H-250A
Номинальное напряжение АКБ	20 В
Скорость, об/мин	1200/1500/1800 об/мин
Рабочая температура окружающей среды	0-45 °C

Комплект поставки

Вентилятор аккумуляторный	1 шт.
Сетевой адаптер	1 шт.
Руководство по эксплуатации	1 шт.

Примечание

В тексте и цифровых обозначениях инструкции могут быть допущены технические ошибки и опечатки.

Так как инструмент P.I.T. постоянно совершенствуется, компания оставляет за собой право вносить изменения в указанные здесь технические характеристики и комплектацию без предварительного уведомления.

Эксплуатация

ПРЕДОСТЕРЕЖЕНИЕ

- Не допускайте невнимательности, вызванной хорошим знанием инструмента. Помните, что секундной невнимательности достаточно для получения серьезной травмы.
- Не используйте никакие батареи, принадлежности или приспособления, не рекомендованные производителем данного инструмента. Использование не рекомендованных батарей, принадлежностей или приспособлений может привести к серьезной травме.
- Не держите шнур и батарею мокрыми или жирными руками.
- Никогда не используйте аккумуляторный вентилятор с поврежденными шнуром или вилкой.
- Не оставляйте адаптер переменного токаотсоединенным от аккумуляторного вентилятора, пока его питание подключено к сети.

Маленькие дети могут поместить в рот находящуюся под напряжением вилку, что может привести к травме.

- При вставлении/удалении батареи или при подключении/отсоединении адаптера переменного тока обязательно ставьте аккумуляторный вентилятор на ровную устойчивую поверхность.

Данный вентилятор оснащен 3-скоростным управлением с помощью переключателя скоростей.

Источником питания может быть адаптер переменного тока или аккумуляторная батарея (не входит в комплектацию)

Использование сетевого адаптера

Подключите штекер сетевого адаптера к вентилятору. Затем подключите вилку адаптера к источнику электрической сети.

Убедитесь, что номинальное напряжение сетевого источника питания соответствует номинальному напряжению адаптера.

ВНИМАНИЕ! Входящий в комплект поставки адаптер переменного тока не заряжает батарею, вставленную в аккумуляторный вентилятор.

Использование аккумуляторной батареи

Зарядка аккумуляторной батареи (рис. А)

1) Подключите зарядное устройство к соответствующей розетке. Загорится зеленый индикатор.

2) Вставьте аккумулятор в зарядное устройство, индикатор загорится красным, указывая на то, что процесс зарядки начался.

3) Когда зарядка завершится, индикатор станет зеленым. Когда аккумулятор полностью зарядится, отключите зарядное устройство и извлеките аккумулятор.

ВНИМАНИЕ: когда заряд аккумулятора заканчивается после непрерывного использования или воздействия прямых солнечных лучей или тепла, дайте время для остывания перед подзарядкой для достижения полной зарядки.

Извлечение и установка аккумуляторного блока (рис. В)

ПРЕДУПРЕЖДЕНИЕ: перед извлечением или установкой аккумуляторного блока отключите устройство от сети.

1) Нажмите кнопку отсоединения аккумуляторного блока, чтобы освободить и сдвинуть, извлеките аккумулятор из вашего инструмента.

После перезарядки вставьте его обратно в разъем на задней части вентилятора до

щелчка. Простого толчка и небольшого давления будет достаточно.

Не используйте силу, когда вставляете батарейный картридж. Если картридж не задвигается без усилия, то его установка выполняется неправильно.

Ручка для переноски

Переносите вентилятор, используя верхнюю ручку (4).

Примечание: не перемещайте вентилятор до полной его остановки.

Подвесной крючок

Встроенный подвесной крючок можно использовать для подвешивания вентилятора.

ПРЕДУПРЕЖДЕНИЕ:

- *Никогда не подвешивайте аккумуляторный вентилятор на высокие места, а также на поверхности, где инструмент может потерять равновесие и упасть.*
- *Для подвешивания аккумуляторного вентилятора используйте прочные, устойчивые материалы.*

Угол регулировки направления воздушного потока

Угол головки вентилятора можно регулировать. Диапазон движения головки: от минус 45 градусов до 180 градусов. (от -45 до 180 градусов) (см. рис. С1)

Выключение вентилятора (рис. D)

Поверните ручку переключателя так, чтобы стрелка указывала на № 0, вентилятор выключится.

Переключение скорости вентилятора

Включите вентилятор, повернув ручку переключателя так чтобы стрелка указывала на №1 - низкая скорость (см. рис. E1), таким же образом можно включить и более высокие скорости №2 и №3 (см. рис. E2 и E3).

Техобслуживание и сервис

Техобслуживание и очистка

Отключите питание и извлеките аккумуляторный блок из инструмента перед выполнением регулировки или техническим обслуживанием.

- Аккумуляторный вентилятор не нуждается в обслуживании и не содержит деталей, которые должны быть заменены или подвергнуты техобслуживанию.

- Для обеспечения качественной и безопасной работы содержите электроинструмент и вентиляционные прорези в чистоте.
- **ПРЕДУПРЕЖДЕНИЕ:** Никогда не используйте растворители или другие агрессивные химикаты для очистки неметаллических частей инструмента. Эти химические вещества могут ослабить пластиковые материалы, используемые в этих деталях. Используйте ткань, смоченную только вода и мягкое мыло.
- Никогда не допускайте попадания жидкости внутрь инструмента; никогда не погружайте какую-либо часть инструмента в жидкость.
- Всегда храните свой электроинструмент в сухом месте.
- Диапазон температур окружающей среды для использования и хранения инструмента и батареи: от 0°C до +45°C.


Сервис

► Ремонт вашего электроинструмента поручайте только квалифицированному персоналу и только с применением оригинальных запасных частей. Этим обеспечивает безопасность электроинструмента. Список авторизованных сервисных центров можно посмотреть на официальном сайте P.I.T. посылке <https://pittools.ru/servises/>

Хранение и транспортировка

Храните инструмент в закрытых помещениях с естественной вентиляцией в упаковке при температуре воздуха от 0°C до +50°C и влажности воздуха не более 80%. Транспортировать продукцию можно любым видом закрытого транспорта в упаковке производителя или без нее, с сохранением изделия от механических повреждений, атмосферных осадков. Перед транспортировкой извлеките аккумулятор и сменный инструмент из инструмента.

Утилизация

 Электроинструменты, аккумуляторные батареи, принадлежности и упаковку нужно сдавать на экологически чистую рекуперацию.

Не выбрасывайте электроинструменты и аккумуляторные батареи/батареи в бытовой мусор!

РАСШИФРОВКА ДАТЫ ИЗГОТОВЛЕНИЯ ИЗДЕЛИЯ

№.

1	7	0	7	3	0	0	3	9	5
---	---	---	---	---	---	---	---	---	---

год месяц день

Дата изготовления изделия зашифрована в серийном номере, напечатанном на корпусе инструмента. Первые 2 цифры обозначают год выпуска, следующие 2 цифры – месяц и следующие 2 цифры – день.

УСЛОВИЯ ГАРАНТИЙНОГО ОБСЛУЖИВАНИЯ

1. Настоящее гарантийное свидетельство является единственным документом, подтверждающим ваше право на бесплатное гарантийное обслуживание. Без предъявления данного свидетельства претензии не принимаются. В случае утери или порчи гарантийное свидетельство не восстанавливается.

2. Гарантийный срок на электроинструмент, а также зарядные устройства и аккумуляторные батареи серии OnePower составляет 12 месяцев со дня продажи, в течение гарантийного срока сервисная служба бесплатно устраняет производственные дефекты и производит замену деталей, вышедших из строя по вине изготовителя. На период гарантийного ремонта эквивалентный исправный инструмент не предоставляется. Заменяемые детали переходят в собственность служб сервиса.

Компания P.I.T. не несет ответственности за вред, который может быть причинен при работе с электроинструментом.

3. В гарантийный ремонт инструмент принимается в чистом виде, при обязательном наличии надлежащим образом оформленных документов: настоящего гарантийного свидетельства, гарантийного талона, с полностью заполненными полями, штампом торговой организации и подписью покупателя.

4. Гарантийный ремонт не производится в следующих случаях:

- при отсутствии гарантийного свидетельства и гарантийного талона или неправильном их оформлении;
- при совместном выходе из строя якоря и статора электродвигателя, при обугливание или оплавлении первичной обмотки транс-

форматора сварочного аппарата, зарядного или пуско-зарядного устройства, при оплавлении внутренних деталей, прожиге электронных плат;

- если гарантийное свидетельство или талон не принадлежат данному электроинструменту или не соответствует установленному поставщиком образцу;

- по истечении срока гарантии;

- при попытках самостоятельного вскрытия или ремонта электроинструмента вне гарантийной мастерской;

- внесения конструктивных изменений и смазки инструмента в гарантийный период, о чем свидетельствуют, например, заломы на шлицевых частях крепежа корпусных деталей.

- при использовании электроинструмента в производственных или иных целях, связанных с получением прибыли, а также при возникновении неисправностей связанных с нестабильностью параметров электросети, превышающих нормы, установленные ГОСТ;

- при неправильной эксплуатации (использование электроинструмента не по назначению, установки на электроинструмент не предназначенных заводом-изготовителем насадок, дополнительных приспособлений и т.п.;

- при механических повреждениях корпуса, сетевого шнура и при повреждениях, вызванных воздействиями агрессивных средств и высоких и низких температур, попадании инородных предметов в вентиляционные решетки электроинструмента, а также при повреждениях, наступивших в результате неправильного хранения (коррозия металлических частей);

- при выходе из строя электродвигателя, вследствие заклинивания крыльчатки насоса.

- при естественном износе деталей электроинструмента, в результате длительной эксплуатации (определяется по признакам полной или частичной выработки ресурса, сильного загрязнения, ржавчины снаружи и внутри электроинструмента, отработанной смазки в редукторе);

- использование инструмента не по назначению, указанному в инструкции по эксплуатации.

- при механических повреждениях инструмента;

- при возникновении повреждений в связи с несоблюдением предусмотренных ин-

струкцией условий эксплуатации (см. главу «Указание по технике безопасности» в инструкции).

- повреждение изделия вследствие несоблюдения правил хранения и транспортировки.

Профилактическое обслуживание электроинструмента (чистка, промывка, смазка, замена пыльников, поршневых и уплотнительных колец) в гарантийный период является платной услугой.

Срок службы изделия составляет 3 года. Срок хранения – 2 года. Не рекомендуется к эксплуатации по истечении 2 лет хранения с даты изготовления, которая указана в серийном номере на этикетке инструмента, без предварительной проверки (определение даты выпуска смотрите ранее в Руководстве пользователя).

О возможных нарушениях, изложенных выше условий гарантийного обслуживания, владельцу сообщается после проведения диагностики в сервисном центре.

Владелец инструмента доверяет проведение диагностики в сервисном центре в свое отсутствие.

Запрещается эксплуатация электроинструмента при проявлении признаков повышенного нагрева, искрения, а также шума в редукторной части. Для выяснения причин неисправности покупателю следует обратиться в гарантийную мастерскую.

Неисправности, вызванные несвоевременной заменой угольных щеток двигателя, устраняются за счет покупателя.

5. Гарантия не распространяется на:

- сменные принадлежности (аксессуары и оснастка), например: аккумуляторы, диски, ножи, сверла, буры, патроны, цепи, звездочки, цанговые зажимы, шины, элементы натяжения и крепления, головки триммеров, подошвы шлифовальных и ленточных машин, фильтры, головки шестигранные сменные насадки и т.п.

- быстроизнашивающиеся детали, например: угольные щетки, приводные ремни, салники, защитные кожухи, направляющие ролики, направляющие, резиновые уплотнения, подшипники, зубчатые ремни и колеса, стволы, ленты тормоза, храповики и тросы стартеров, поршневые кольца и т.п.

Замена их в течение гарантийного срока является платной услугой.

- шнуры питания, в случае повреждения изоляции, шнуры питания подлежат обязатель-

ной замене без согласия владельца (услуга платная), в т.ч. корпуса инструмента.

ГАРАНТИЙНОЕ СВИДЕТЕЛЬСТВО НА ИНСТРУМЕНТ P.I.T.

Наименование изделия _____

Серийный номер изделия □□□□□□□□□□

Серийный номер зарядного устройства □□□□□□□□□□

Дата продажи « ____ » _____

Наименование торговой организации _____

Уважаемый покупатель!

М.П.

Благодарим Вас за покупку инструмента P.I.T. и надеемся, что Вы останетесь довольны своим выбором.

При необходимости обслуживания Вашего изделия обращайтесь в авторизованные сервисные центры P.I.T. Все сервисные центры представлены на сайте www.pittools.ru

Внимание!

При покупке требуйте у продавца проверки работоспособности инструмента и его комплектности, а также заполнения гарантийного свидетельства, гарантийного талона (графы «Заполняются продавцом») и простановки печати торговой организации в гарантийном свидетельстве и гарантийных талонах.

Гарантия

На основании данного гарантийного свидетельства компания P.I.T. гарантирует отсутствие дефектов производственного характера.

Если в течение гарантийного срока в Вашем изделии обнаружатся указанные дефекты, то специализированные сервисные центры P.I.T. бесплатно отремонтируют изделие и заменят дефектные запасные части.

Гарантийный срок на электроинструменты P.I.T. составляет 12 месяцев со дня продажи.

«С условиями гарантийного обслуживания ознакомлен(а). Работоспособность и комплектность изделия проверены в моем присутствии. Претензий к качеству и внешнему виду не имею».

Подпись покупателя _____ Фамилия (разборчи-
во) _____

Телефон _____

P.I.T. WARRANTY CARD

P.I.T.

№ 1

Name _____
 Product Serial Number _____
 Battery Serial Number _____
 Charger Serial Number _____
 Sale Date _____ 20__
 Date of Receipt from Repair _____ 20__

Name _____
 Product Serial Number _____
 Battery Serial Number _____
 Charger Serial Number _____
 Sale Date _____ 20__

Place of Seal

(Filled out by a Seller)
WARRANTY REPAIR CARD
 Date of Acceptance for Repair _____ 20__
 Application for Repair _____
 Customer _____
 Phone (Address) _____
 Cause of Application _____
 Date of Receipt from Repair _____ 20__
 The Tool is checked in my presence _____
 (The Order shall be performed in a Service Center) (Signature)

P.I.T.

№ 2

Name _____
 Product Serial Number _____
 Battery Serial Number _____
 Charger Serial Number _____
 Sale Date _____ 20__
 Date of Receipt from Repair _____ 20__

Name _____
 Product Serial Number _____
 Battery Serial Number _____
 Charger Serial Number _____
 Sale Date _____ 20__

Place of Seal

(Filled out by a Seller)
WARRANTY REPAIR CARD
 Date of Acceptance for Repair _____ 20__
 Application for Repair _____
 Customer _____
 Phone (Address) _____
 Cause of Application _____
 Date of Receipt from Repair _____ 20__
 The Tool is checked in my presence _____
 (The Order shall be performed in a Service Center) (Signature)

P.I.T.

№ 3

Name _____
 Product Serial Number _____
 Battery Serial Number _____
 Charger Serial Number _____
 Sale Date _____ 20__
 Date of Receipt from Repair _____ 20__

Name _____
 Product Serial Number _____
 Battery Serial Number _____
 Charger Serial Number _____
 Sale Date _____ 20__

Place of Seal

(Filled out by a Seller)
WARRANTY REPAIR CARD
 Date of Acceptance for Repair _____ 20__
 Application for Repair _____
 Customer _____
 Phone (Address) _____
 Cause of Application _____
 Date of Receipt from Repair _____ 20__
 The Tool is checked in my presence _____
 (The Order shall be performed in a Service Center) (Signature)

ГАРАНТИЙНЫЙ ТАЛОН P.I.T.

P.I.T.

Талон № 1

Наименование _____

Серийный номер _____

Дата продажи « ____ » _____ 20__ Place of Seal

(Заполняется продавцом)

КАРТА ГАРАНТИЙНОГО РЕМОНА

Дата приема на ремонт _____ 20__

Заявка на ремонт _____

Заказчик _____

Телефон (адрес) _____

Причина обращения _____

Дата получения с ремонта _____ 20__

Инструмент проверен в моем присутствии _____

(Заказ заполняется в Сервисном Центре) (Подпись)

Наименование _____
 Серийный номер _____
 Дата продажи _____ 20__
 Дата получения с ремонта _____ 20__

P.I.T.

Талон № 2

Наименование _____

Серийный номер _____

Дата продажи « ____ » _____ 20__ Place of Seal

(Заполняется продавцом)

КАРТА ГАРАНТИЙНОГО РЕМОНА

Дата приема на ремонт _____ 20__

Заявка на ремонт _____

Заказчик _____

Телефон (адрес) _____

Причина обращения _____

Дата получения с ремонта _____ 20__

Инструмент проверен в моем присутствии _____

(Заказ заполняется в Сервисном Центре) (Подпись)

Наименование _____
 Серийный номер _____
 Дата продажи _____ 20__
 Дата получения с ремонта _____ 20__

P.I.T.

Талон № 3

Наименование _____

Серийный номер _____

Дата продажи « ____ » _____ 20__ Place of Seal

(Заполняется продавцом)

КАРТА ГАРАНТИЙНОГО РЕМОНА

Дата приема на ремонт _____ 20__

Заявка на ремонт _____

Заказчик _____

Телефон (адрес) _____

Причина обращения _____

Дата получения с ремонта _____ 20__

Инструмент проверен в моем присутствии _____

(Заказ заполняется в Сервисном Центре) (Подпись)

Наименование _____
 Серийный номер _____
 Дата продажи _____ 20__
 Дата получения с ремонта _____ 20__



www.pit-tools.com

P.I.T.

Поставщик / производитель: Xinjiang Longbo Industrial Co., Ltd./Синьцзян Лонгбо Индастриал Ко., Лтд.

Адрес производства: Rm. 602, 6th Floor, No. 531, Weixing Road, Economic And Technological Development Zone, Urumqi, Xinjiang, China / Оф.602, 6 этаж, №531, Вейшинг Род, Экономик Энд Технолоджикал Девелопмент Зон, Урумчи, Синьцзян, Китай

Импортер/ организация, уполномоченная принимать претензии: ООО «Турбо-Тулс»

Юридический адрес: 117246, г. Москва, ул. Херсонская, 43 - 670

Вопросы и предложения направляйте по адресу: 614058, г. Пермь, ул. Фоминская, 36

Горячая линия по сервисному обслуживанию:



***2445**

Звонок с мобильного
бесплатный

info@pittools.ru

Сделано в КНР / Made in China

EAC